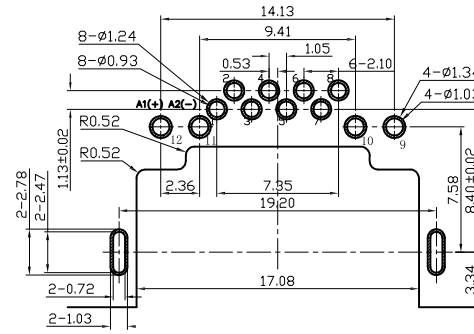
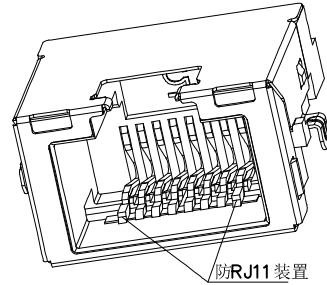
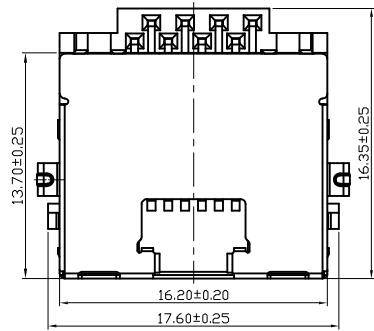
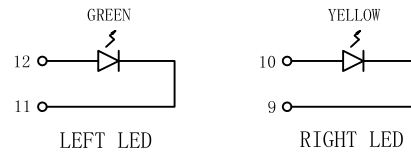
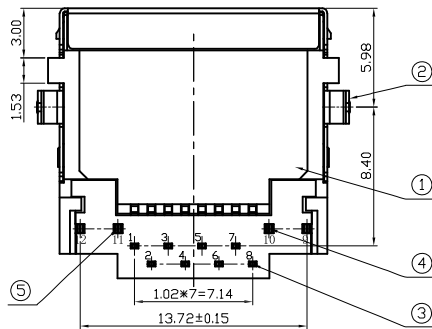
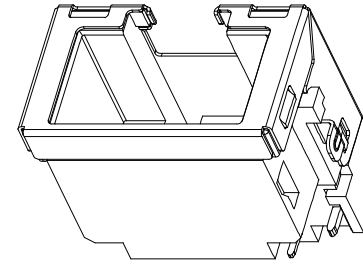
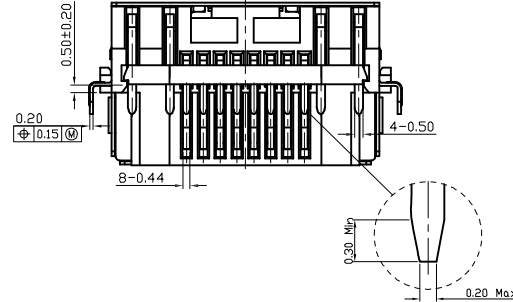
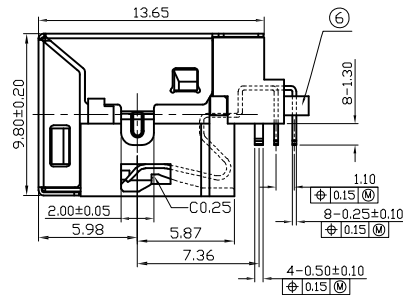
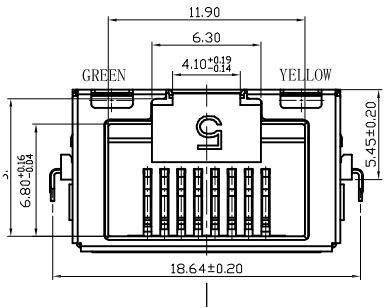
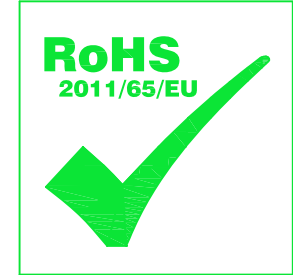


Mechanical:

REV.	ECN NO.	DESCRIPTION	DATE	APPD
A	REL		2020/12/22	



RECOMMENDED P.C.B LAYOUT
COMPONENT SIDE (t=1.2mm tol:±0.05)



Emitting Color	λ_p (nm)	V _F @ I _F =20mA	I _R @ V _R =5V
GREEN	565	1.8~2.6V	10 μ A max
YELLOW	585	1.8~2.6V	10 μ A max

ITEM	PART	Q'TY	PART No.	MATERIAL	COLOR/PLATED/NOTE
1	HOUSING	1		LCP	UL94 V-0 ,BALCK
2	SHELL	1		C2680	Ni 40u" ~60u"
3	CONTACT	8		C5191	Au(1~3u") on contact area, matie Tin 120u" on solder all over 50u" Ni
4	LED1	1		EPOXY RESIN	yellow
5	LED2	1		EPOXY RESIN	green
6	COVER	1		LCP	UL94 V-0, BLACK

X:X	±0.30	APPD:	LINK-PP INT'L TECHNOLOGY CO., LIMITED
X:XX	±0.25	CHKD:	
X:XXX	±0.05	DR: TOM	TITLE: RJ45 Single Port Connector. THT
ANGLES	±1°	UNIT: mm	PART NO.: LPJE4733BHNL
	SCALE: 2/1	SHEET: 1/2	REV: A
			DWG: LP20122202