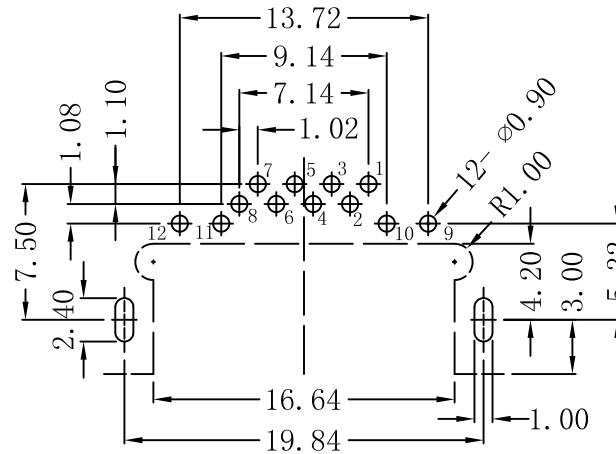
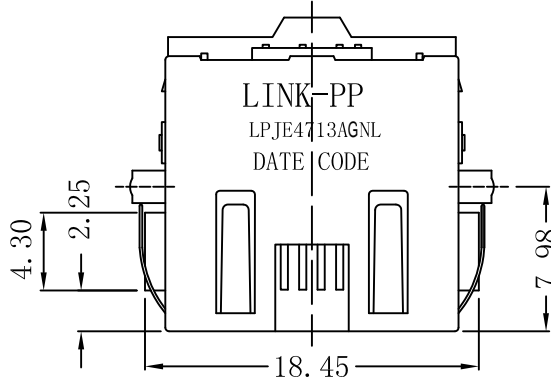
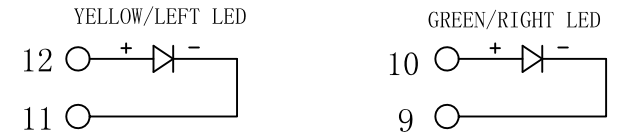
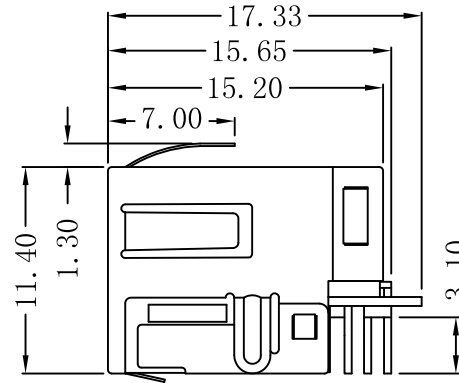
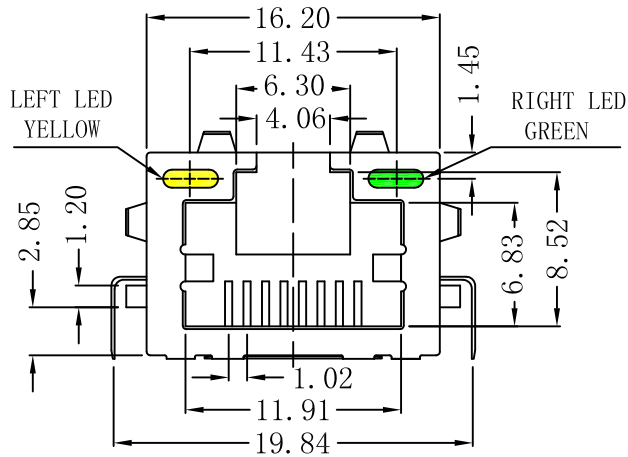


# Mechanical:

REV.	ECN NO.	DESCRIPTION	DATE	APPD
A	REL		2010/05/31	



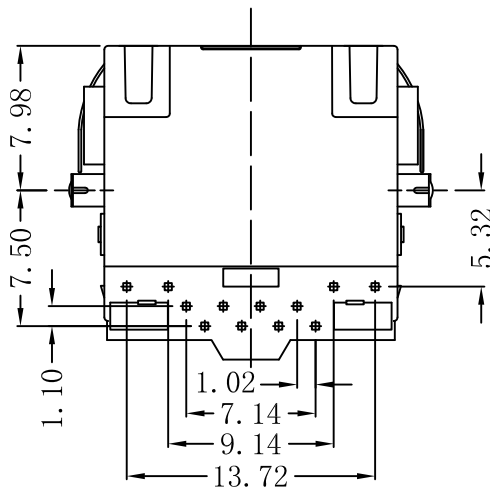
SUGGESTED PCB LAYOUT (TOP VIEW)

### PCB JACK Electrical:

1. Insulation Resistance:  
500 Megohms Min@500VDC.
2. Dielectric Strength:  
1000VAC RMS 50Hz 1Min.
3. Operating: 750 Cycles Min.
4. Plating Gold Thickness:  
Gold Flash/1.5u"/3u"/6u"/15u"  
/30u"/50u"

### Environmental:

1. Temperature Range: -45°C ~ +85°C.



TEL: 86-755-29079263

FAX: 86-755-29075755

X:X	±0.20	APPD:	LINK-PP INT'L TECHNOLOGY CO., LIMITED	
X:XX	±0.10	CHKD:		
X:XXX	±0.05	DR: TOM	Title: RJ45 Connector - THT	
ANGLES	±1°	UNIT: mm	PART NO.: LPJE4713AGNL	
	SCALE: 2/1	SHEET: 1/1	REV: A	DWG: LP10053118