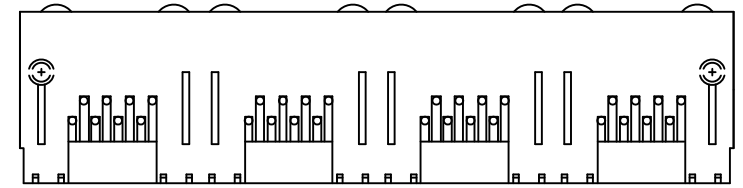
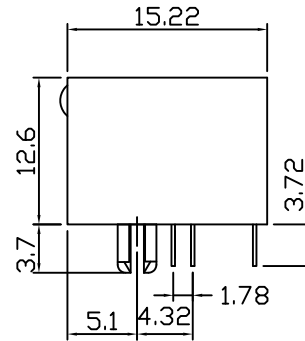
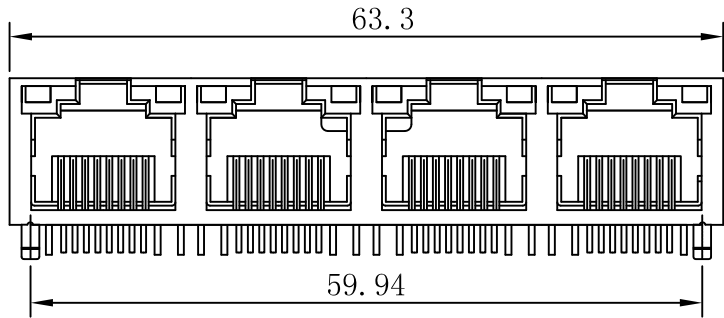


Mechanical:

REW.	ECN NO.	DESCRIPTION	DATE	APPD
A	REL		2015-05-21	



NOTES:

Electrical:

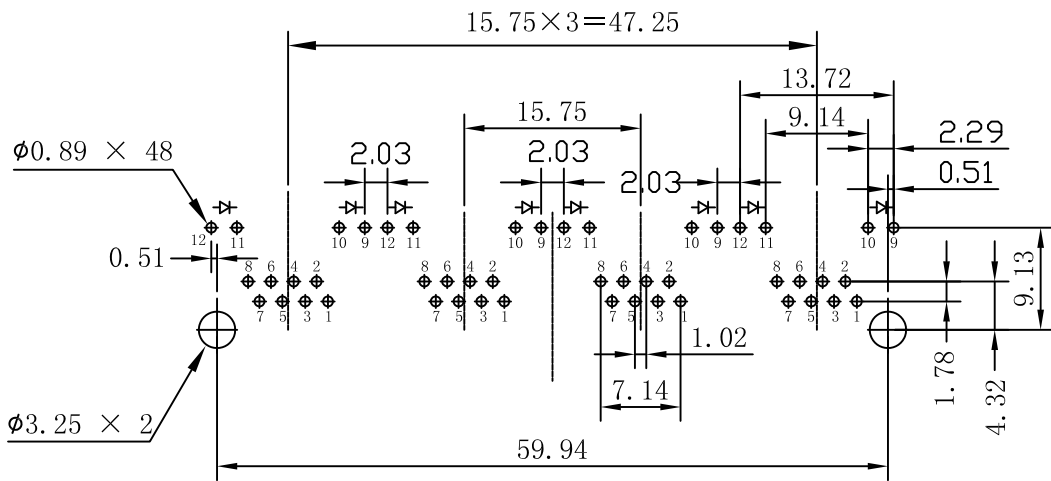
1. Voltage rating : 125 VAC RMS
2. Current Rating : 1.5 AMP
3. Contact resistance : 50 mΩ Max
4. Insulation resistance : 500 MΩ Min @500V DC
5. Dielectric strength : 1500 VAC RMS 60Hz, 1MIN.

MECHANICAL:

1. Housing & Insert Material : PBT UL94V-0.
2. Contact Material : Diameter 0.46mm Phosphor Bronze  
Gold Plating Over Nickel.
3. Operating Life : 750 Cycles Min.

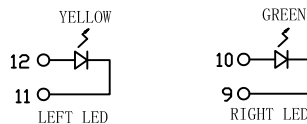
ENVIRONMENTAL:

1. Storage : -40°C ~ +85°C
2. Operation : -40°C ~ +85°C.
3. Wave solder temperature : 250°C, 5 Sec.
4. UL Certification : File Number E321120.



PC Board Layout (Top View)  
Component Side Shown

Emitting Color	λp(nm)	V <sub>F</sub> @I <sub>F</sub> =20mA	I <sub>R</sub> @V <sub>R</sub> =5V
GREEN	565	1.8~2.6V	10 μA max
YELLOW	585	1.8~2.6V	10 μA max



X:X	±0.30	APPD:	LINK-PP INT'L TECHNOLOGY CO., LIMITED	
X:XX	±0.25	CHKD:	TITLE: 1×4 Ports RJ45 Connector	
X:XXX	±0.05	DR: TOM	PART NO.: LPJE401NGNL	
ANGLES	±1°	UNIT: mm	DWG NO.: LP10010410	
	SCALE: 1/1	SHEET: 1/1	REV: A	