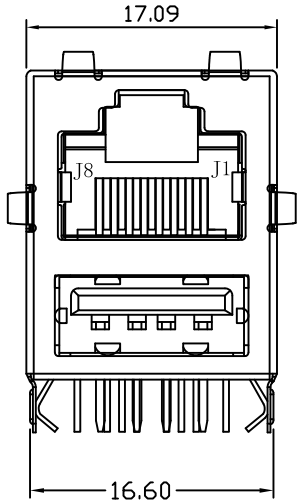
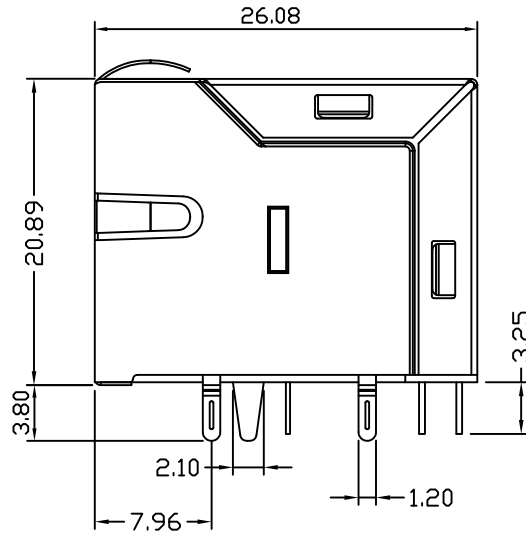


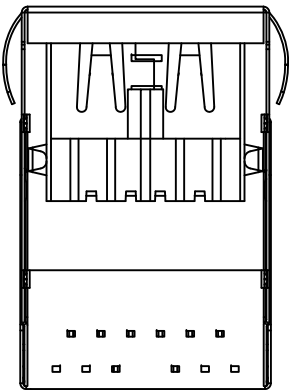
Mechanical:



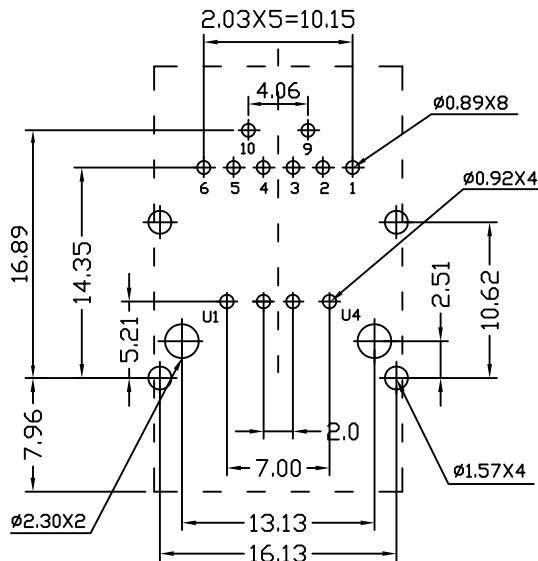
Front Side View



Left Side View



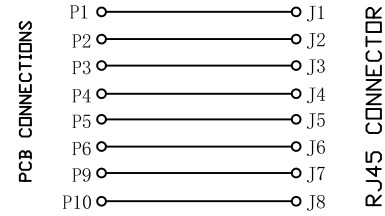
Bottom Side View



Suggested PCB Layout (Top View)

REV.	ECN NO.	DESCRIPTION	DATE	APPD
A	REL		2015-05-21	

Schematic:



NOTES:Electrical:

1. Voltage:125VAC RMS.
2. Current Rating:1.5A.
3. Contact Resistance:30 Millohms max.
4. Insulation Resistance:500 Megohms Min @500VDC.
5. Dielectric Strength:1000VAC RMS 50Hz 1Min.
6. RJ-45 Contact plating: Gold 6 micro-inches min.
In contact area
USB Contact plating: Gold flash
7. Gold Plating: Gold Flash
8. Wave solder temperture: 230°C to 250°C, 5~10 Sec.
9. UL Certification: File Number E484635.

MECHANICAL:

1. Housing Material:Glass Filled Polyester UL94V-0.
 2. Contact Material:Phosphor Bronze ϕ 0.45mm.
 3. Plating:Gold Plating Over Nickel.
 4. Operating:750 Cycles Min.
 5. Shield 0.23mm Thickness Copper Alloy With Nickel Plated.
 6. PCB Retention Pre-Solder:1 LB Min.
- Environmental:
1. Temperature Range:-45°C~+85°C.
 2. Relative Humidity:90~95%(40±2°C)

PART NO: LPJE306XCNL

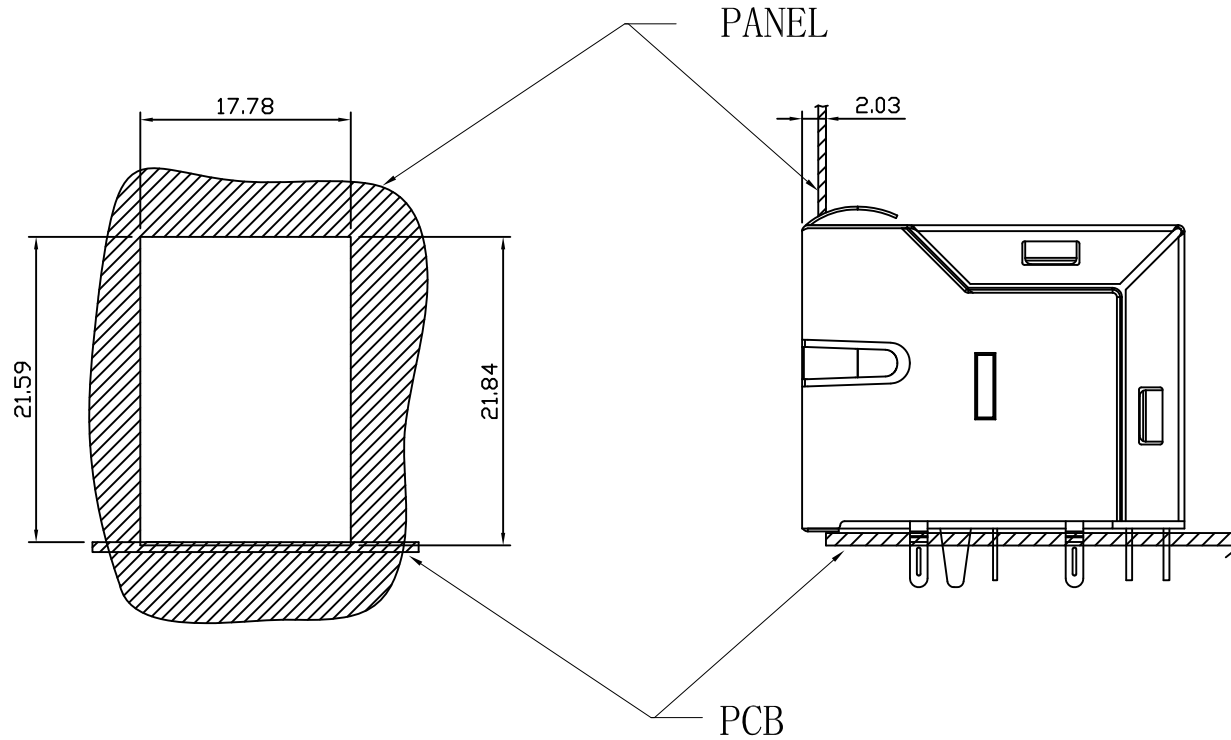
- Gold Plated
- 0: Gold Flash
 - 1: 1.5u"
 - 2: 3u"
 - 3: 6u"
 - 4: 15u"
 - 5: 30u"
 - 6: 50u"



X:X	±0.30	APPD:	LINK-PP INT'L TECHNOLOGY CO., LIMITED	
X:XX	±0.25	CHKD:	TITLE:	
X:XXX	±0.05	DR: SEA	RJ45 Connector with Single USB Combo	
ANGLES	±1°	UNIT: mm	PART NO.: LPJE3060CNL	
	SCALE: 2/1	SHEET: 1/2	REV: A	DWG NO.: LP15050511

Suggested Panel Opening

REV.	ECN NO.	DESCRIPTION	DATE	APPD
A	REL		2015-05-21	



NOTE:

The distance of panel inside surface relative to front surface of part is only A suggestion. In case this distance is different, The required panel opening dimensions change accordingly.



X:X	±0.30	APPD:	LINK-PP INT'L TECHNOLOGY CO., LIMITED	
X:XX	±0.25	CHKD:	TITLE:	
X:XXX	±0.05	DR: SEA	RJ45 Connector with Single USB Combo	
ANGLES	±1°	UNIT: mm	PART NO. : LPJE3060CNL	
	SCALE: 2/1	SHEET: 2/2	REV: A	DWG NO. : LP15050511