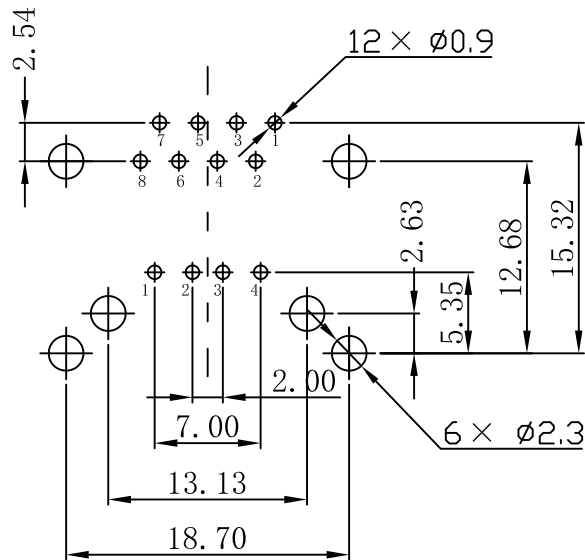
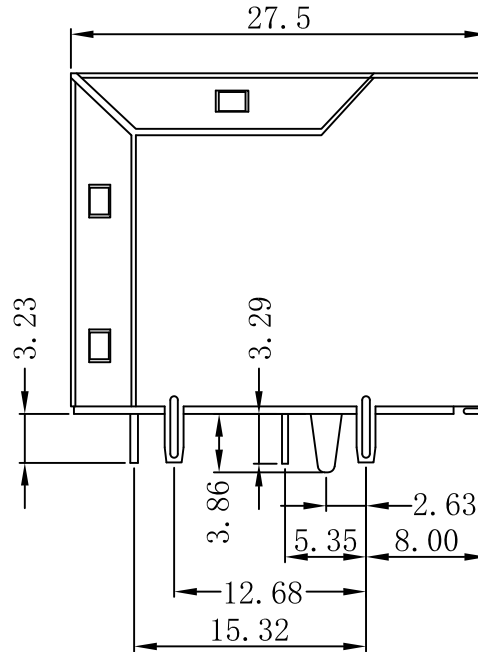
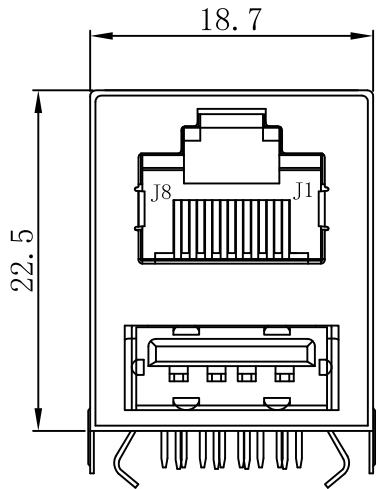


Mechanical:

| REV. | ECN NO. | DESCRIPTION | DATE | APPD |
|------|---------|-------------|------------|------|
| A | REL | | 2013/09/05 | |



SUGGESTED PCB LAYOUT(TOP VIEW)



NOTES:Electrical:

1. Voltage:125VAC RMS.
2. Current Rating:1.5A.
3. Contact Resistance:30 Millohms max.
4. Insulation Resistance:500 Megohms Min @500VDC.
5. Dielectric Strength:1000VAC RMS 50Hz 1Min.
6. RJ-45 Contact plating: Gold 6 micro-inches min.
In contact area
USB Contact plating: Gold flash
7. Gold Plating: (Gold Flash;1.5;3;6;15;30;50)U" Inch
8. Wave solder temperture: 230°C to 250°C, 5~10 Sec.

MECHANICAL:

1. Housing Material:Glass Filled Polyester UL94V-0.
2. Contact Material:Phosphor Bronze ϕ 0.45mm.
3. Plating:Gold Plating Over Nickel.
4. Operating:750 Cycles Min.
5. Shield 0.23mm Thickness Copper Alloy With Nickel Plated.

6. PCB Retention Pre-Solder:1 LB Min.

Environmental:

1. Temperature Range:-45°C ~+85°C.
2. Relative Humidity:90~95%(40±2°C)

| | | | |
|-------------|------------|---------------------------------------|----------------------------|
| X:X ±0.30 | APPD: | LINK-PP INT'L TECHNOLOGY CO., LIMITED | |
| X:XX ±0.25 | CHKD: | TITLE: RJ45/Single USB Jack | |
| X:XXX ±0.05 | DR: TOM | PART NO.: LPJE305DNL | |
| ANGLES ±1° | UNIT: mm | | |
| | SCALE: 2/1 | SHEET: 1/1 | REV: A DWG NO.: LP13090512 |