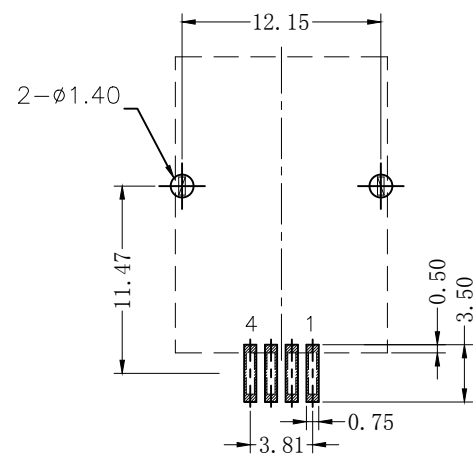
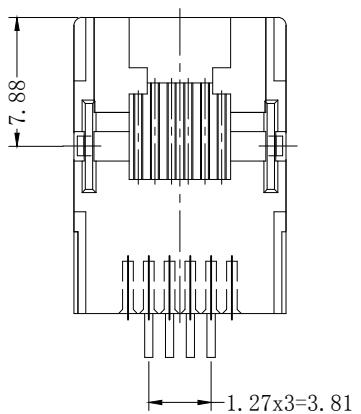
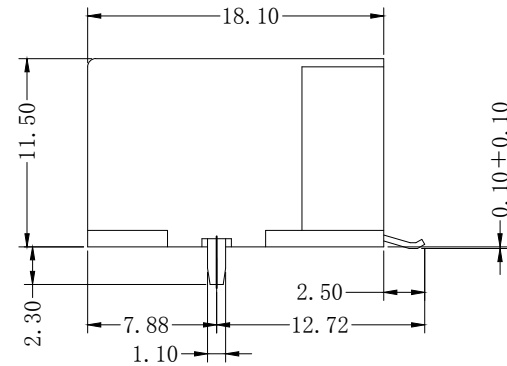
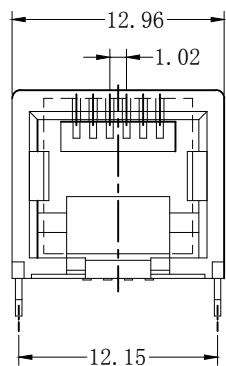


Mechanical:

REV.	ECN NO.	DESCRIPTION	DATE	APPD
A	REL		2022/12/23	



PC Board Layout

Electrical:

- 1. Voltage Rating: 125 Vac Rms.
- 2. Current Rating: 4.5 Amp.
- 3. Contact Resistance: 40 Milliohms Max.

Mechanical:

- 1. Operating: 750 Cycles Min.

Environmental:

- 1. Storage: -40° C To +85° C.
- 2. Operation: -20° C To +75° C.

Mates With Modular Plug Conforming To FCC Part 68, Subpart F.

MATERIALS:

PLASTIC HOUSING: HIGH TEMP. THERMOPLASTIC
 FLAMMABILITY RATING UL 94V-0.

CONTACTS: PHOSPHOR BRONZE

PLATING: GOLD PLATING OVER NICKEL IN CONTACT.

TIN PLATING OVER NICKEL IN SOLDER AREA.

SOLDER PADER: BRASS PLATING NICKEL ALLOY.

UL Certification: File Number E484635.



X:X ±0.30	APPD:	LINK-PP INT'L TECHNOLOGY CO., LIMITED
X:XX ±0.25	CHKD:	
X:XXX ±0.05	DR: LEO	TITLE: RJ12 1X1 6P4C SMT Pin Less Shielded Connector
ANGLES ±1°	UNIT: mm	PART NO.: LPJE26041NNL
	SCALE: 2/1	SHEET: 1/1
	REV: A	DWG NO.: LP22122301