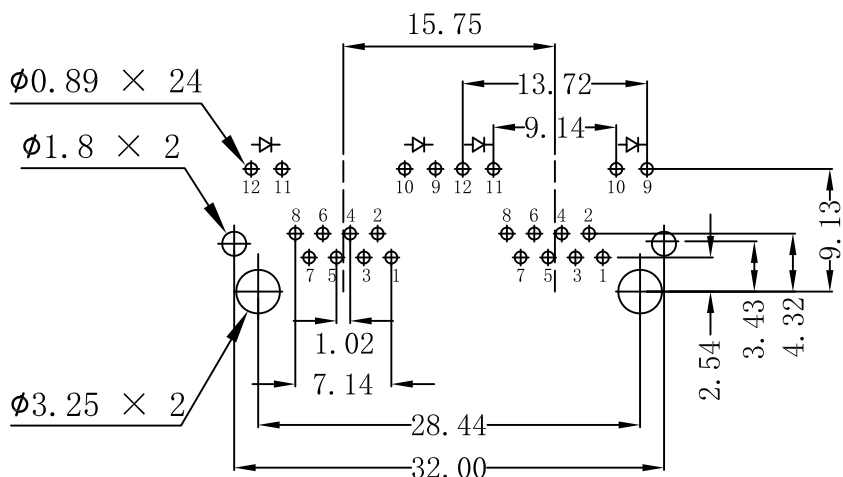
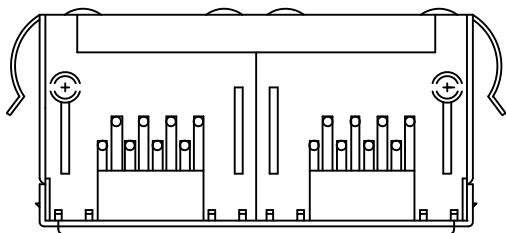
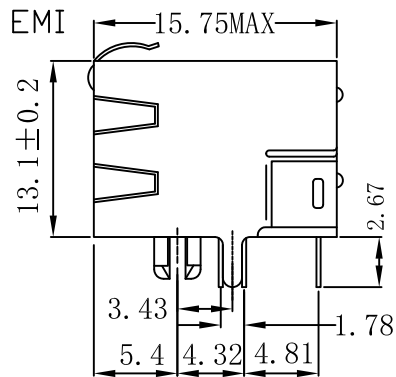
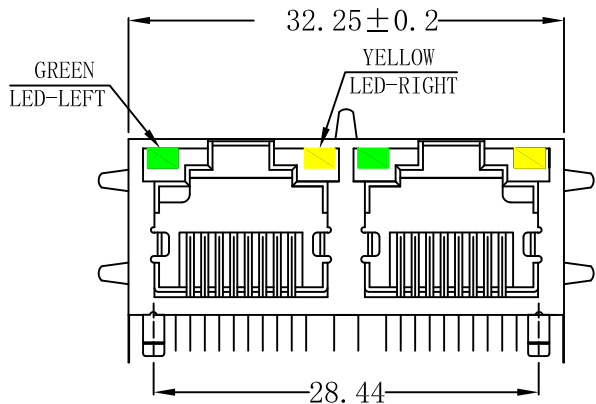


Mechanical:



PC Board Layout (TOP VIEW)  
Component Side Shown

REW.	ECN NO.	DESCRIPTION	DATE	APPD
A	REL		26/08/2009	

NOTES:

MATERIAL:

1. HOUSING MATERIAL : GLASS FILLED POL YESTER UL94V-0.
2. CONTACT MATERIAL : PHISPHOR B RONZE  $\phi 0.46$ MM.
3. PLATING : GOLD PLATING OVER NICKEL.
4. SHIEL : 0.20 THICKNESS COPPER ALLOY WITH NICKEL PLATED.

ELECTRICAL:

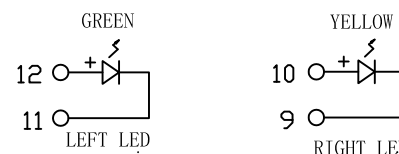
1. VOLTAGE RATING : 125 VAC RMS.
2. CURRENT RATING : 1.5 AMP.
3. CONTACT RESISTANCE : 30 MILLIOHMS MAX.
4. INSULATION RESISTANCE : 500 MEGOHMS MIN @ 500V DC.
5. DIELECTRIC WITHSTANDING RESISTANCE : 1500V AC RMS 50Hz. 1MIN

MECHANICAL:

1. DURRABILITY : 750 CYCLES MIN.
2. PCB RETENTION PRE-SOLDER : 1 LB MIN.

ENVIRONMENTAL:

1. STORAGE :  $-40^{\circ}\text{C} \sim +85^{\circ}\text{C}$
2. OPERATION :  $-40^{\circ}\text{C} \sim +85^{\circ}\text{C}$



Emitting Color	$\lambda$ p(nm)	VF@IF=20mA	IR @VR=5V
GREEN	565	1.8~2.6V	10 $\mu$ A max
YELLOW	585	1.8~2.6V	10 $\mu$ A max

LPJE201XAHNL

Gold Plating	"X"
Gold Flash	0 <input type="checkbox"/>
1.5u"	1 <input type="checkbox"/>
3u"	2 <input type="checkbox"/>
6u"	3 <input type="checkbox"/>
15u"	4 <input type="checkbox"/>
30u"	5 <input type="checkbox"/>
50u"	6 <input checked="" type="checkbox"/>

X:X	$\pm 0.25$	APPD:	LINK-PP INT'L TECHNOLOGY CO., LIMITED	
X:XX	$\pm 0.20$	CHKD:	TITLE:	
X:XXX	$\pm 0.05$	DR: TOM	SIDE ENTRY PCB JACK WITH SHIELD	
ANGLES	$\pm 1^{\circ}$	UNIT: mm	PART NO.:	LPJE2016AHNL
	SCALE: 1/1	SHEET: 1/1	REV: A	DWG NO.: LP09082619