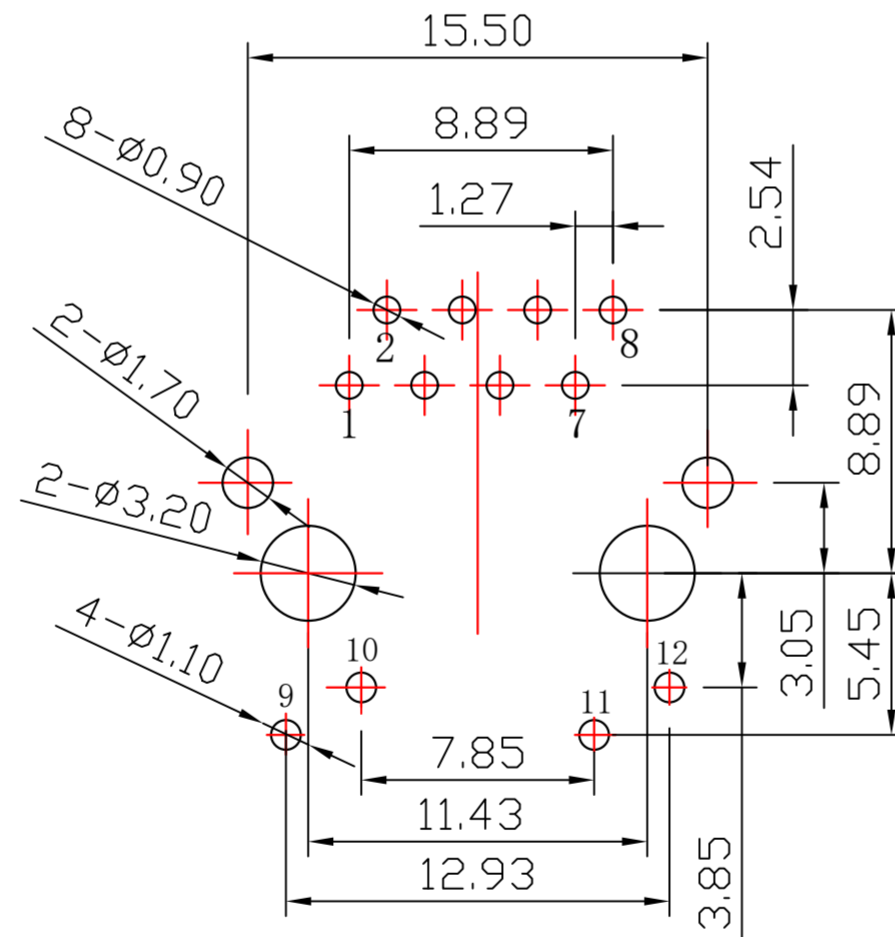
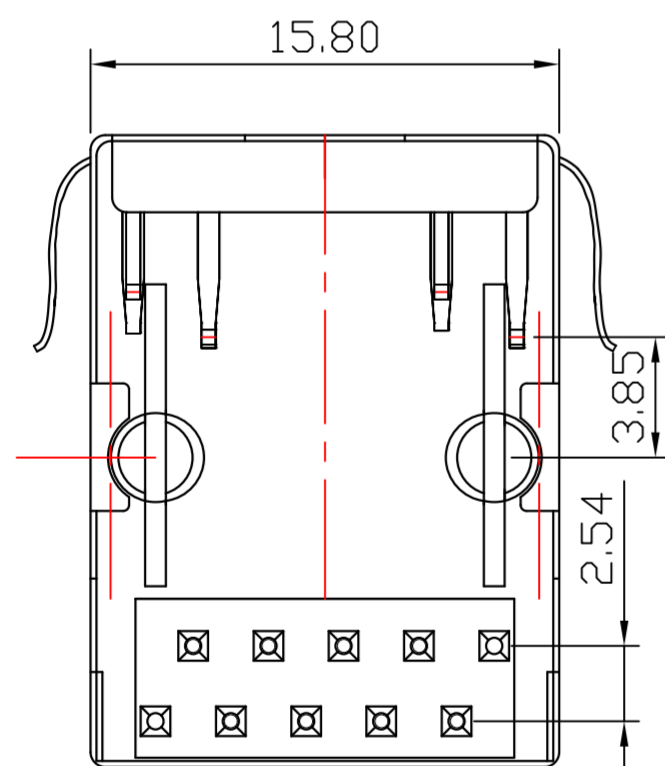
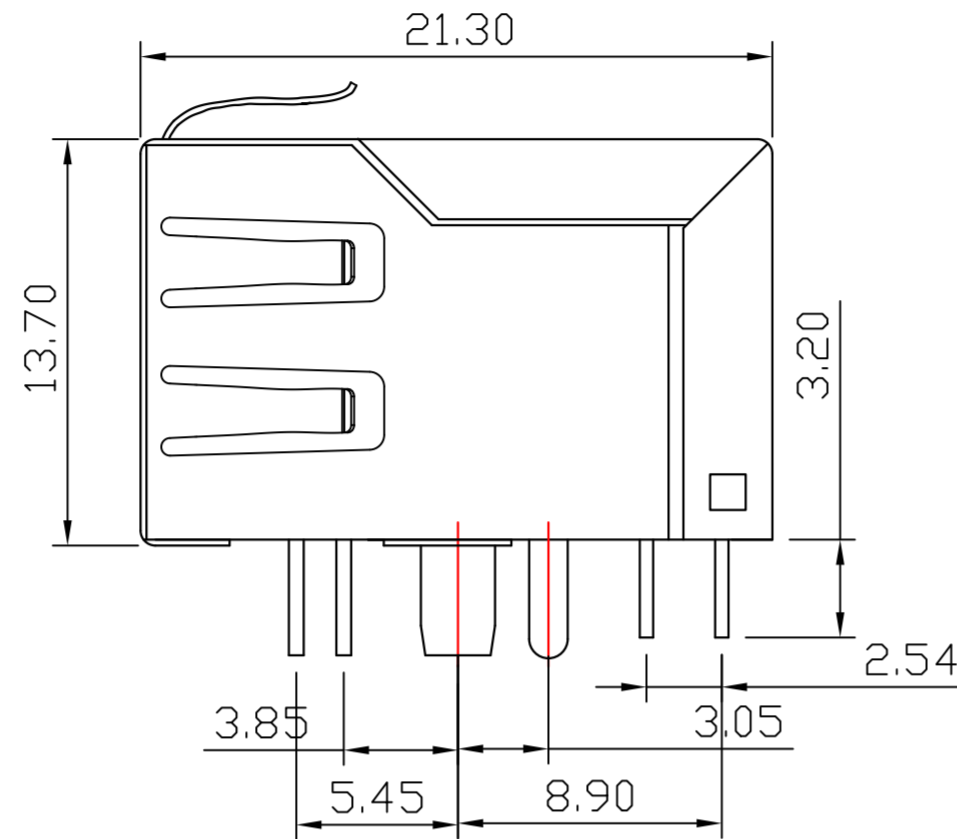
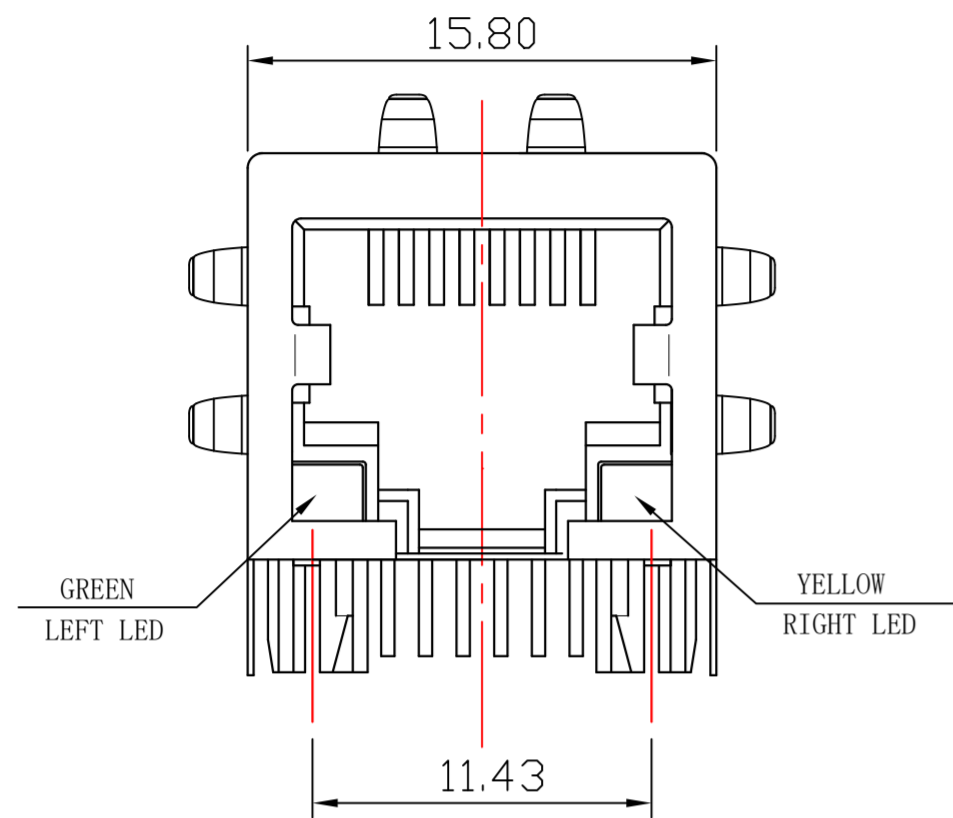


# Mechanical:

| REV. | ECN NO. | DESCRIPTION | DATE      | APPD |
|------|---------|-------------|-----------|------|
| A    | REL     |             | 2015-7-11 |      |



PC Board Layout



## NOTES:

### Electrical:

1. Voltage rating : 125 VAC RMS
2. Current Rating : 1.5 AMP
3. Contact resistance : 50 m $\Omega$  Max
4. Insulation resistance : 500 M $\Omega$  Min @500V DC
5. Dielectric strength : 1500 VAC RMS 60Hz, 1MIN.

### MECHANICAL:

1. Housing & Insert Material : PBT UL94V-0.
2. Contact Material : Phospor bronze T=0.35mm
3. Shield : 0.20-0.25mm Thickness Brass With Tin Plated
4. Operating Life : 750 Cycles Min.

### ENVIRONMENTAL:

1. Storage : -40 $^{\circ}$ C ~ +85 $^{\circ}$ C
2. Operation : -40 $^{\circ}$ C ~ +85 $^{\circ}$ C.
3. Wave solder temperature : 250 $^{\circ}$ C, 5 Sec.
4. UL Certification : File Number E484635.



| Emitting Color | $\lambda_p$ (nm) | VF@IF=20mA | IR @VR=5V      |
|----------------|------------------|------------|----------------|
| GREEN          | 565              | 1.8~2.6V   | 10 $\mu$ A max |
| YELLOW         | 585              | 1.8~2.6V   | 10 $\mu$ A max |

|        |                 |             |                                       |
|--------|-----------------|-------------|---------------------------------------|
| X:X    | $\pm 0.30$      | APPD: TOM   | LINK-PP INT'L TECHNOLOGY CO., LIMITED |
| X:XX   | $\pm 0.25$      | CHKD: JAMES |                                       |
| X:XXX  | $\pm 0.05$      | DR: LEO     | TITLE: RJ45 1*1 Connector             |
| ANGLES | $\pm 1^{\circ}$ | UNIT: mm    | PART NO.: LPJE160ABNL                 |
|        | SCALE: 2/1      | SHEET: 1/1  | REV: A                                |
|        |                 |             | DWG NO.: LP15071120                   |