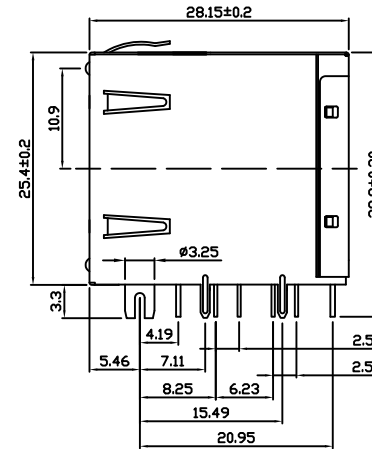
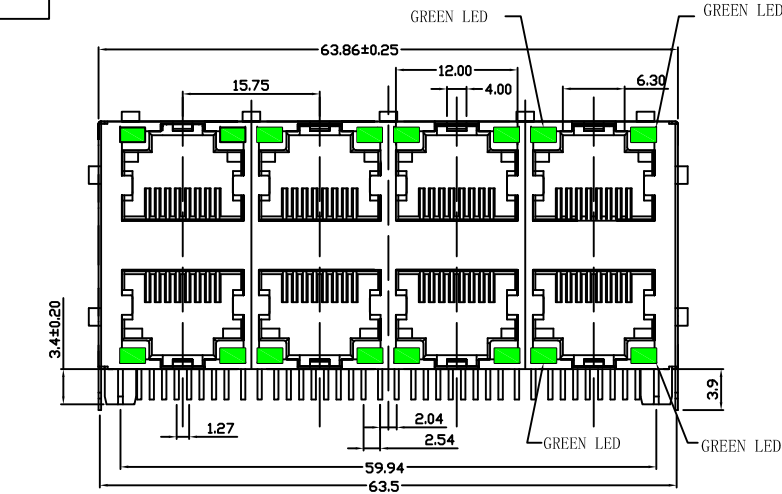


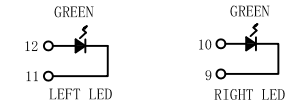
Mechanical:

REV.	ECN NO.	DESCRIPTION	DATE	APPD
A	REL		16/07/2009	

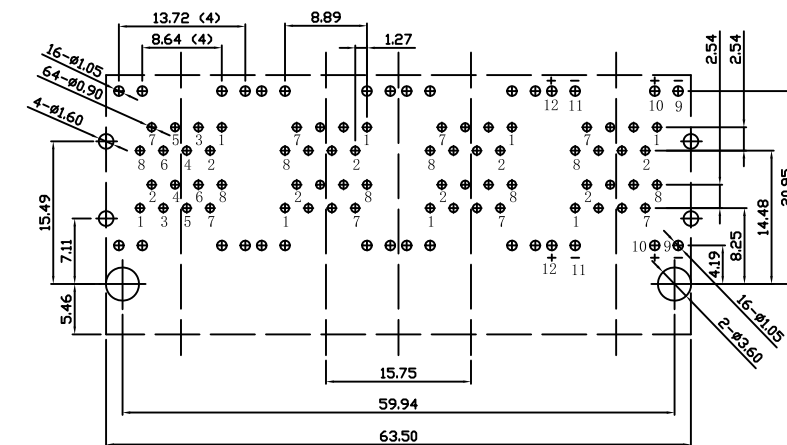
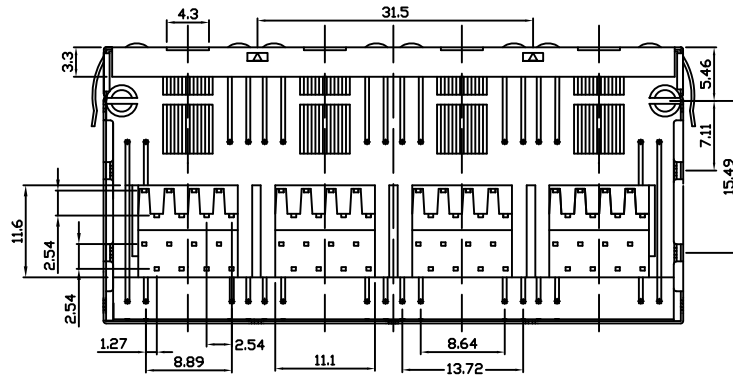


LPJE108XAWN

Gold Plating	"X"
Gold Flash	0 <input type="checkbox"/>
1.5u"	1 <input type="checkbox"/>
3u"	2 <input type="checkbox"/>
6u"	3 <input type="checkbox"/>
15u"	4 <input type="checkbox"/>
30u"	5 <input type="checkbox"/>
50u"	6 <input type="checkbox"/>



Emitting Color	λ p(nm)	VF@IF=20mA	IR @VR=5V
GREEN	565	1.8~2.6V	10 μ A max



SUGGESTED PCB LAYOUT(TOP VIEW)

NOTES: MECHANICAL:

- HOUSING MATERIAL : GLASS FILLED POLYESTER OR HIGH TEMP. UL94V-0.
- CONTACT MATERIAL : PHOSPHOR BRONZE t=0.35mm.
- PLATING : CONTACT AREA-SELECTIVE GOLD PLATING. TAILS-PLATED TIN OVER NICKEL.
- OPERATING LIFE : 750 CYCLES MIN
- PCB RETENTION PRE-SOLDER : 1 LB MIN
- PCB RETENTION POST-SOLDER : 10 LBS MIM
- LED SIZE : 3.2*2.0*4.0*P=2.29mm

ELECTRICAL:

- VOLTAGE RATING : 125VAC RMS.
- CURRENT RATING : 1.5AMP.
- CONTACT RESISTANCE : 50 MILLIOHMS MAX.
- INSULATION RESISTANCE : 1000MEG OHMS MIN @ 500V DC.
- DIELECTRIC STRENGTH : 1000V AC RMS 60Hz. 1MIN.

ENVIRONMENTAL:

- STORAGE : -40°C ~ +85°C.
- OPERATION : -40°C ~ +85°C.

MATES WITH MODULAR PLUG CONFORMING TO FCC PART 68, SUBPART F.



X:X ±0.30	APPD:	LINK-PP INT'L TECHNOLOGY CO., LIMITED
X:XX ±0.25	CHKD:	
X:XXX ±0.05	DR: TOM	TITLE: SIDE ENTRY PCB JACK WITH SHIELD
ANGLES ±1°	UNIT: mm	PART NO.: LPJE108XAWN
	SCALE: 2/1	SHEET: 1/1
	REV: A	DWG NO.: LP09071622