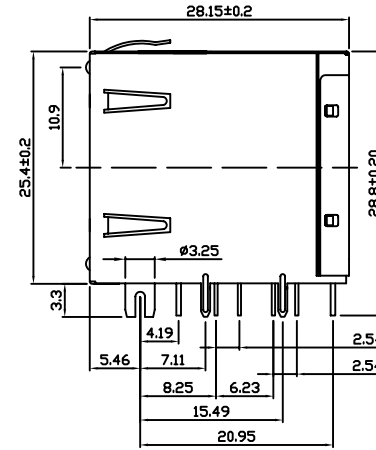
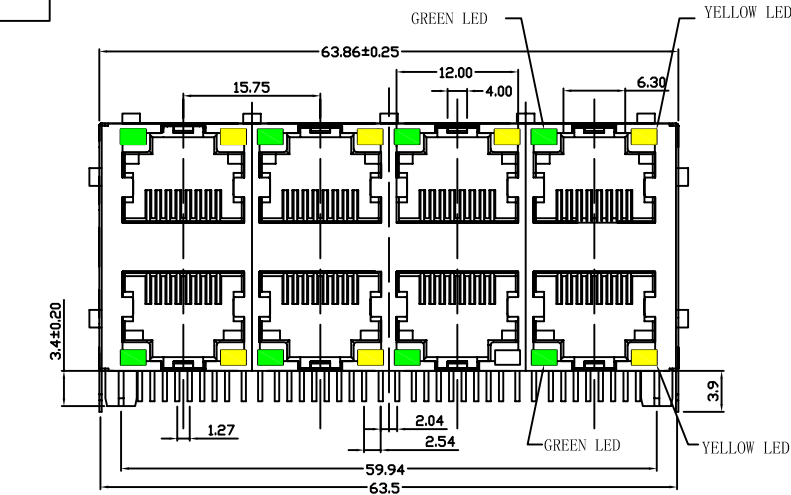


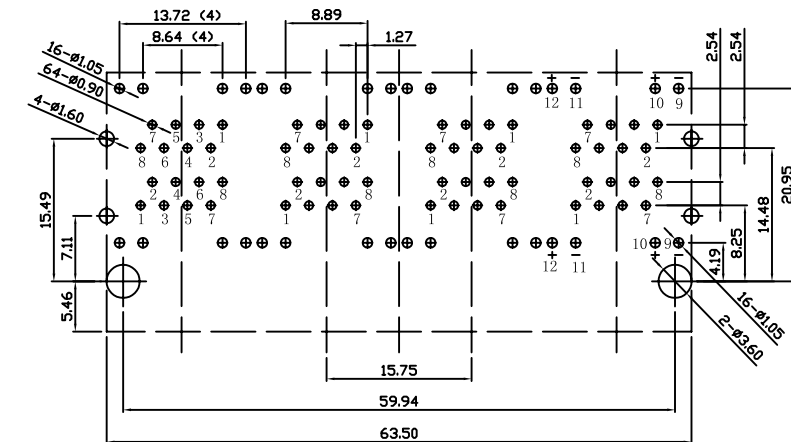
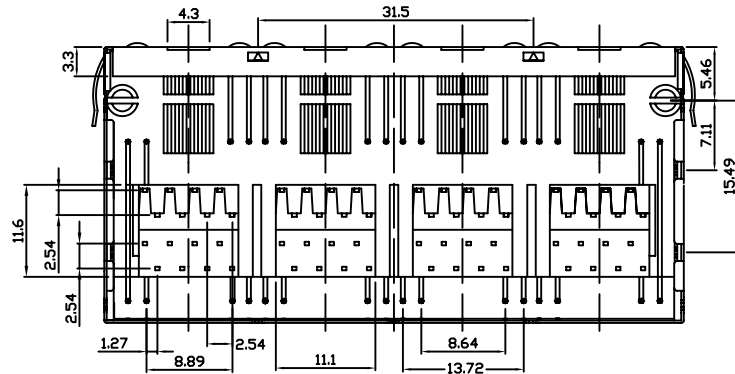
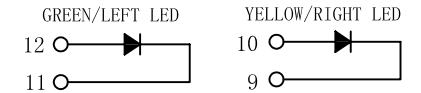
# Mechanical:

REV.	ECN NO.	DESCRIPTION	DATE	APPD
A	REL		16/07/2009	



LPJE108XAHNL

Gold Plating	"X"
1.5U"	1
3U"	2
6U"	3
15U"	4
30U"	5
50U"	6



SUGGESTED PCB LAYOUT (TOP VIEW)

## NOTES:

### MACHANICAL:

- HOUSING MATERIAL : GLASS FILLED POLYESTER OR HIGH TEMP. UL94V-0.
- CONTACT MATERIAL : PHOSPHOR BRONZE t=0.35mm.
- PLATING : CONTACT AREA-SELECTIVE GOLD PLATING. TAILS-PLATED TIN OVER NICKEL.
- OPERATING LIFE : 750 CYCLES MIN
- PCB RETENTION PRE-SOLDER : 1 LB MIN
- PCB RETENTION POST-SOLDER : 10 LBS MIM
- LED SIZE : 3.2\*2.0\*4.0\*P=2.29mm

### ELECTRICAL:

- VOLTAGE RATING : 125VAC RMS.
- CURRENT RATING : 1.5AMP.
- CONTACT RESISTANCE : 50 MILLIOHMS MAX.
- INSULATION RESISTANCE : 1000MEG OHMS MIN @ 500V DC.
- DIELECTRIC STRENGTH : 1000V AC RMS 60Hz. 1MIN.

### ENVIRONMENTAL:

- STORAGE : -40°C ~ +85°C.
- OPERATION : -40°C ~ +85°C.

MATES WITH MODULAR PLUG CONFORMING TO FCC PART 68, SUBPART F.



X:X ±0.20	APPD:	LINK-PP INT'L TECHNOLOGY CO., LIMITED		
X:XX ±0.10	CHKD:	TITLE: SIDE ENTRY PCB JACK WITH SHIELD		
X:XXX ±0.05	DR: TOM	PART NO.: LPJE108XAHNL		
ANGLES ±1°	UNIT: mm			
	SCALE: 2/1	SHEET: 1/1	REV: A	DWG NO.: LP09071607