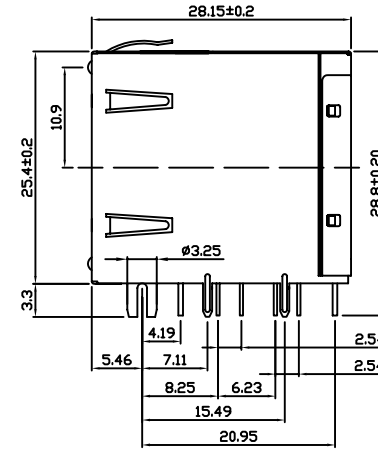
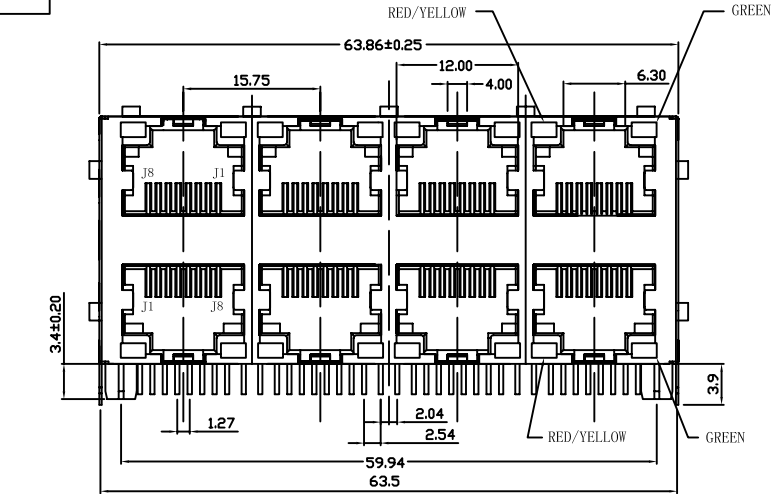


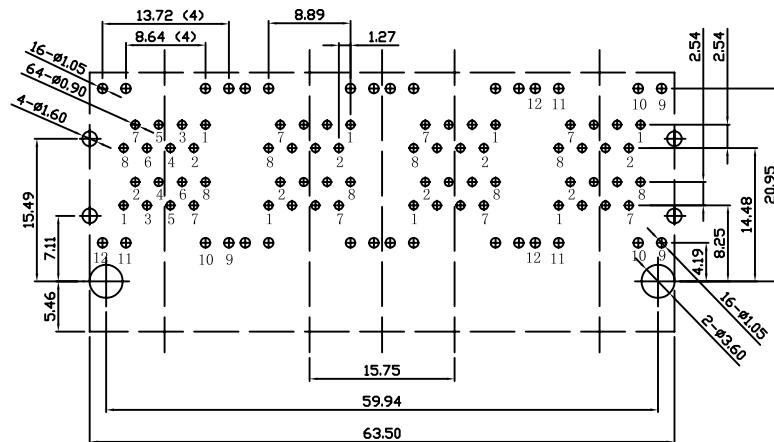
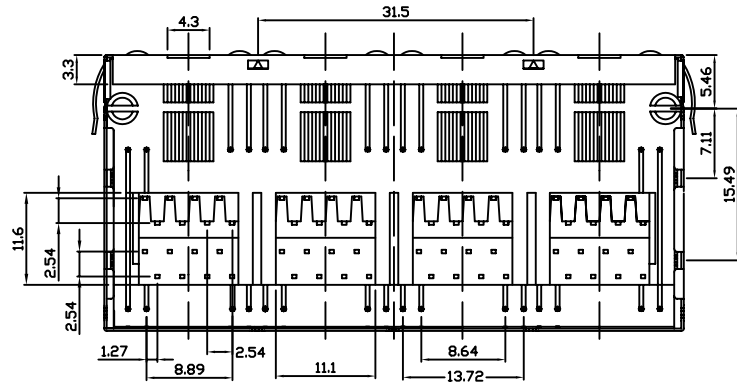
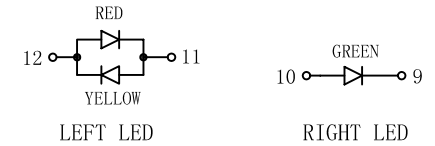
# Mechanical:

REV.	ECN NO.	DESCRIPTION	DATE	APPD
A	REL		2008/11/10	



LPJE108XA62NL

Gold Plating	"X"
1.5u"	1
3u"	2
6u"	3
15u"	4
30u"	5
50u"	6



SUGGESTED PCB LAYOUT (TOP VIEW)

## NOTES: MACHANICAL:

- HOUSING MATERIAL : GLASS FILLED POLYESTER OR HIGH TEMP. UL94V-0.
- CONTACT MATERIAL : PHOSPHOR BRONZE  $t=0.35\text{mm}$ .
- PLATING : CONTACT AREA-SELECTIVE GOLD PLATING. TAILS-PLATED TIN OVER NICKEL.
- OPERATING LIFE : 750 CYCLES MIN
- PCB RETENTION PRE-SOLDER : 1 LB MIN
- PCB RETENTION POST-SOLDER : 10 LBS MIN
- LED SIZE : 3.2\*2.0\*4.0\*P=2.29mm

## ELECTRICAL:

- VOLTAGE RATING : 125VAC RMS.
- CURRENT RATING : 1.5AMP.
- CONTACT RESISTANCE : 50 MILLIOHMS MAX.
- INSULATION RESISTANCE : 1000MEGOHMS MIN @ 500V DC.
- DIELECTRIC STRENGTH : 1000V AC RMS 60Hz. 1MIN.

## ENVIRONMENTAL:

- STORAGE :  $-40^{\circ}\text{C} \sim +85^{\circ}\text{C}$ .
- OPERATION :  $-40^{\circ}\text{C} \sim +85^{\circ}\text{C}$ .

MATES WITH MODULAR PLUG CONFORMING TO FCC PART 68, SUBPART F.



X:X ±0.20	APPD:	LINK-PP INT'L TECHNOLOGY CO., LIMITED
X:XX ±0.10	CHKD:	
X:XXX ±0.05	DR: TOM	TITLE: 2X4 SIDE ENTRY PCB JACK WITH SHIELD
ANGLES ±1°	UNIT: mm	PART NO. : LPJE108XA62NL
	SCALE: 2/1	SHEET: 1/1
	REV: A	DWG NO. : LP08111010