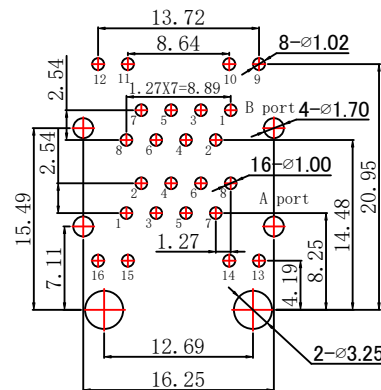
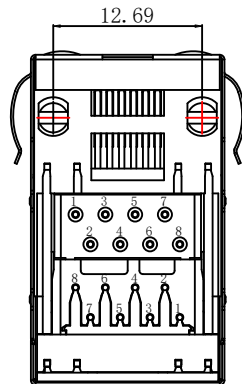
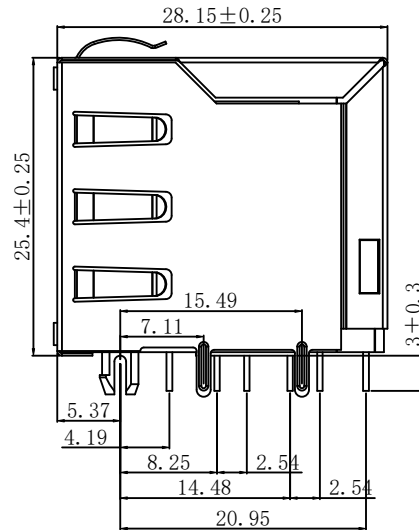
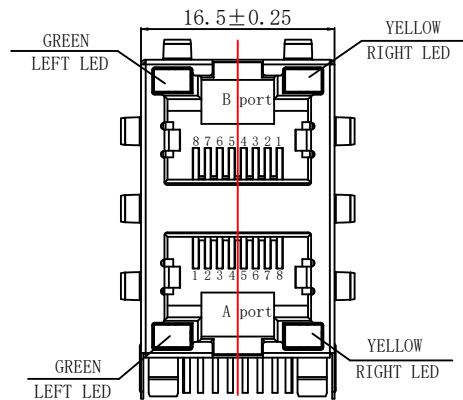


Mechanical:

REV.	ECN NO.	DESCRIPTION	DATE	APPD
A	REL		03/03/2009	



PC Board Layout

NOTES:

ELECTRICAL:

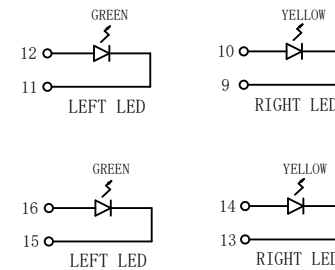
- VOLTAGE RATING: 125V AC.
- CURRENT RATING: 1.5A.
- CONTACT RESISTANCE: 30 mΩ MAX.
- INSULATION RESISTANCE: 500 MΩ MIN @ 500V DC.
- DIELECTRIC STRENGTH: 1000V AC 50Hz or 60Hz, 1MIN.

MECHANICAL:

- INSERT MATERIAL: PBT UL94V-0.
- CONTACT MATERIAL: $\varnothing 0.46$ mm C51000 (QSn4-0.3) PHOSPHOR BRONZE GOLD PLATING OVER NICKEL.
- SHIELD: 0.20mm THICKNESS H65Y BRASS NICKEL PLATED.
- MATING/UNMATING FORCE: 2.2KG, F MAX.
- RETENTION STRENGTH: 3.0KG, F MIN BETWEEN JACK AND PLUG.
- OPERATING LIFE: 750 CYCLES MIN.

ENVIRONMENTAL:

- STORAGE: $-40^{\circ}\text{C} \sim +85^{\circ}\text{C}$ RELATIVE HUMIDITY < 70%.
- OPERATION: $-40^{\circ}\text{C} \sim +85^{\circ}\text{C}$.
- Wave solder temperature and time: 250°C , 5 Sec.
- UL Certification: File Number E484635.



Emitting Color	λ_p (nm)	VF@IF=20mA	IR @VR=5V
GREEN	565	1.8~2.6V	10 μ A max
YELLOW	585	1.8~2.6V	10 μ A max



X:X	± 0.25	APPD: TOM	LINK-PP INT'L TECHNOLOGY CO., LIMITED
X:XX	± 0.20	CHKD: JAMES	
X:XXX	± 0.05	DR: LEO	TITLE: DOUBLE DECK GANG PCB JACK
ANGLES	$\pm 1^{\circ}$	UNIT: mm	PART NO.: LPJE106XAHNL
	SCALE: 2/1	SHEET: 1/1	REV: A DWG NO.: LP09030218