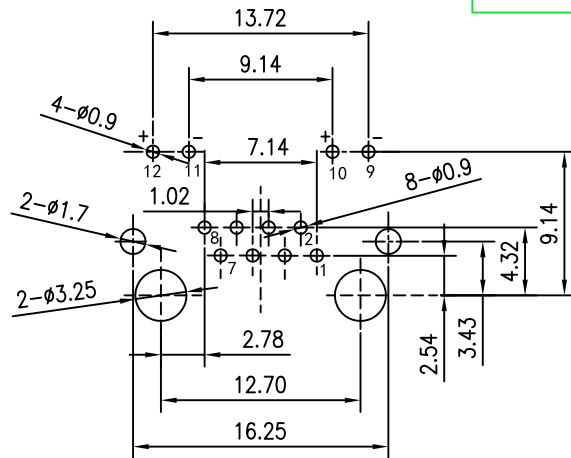
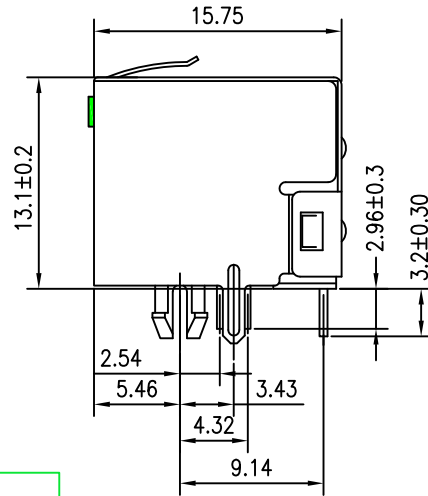
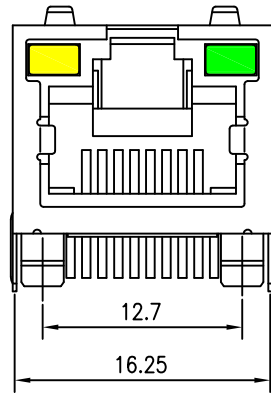
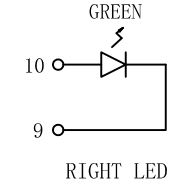
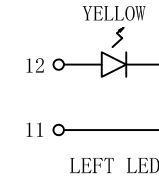
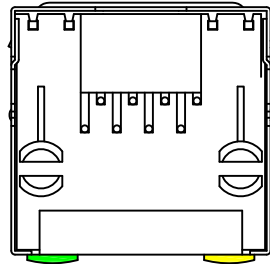


Mechanical:

REV.	ECN NO.	DESCRIPTION	DATE	APPD
A	REL		2015-4-29	



SUGGESTED PCB LAYOUT
(TOP VIEW)



Emitting Color	λ p(nm)	VF@IF=20mA	IR @VR=5V
GREEN	565	1.8~2.6V	10 μ A max
YELLOW	585	1.8~2.6V	10 μ A max

NOTES:

Electrical:

- Voltage rating : 125 VAC RMS
- Current Rating : 1.5 AMP
- Contact resistance : 50 m Ω Max
- Insulation resistance : 500 M Ω Min @500V DC
- Dielectric strength : 1500 VAC RMS 60Hz, 1MIN.

MECHANICAL:

- Housing & Insert Material : PBT UL94V-0.
- Contact Material : Diameter 0.46mm Phosphor Bronze Gold Plating Over Nickel.
- Shield : 0.20-0.25mm Thickness Brass With tin Plated
- Operating Life : 750 Cycles Min.

ENVIRONMENTAL:

- Storage : -40 $^{\circ}$ C ~ +85 $^{\circ}$ C
- Operation : -40 $^{\circ}$ C ~ +85 $^{\circ}$ C.
- Wave solder temperature : 265 $^{\circ}$ C MAX, 5 Sec.
- UL Certification : File Number E484635.

X:X	± 0.30	APPD:	LINK-PP INT'L TECHNOLOGY CO., LIMITED
X:XX	± 0.25	CHKD:	
X:XXX	± 0.05	DR: TOM	TITLE: RJ45 1*1 Connector
ANGLES	$\pm 1^{\circ}$	UNIT: mm	PART NO.: LPJE101AGNL-1
	SCALE: 2/1	SHEET: 1/1	REV: A
			DWG NO.: LP15041628