

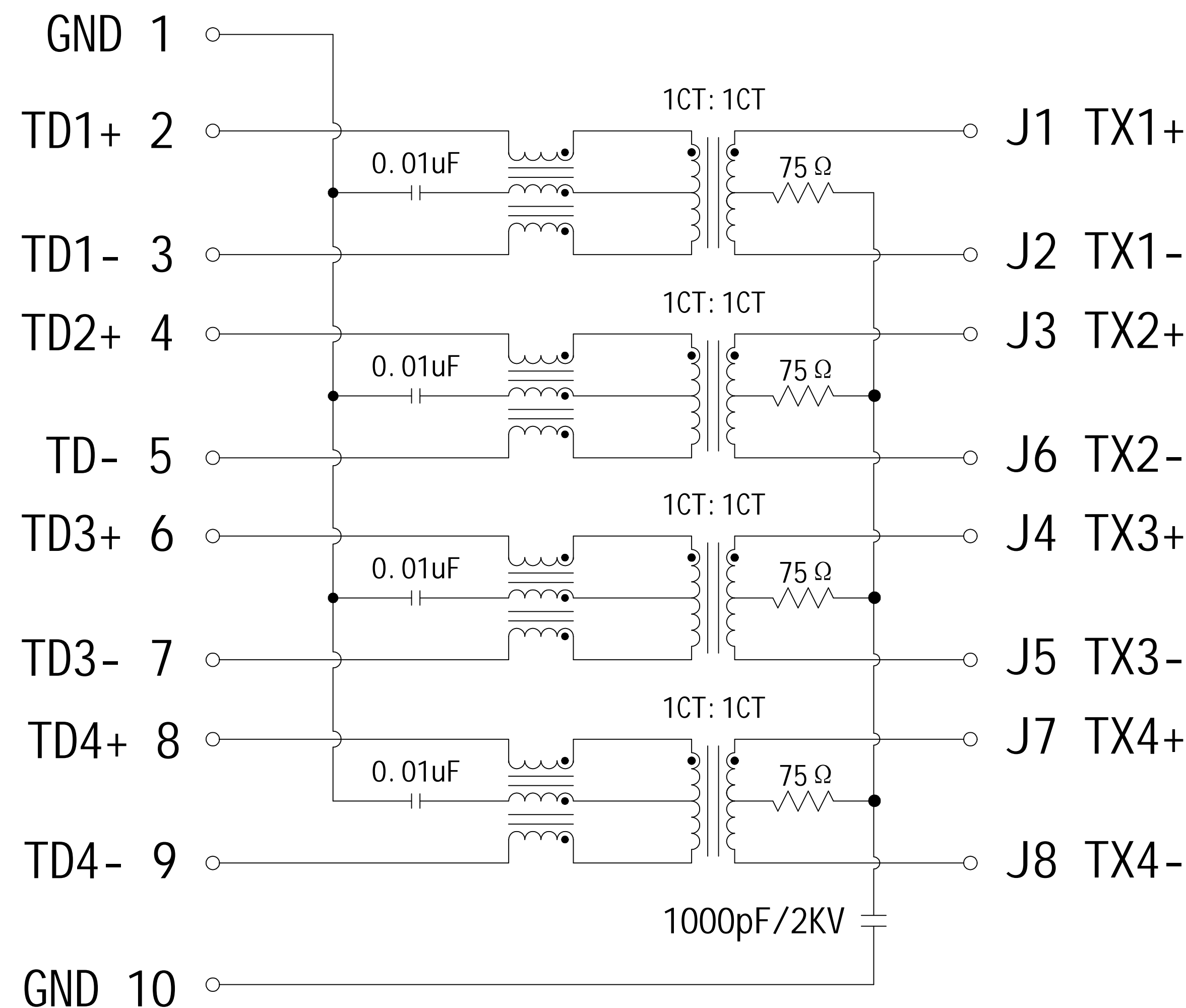
Schematic:

REV.	ECN NO.	DESCRIPTION	DATE	APPD
A	REL		2023-11-1	

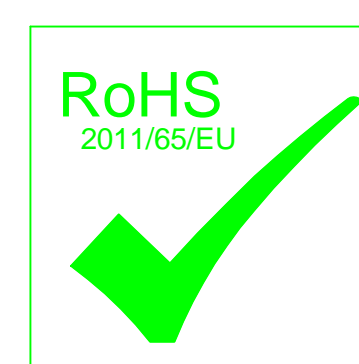
ELECTRICAL SPECIFICATIONS @25°C

- Turn Ratio : 1CT:1CT +/- 5%
- OCL: 120uH Min @100KHz , 0.1V
- Insertion Loss (dB Max):
 - 1-100MHz: -1.0 100-400MHz: -2.0
 - 400-500MHz -3
- Return Loss(dB Min):
 - 1-100MHz: -22 100-200MHz: -16
 - 200-300MHz: -12 300-400MH: -10
 - 400-500MH: -8
- Cross Talk(dB Min):
 - 1-100MHz: -30 100-500MHz: -20
- Common Mode Rejection(dB Min):
 - 1-100MHz: -30 100-500MHz: -20
- Common Mode to Differential Mode Rejection(dB Min):
 - 1-250MHz: -30 250-500MHz: -22.
- Isolation Hi -Pot: 2250VDC Min@ 60S
- Operating Temperature Range: -40°C ~ +85°C.

PCB CONNECTIONS



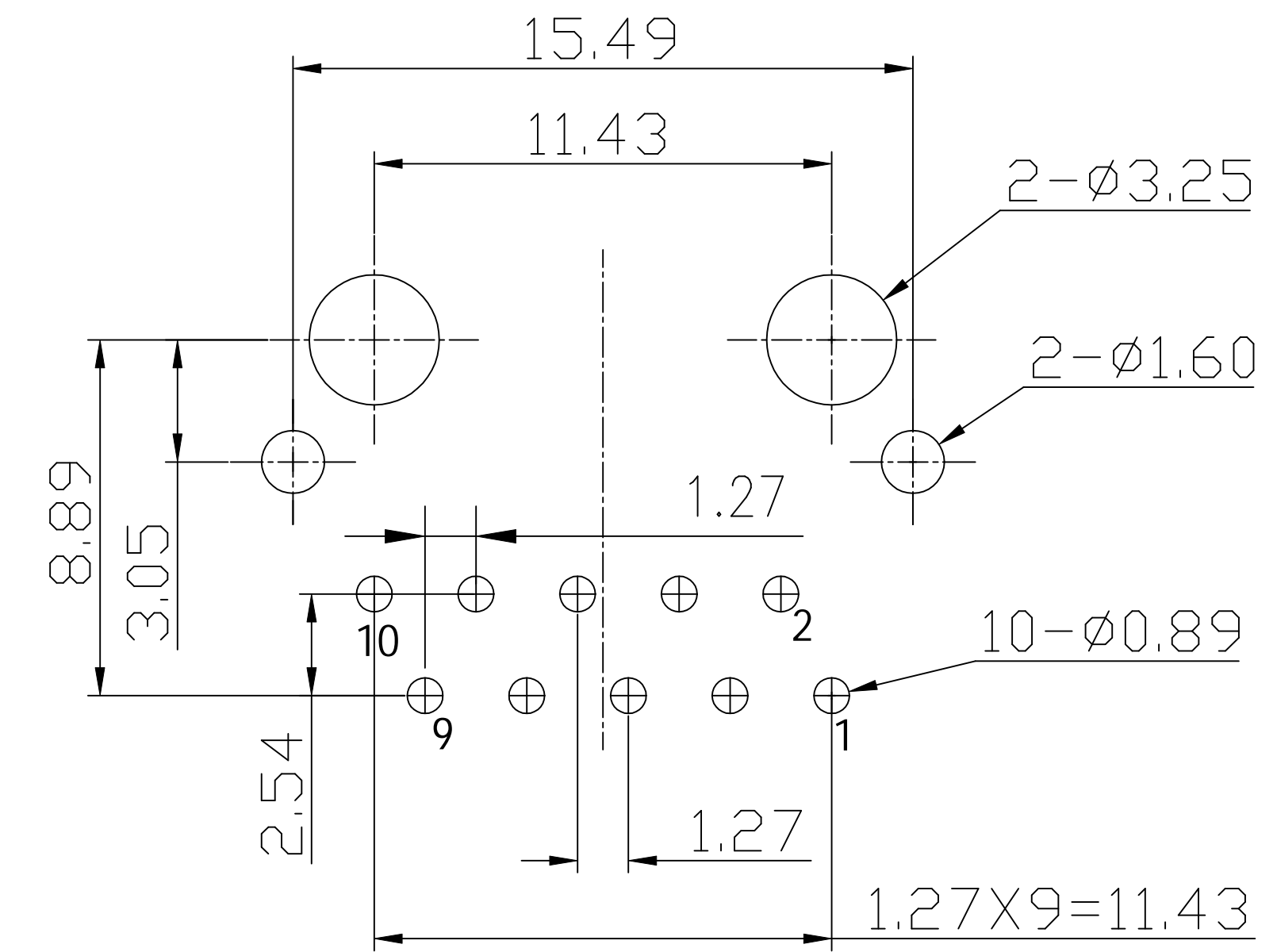
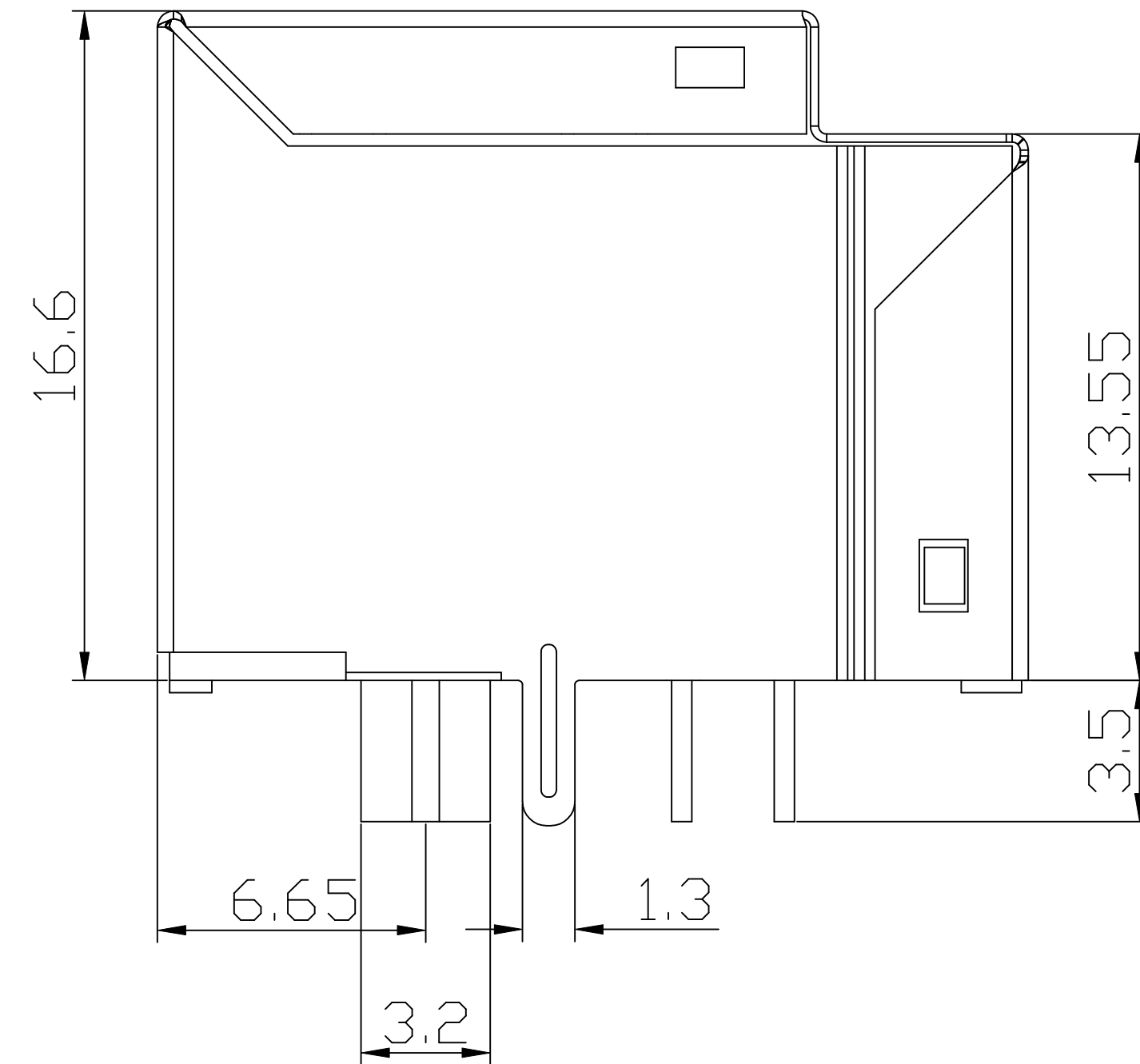
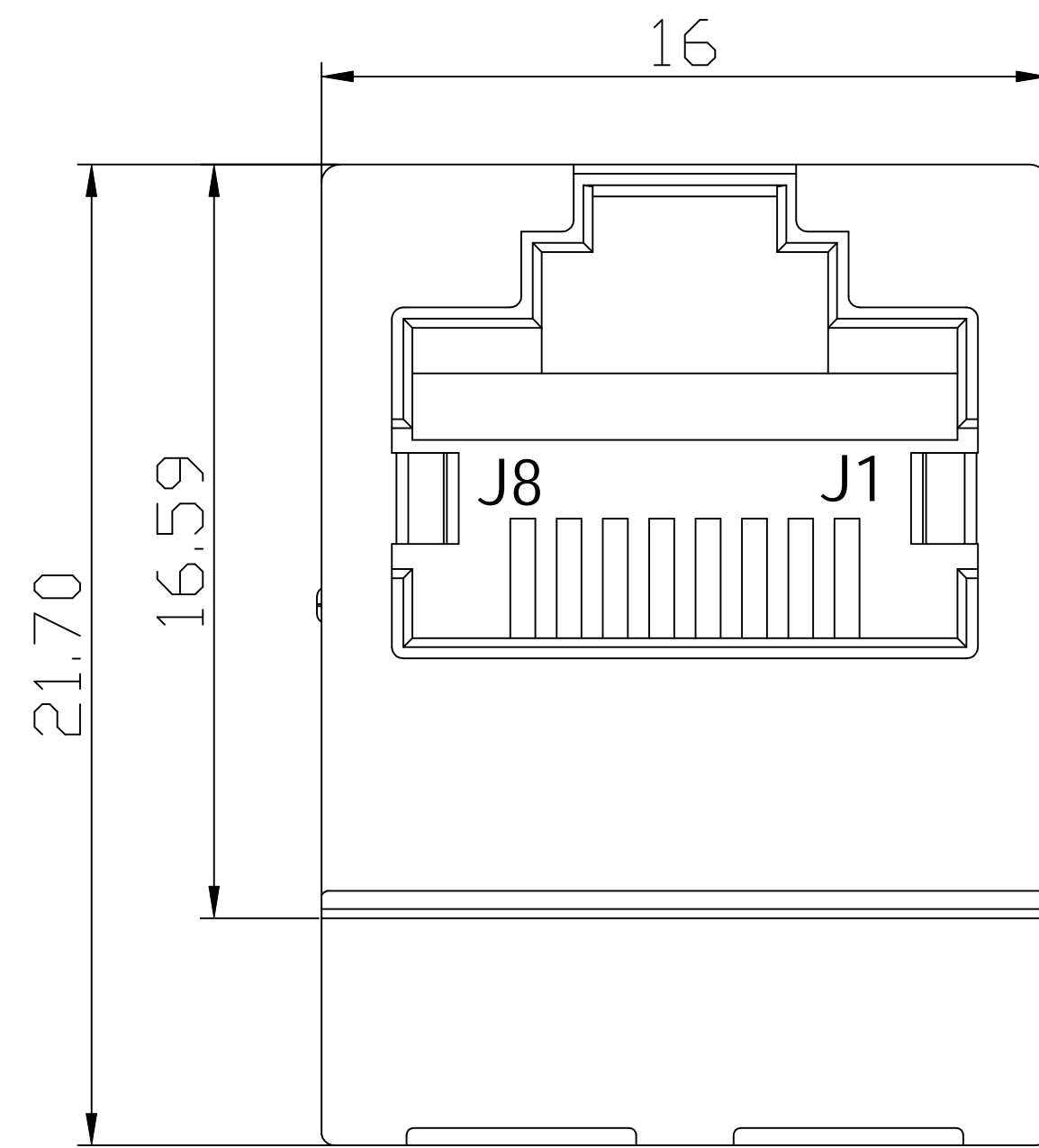
RJ45 CONNECTOR



X.X	±0.30	APPD: TOM	LINK-PP INT'L TECHNOLOGY CO., LIMITED	
X.XX	±0.25	CHKD: JAMES	TITLE:	
X.XXX	±0.15	DR: JULY	VERTICAL RJ45 1X1 CONNECTOR WITH 10G BASE-T INTEGRATED MAGNETICS	
ANGLES	±1°	UNIT: mm	PART NO.:	LPJDM47317-8DNL
	SCALE: 2/1	SHEET: 1/2	REV: A	DWG NO.: LP23110121

Mechanical :

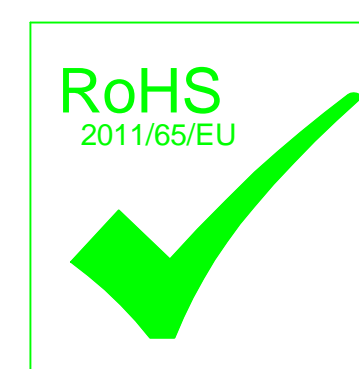
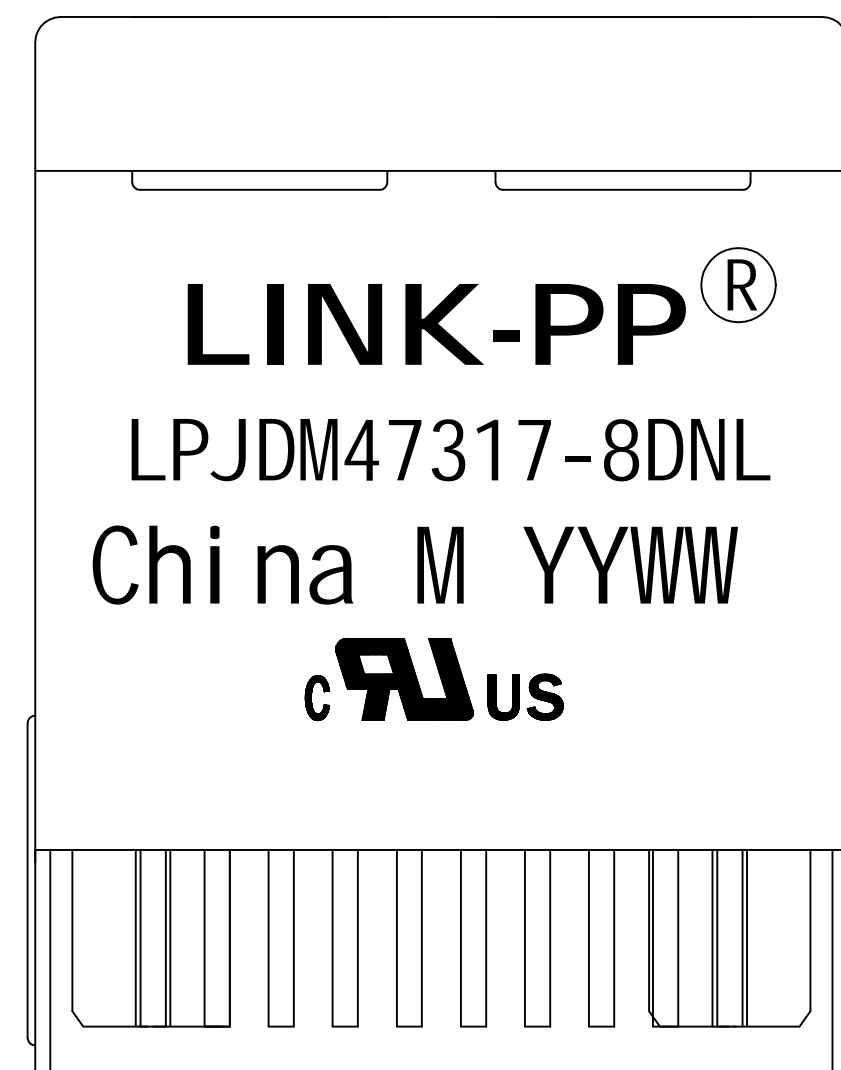
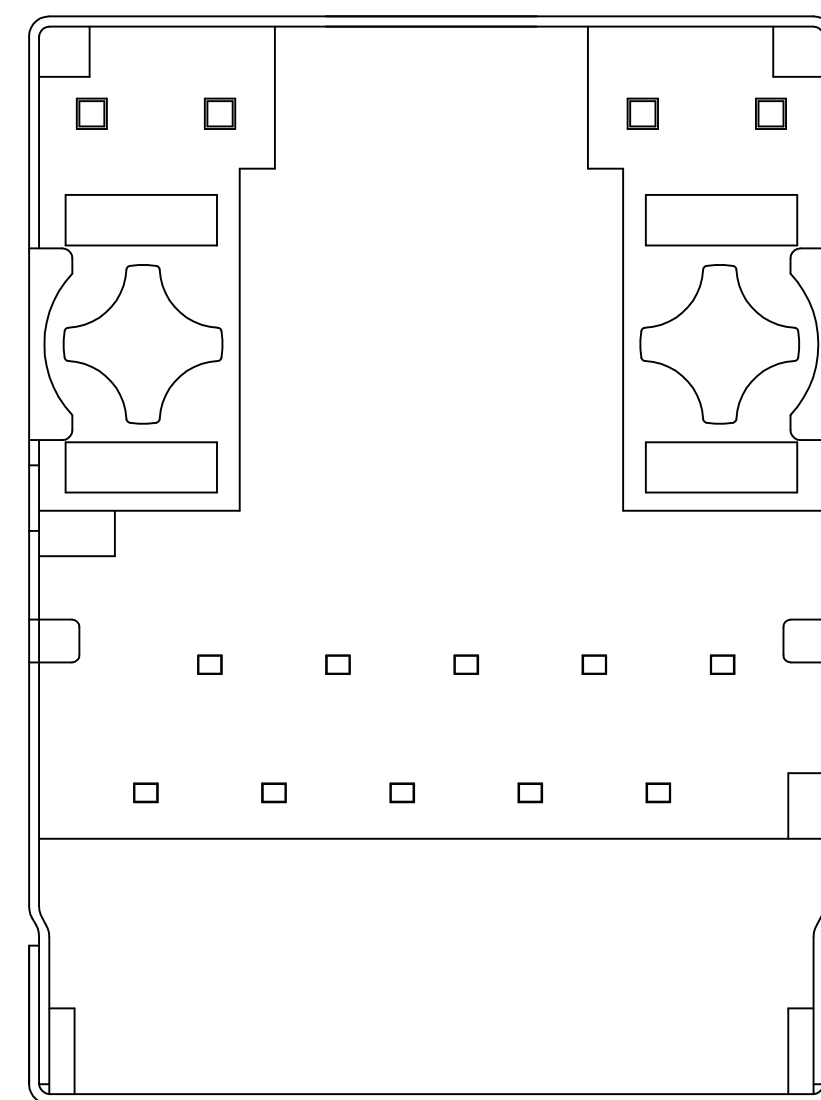
REV.	ECN NO.	DESCRIPTION	DATE	APPD
A	REL		2023-11-1	



SUGGESTED PCB LAYOUT (TOP VIEW)

NOTES:

1. Designed to support application, such as SOHO(ADSL modems), LAN-on-Motherboard(LOM), hub and Switches.
2. Meets IEEE802.3 specification.
3. Connector Materials:
 Housing: Thermoplastic PBT+30%G. F UL94V-0
 Contact: Phosphor Bronze C5210R-EH Thickness=0.35mm
 Pins: Brass C2680R-H Thickness=0.35mm
 Shield: SUS 304-1/2H Thickness=0.2mm
 Contact plating: Gold 30 micro-inches min. In contact area.
4. Wave solder tip temperature and time: 250°C, 5 Sec.
5. UL Certification: File Number E484635.



X.X	±0.30	APPD: TOM	LINK-PP INT'L TECHNOLOGY CO., LIMITED	
X.XX	±0.25	CHKD: JAMES	TITLE:	
X.XXX	±0.15	DR: JULY	VERTICAL RJ45 1X1 CONNECTOR WITH 10G BASE-T INTEGRATED MAGNETICS	
ANGLES	±1°	UNIT: mm	PART NO.:	LPJDM47317-8DNL
	SCALE: 2/1		SHEET: 2/2	REV: A
			DWG NO.:	LP23110121