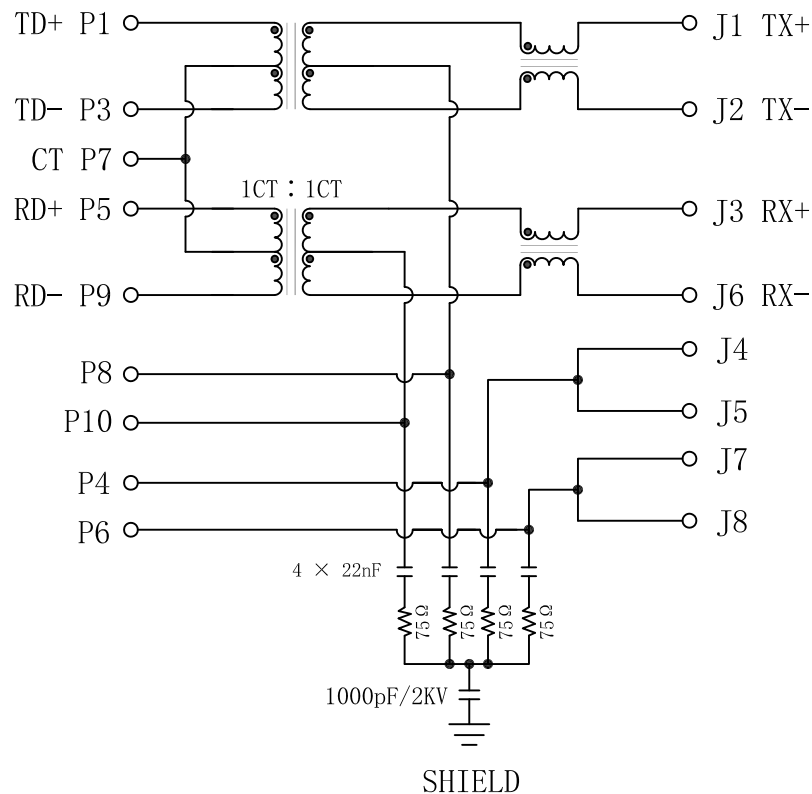


Schematic:

REV.	ECN NO.	DESCRIPTION	DATE	APPD
A	REL		2019/03/19	

PC BOARD CONNECTIONS



RJ45 CONNECTOR

Electrical Specifications @25°C

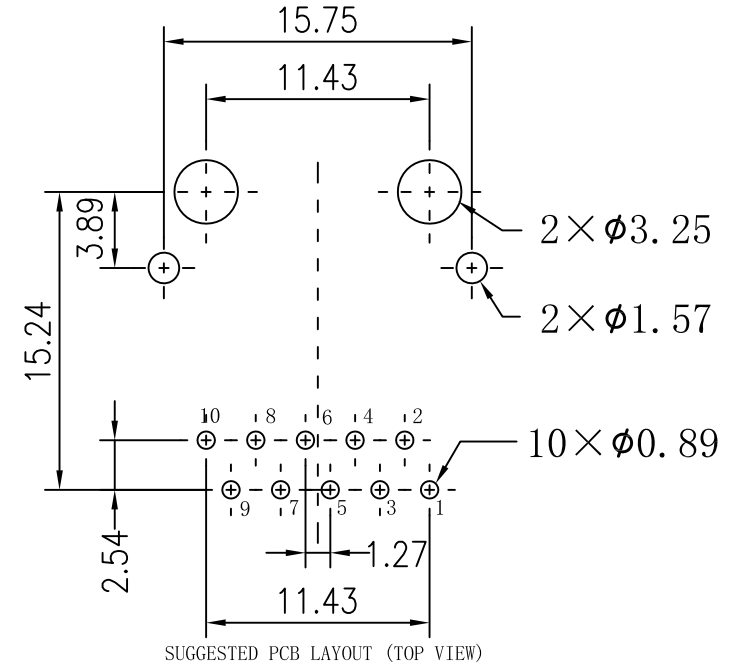
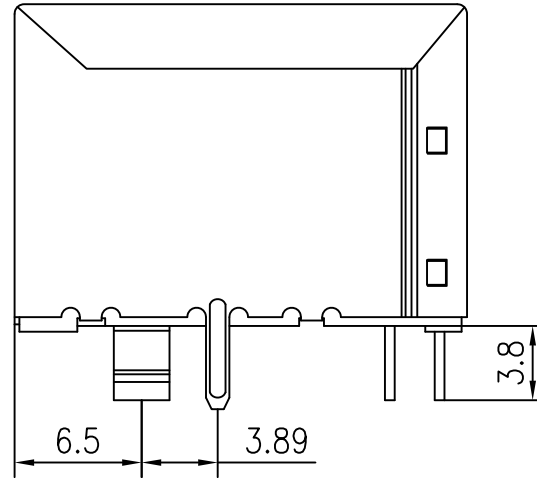
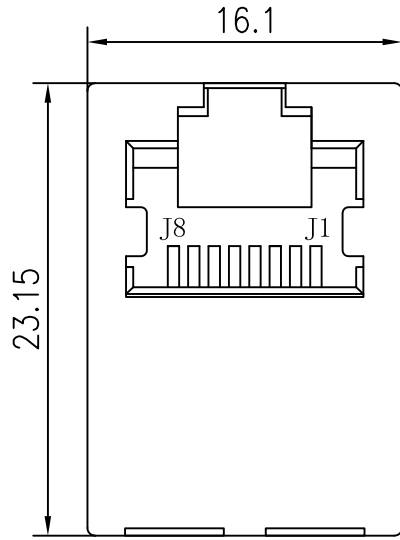
- Turns Ratio:
TX=1CT : 1CT ±5%
RX=1CT : 1CT ±5%
- OCL: 350uH Min
@100KHz 100mV 8mADC Bias
- Insertion Loss:
1-100MHz:-1.2dB Max
- Return Loss(dB Min):
1-30MHz:-16 30-60MHz:-12
60-80MHz:-10
- Crosstalk:
1-100MHz:-30dB Min
- Common to Common Mode Attenuation:
1-100MHz:-30dB Min
- DC current/voltage rating-pse pins:
350mA @57VDC Continuous.
- Isolation: PHY side to LINE sied: 500VAC
- Operating Temperature: -40°C ~+85°C.



X:X	±0.25	APPD:	LINK-PP INT'L TECHNOLOGY CO., LIMITED	
X:XX	±0.20	CHKD:	TITLE: RJ45 Transformer 10/100Mbps For PoE Application	
X:XXX	±0.05	DR: SEA	PART NO.: LPJD6314DNL	
ANGLES	±1°	UNIT: mm	DWG NO.: LP19031912	
	SCALE: 2/1	SHEET: 1/2	REV: A	DWG NO.: LP19031912

Mechanical :

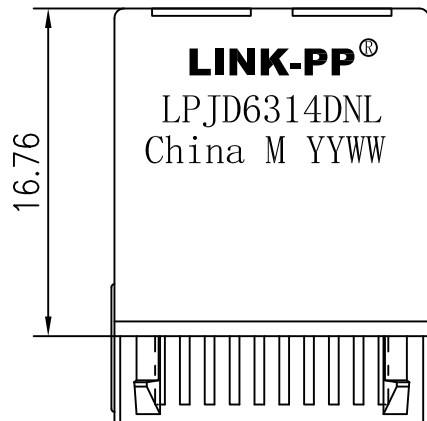
REV.	ECN NO.	DESCRIPTION	DATE	APPD
A	REL		2019/03/19	



SUGGESTED PCB LAYOUT (TOP VIEW)

NOTES:

1. Designed to support application, such as SOHO (ADSL modems), LAN-on-Motherboard (LOM), hub and Switches.
2. Meets IEEE 802.3af specification
3. Connector Materials:
 Housing: Thermoplastic UL94V-0
 Contact/Shield: Copper alloy
 Shield plating: Nickel
 Contact plating: Gold 6 micro-inches min. In contact area.
4. Wave solder tip temperature: 265°C Max, 5 Sec.
5. UL Certification: File Number E484635.



X:X	±0.25	APPD:	LINK-PP INT'L TECHNOLOGY CO., LIMITED	
X:XX	±0.20	CHKD:	TITLE: RJ45 Transformer 10/100Mbps For PoE Application	
X:XXX	±0.05	DR: SEA	PART NO.: LPJD6314DNL	
ANGLES	±1°	UNIT: mm	DWG NO.: LP19031912	
	SCALE: 2/1	SHEET: 2/2	REV: A	