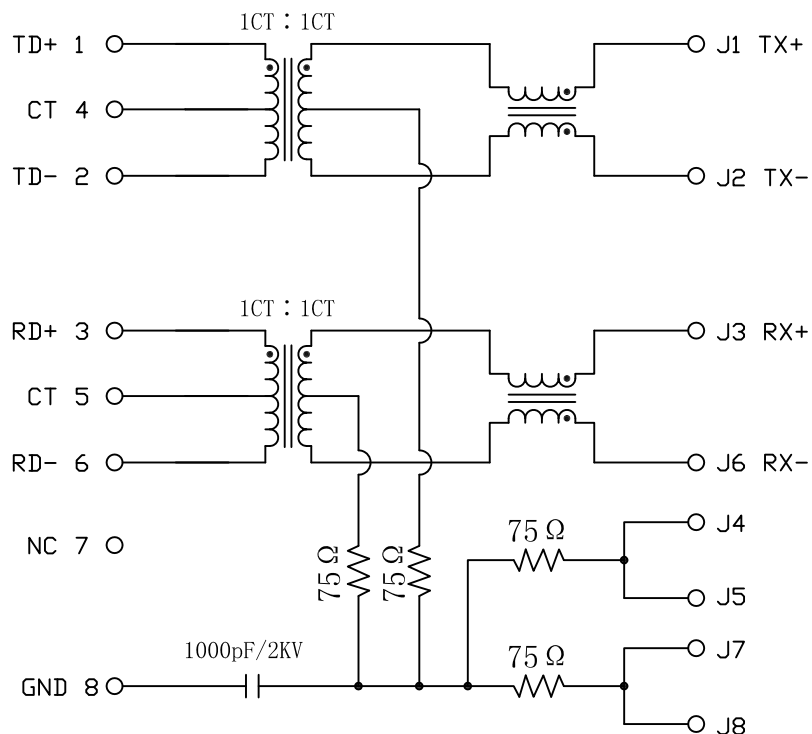


Schematic:

REV.	ECN NO.	DESCRIPTION	DATE	APPD
A	REL		2011/12/08	

PC BOARD CONNECTIONS



RJ45 CONNECTOR

Electrical Specifications @25°C

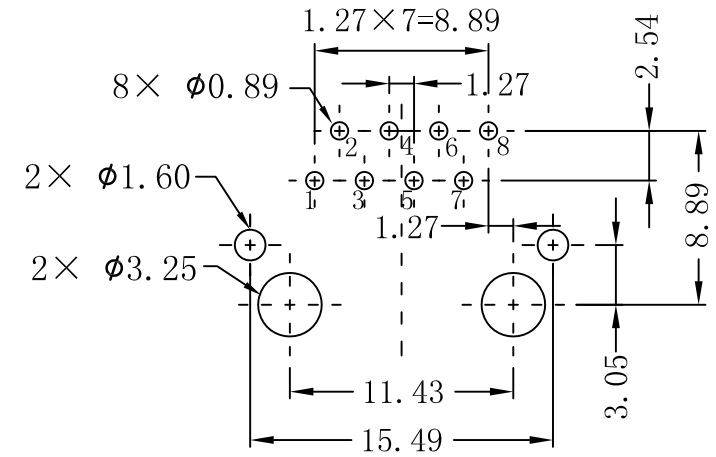
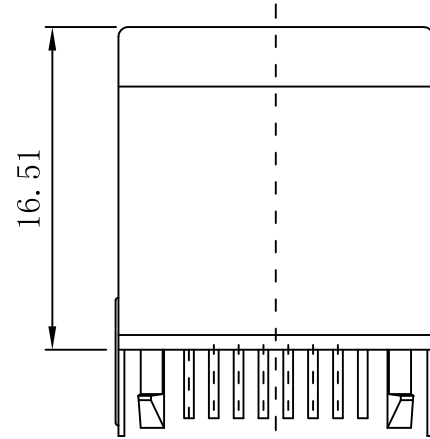
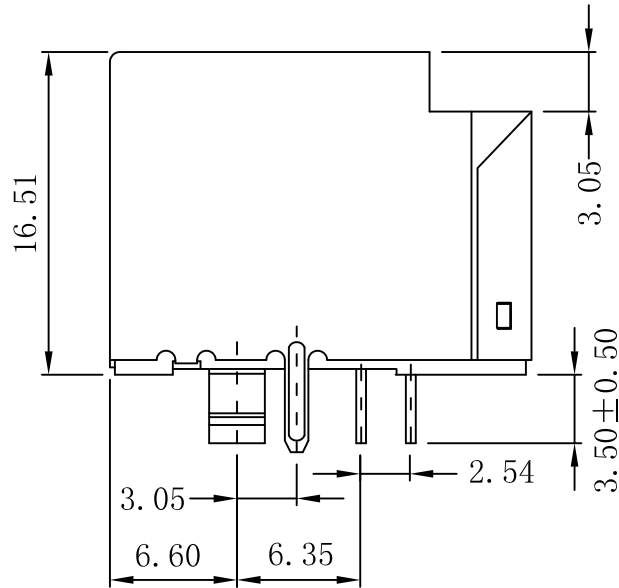
1. OCL: 350uH Min
@100KHz, 0.1V, 8mADC BIAS
2. Turns Ratio ($\pm 2\%$):
TX = 1CT : 1CT RX = 1CT : 1CT
3. Insertion Loss:
0.1-100MHz: -1.1dB Max
4. Return Loss (dB Min):
0.5-30MHz: -18 40MHz: -15.5
50MHz: -13.6 60-80MHz: -12
5. Crosstalk (dB Typ):
0.1-100MHz: -40
6. Common Mode Rejection (dB Typ):
0.1-30MHz: -50 30-60MHz: -40
60-100MHz: -35
7. Isolation Voltage: 1500Vrms
8. Operating Temperature: -40°C ~ +85°C



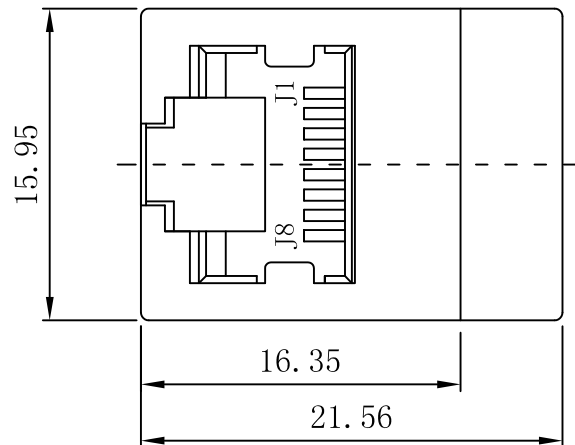
X:X	± 0.20	APPD:	<i>LINK-PP INT'L TECHNOLOGY CO., LIMITED</i>	
X:XX	± 0.10	CHKD:		
X:XXX	± 0.05	DR: TOM	TITLE: Vertical RJ45 Connector With 10/100 Magnetic	
ANGLES	$\pm 1^\circ$	UNIT: mm	PART NO.: LPJD5011DNL	
	SCALE: 2/1	SHEET: 1/2	REV: A	DWG NO.: LP11120802

Mechanical :

REV.	ECN NO.	DESCRIPTION	DATE	APPD
A	REL		2011/12/08	



SUGGESTED PCB LAYOUT (TOP VIEW)



NOTES:

1. Designed to support application, such as SOHO (ADSL modems), LAN-on-Motherboard (LOM), hub and Switches.
2. Meets IEEE 802.3 specification
3. Connector Materials:
 Housing: Thermoplastic UL94V-0
 Contact/Shield: Copper alloy
 Shield plating: Nickel
 Contact plating: Gold 6 micro-inches min. In contact area.
4. Wave solder tip temperature: 260°C
 Wave solder tip temperature time: 5 Sec Max



X:X	±0.20	APPD:	LINK-PP INT'L TECHNOLOGY CO., LIMITED
X:XX	±0.10	CHKD:	
X:XXX	±0.05	DR: TOM	TITLE: Vertical RJ45 Connector With 10/100 Magnetic
ANGLES	±1°	UNIT: mm	PART NO.: LPJD5011DNL
	SCALE: 2/1	SHEET: 2/2	REV: A DWG NO.: LP11120802