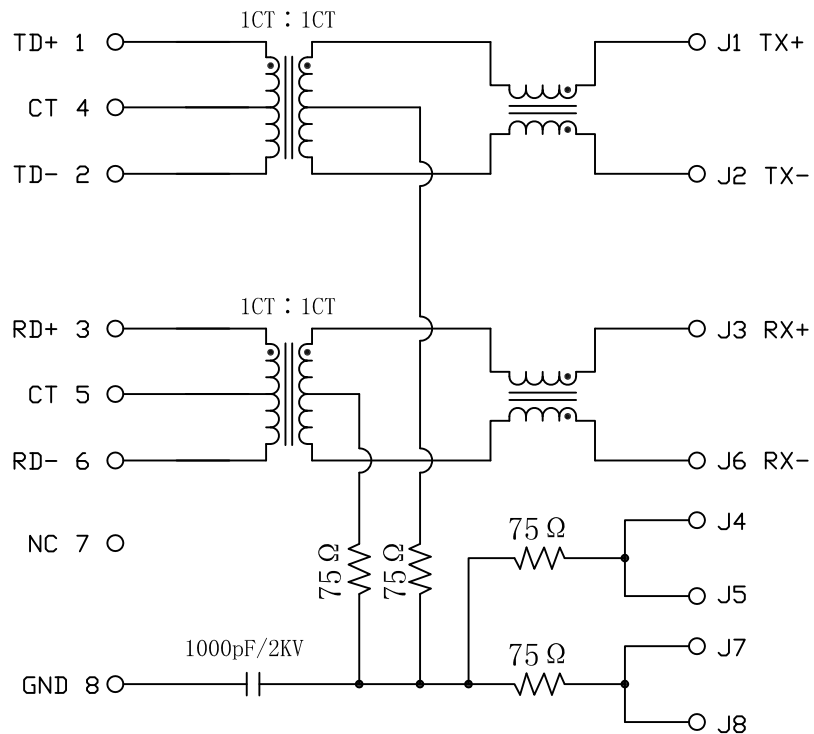


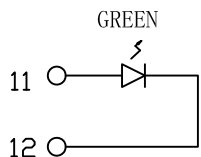
Schematic:

REV.	ECN NO.	DESCRIPTION	DATE	APPD
A	REL		2011/12/08	

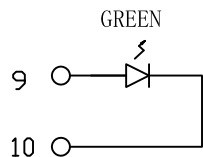
PC BOARD CONNECTIONS



RJ45 CONNECTOR



LEFT LED



RIGHT LED



Electrical Specifications @25°C

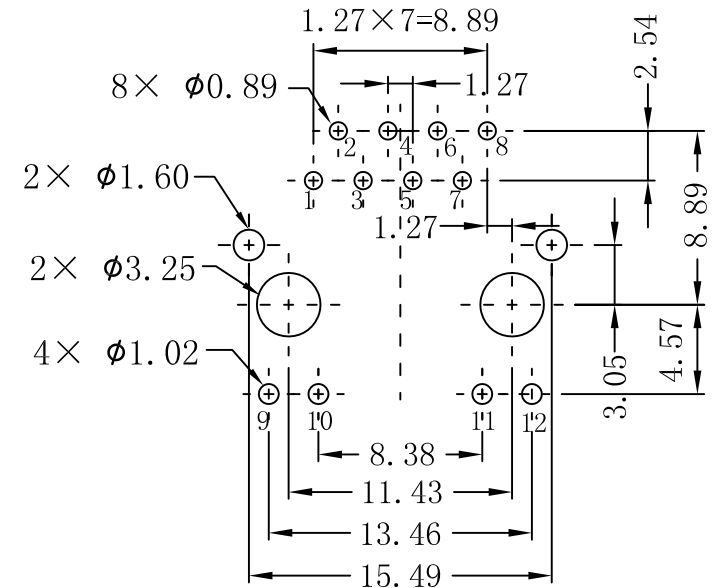
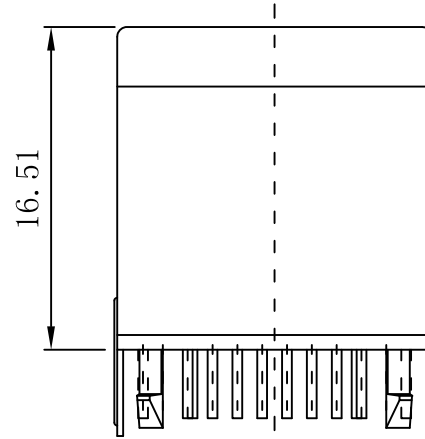
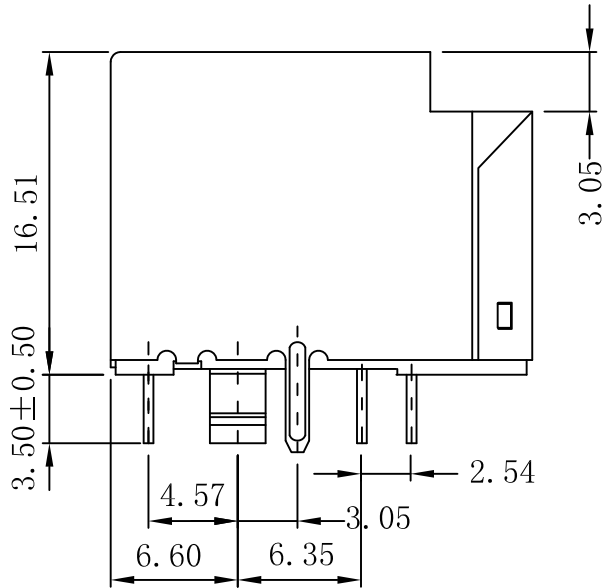
- OCL: 350uH Min
@100KHz, 0. 1V, 8mADC BIAS
- Turns Ratio($\pm 2\%$):
TX = 1CT : 1CT RX = 1CT : 1CT
- Insertion Loss:
0. 1-100MHz:-1. 1dB Max
- Return Loss(dB Min):
0. 5-30MHz:-18 40MHz:-15. 5
50MHz:-13. 6 60-80MHz:-12
- Crosstalk(dB Typ):
0. 1-100MHz:-40
- Common Mode Rejection(dB Typ):
0. 1-30MHz:-50 30-60MHz:-40
60-100MHz:-35
- Isolation Voltage: 1500Vrms
- Operating Temperature: $-40^{\circ}\text{C} \sim +85^{\circ}\text{C}$

Emitting Color	λ p(nm)	VF@IF=20mA	IR @VR=5V
Green	565	1.8~2.6V	20 μ A max

X:X	± 0.30	APPD:	LINK-PP INT'L TECHNOLOGY CO., LIMITED	
X:XX	± 0.25	CHKD:	TITLE: Vertical RJ45 Connector With 10/100 Magnetic	
X:XXX	± 0.05	DR: TOM	PART NO. : LPJD5011BFNL	
ANGLES	$\pm 1^{\circ}$	UNIT: mm		
	SCALE: 2/1	SHEET: 1/2	REV: A	DWG NO. : LP11120813

Mechanical :

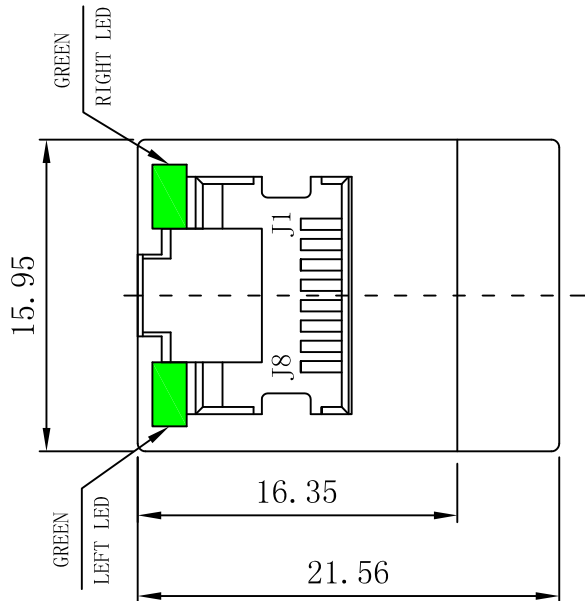
REV.	ECN NO.	DESCRIPTION	DATE	APPD
A	REL		2011/12/08	



SUGGESTED PCB LAYOUT (TOP VIEW)

NOTES:

1. Designed to support application, such as SOHO (ADSL modems), LAN-on-Motherboard (LOM), hub and Switches.
2. Meets IEEE 802.3 specification
3. Connector Materials:
 Housing: Thermoplastic UL94V-0
 Contact/Shield: Copper alloy
 Shield plating: Nickel
 Contact plating: Gold 6 micro-inches min. In contact area.
4. Wave solder tip temperature: 260°C
 Wave solder tip temperature time: 5 Sec Max



X:X	±0.30	APPD:	LINK-PP INT'L TECHNOLOGY CO., LIMITED
X:XX	±0.25	CHKD:	
X:XXX	±0.05	DR: TOM	TITLE: Vertical RJ45 Connector With 10/100 Magnetic
ANGLES	±1°	UNIT: mm	PART NO.: LPJD5011BFNL
	SCALE: 2/1	SHEET: 2/2	REV: A DWG NO.: LP11120813