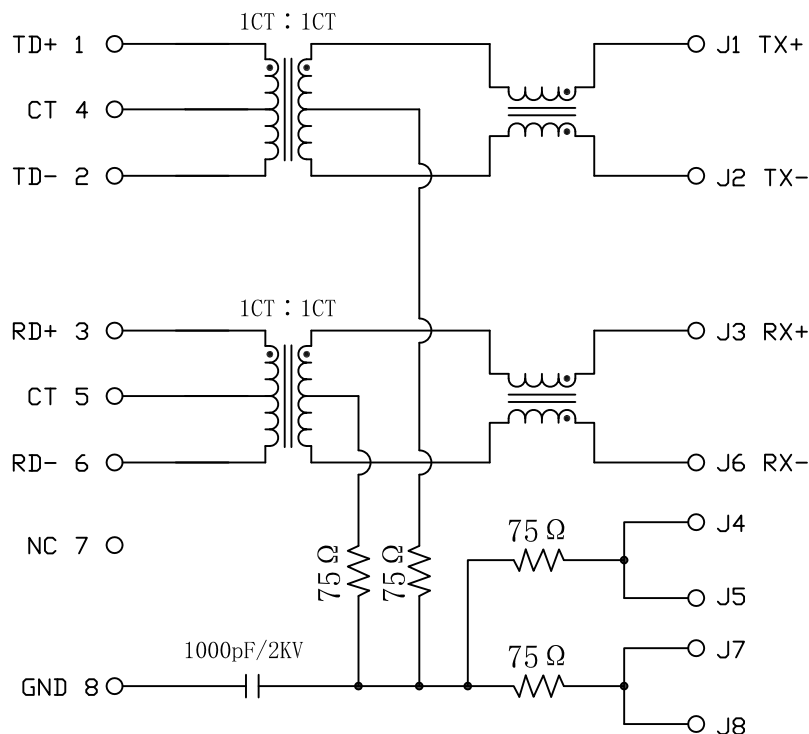


Schematic:

REV.	ECN NO.	DESCRIPTION	DATE	APPD
A	REL		2011/12/08	

PC BOARD CONNECTIONS

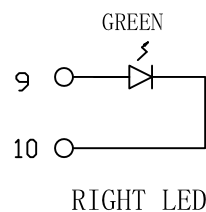
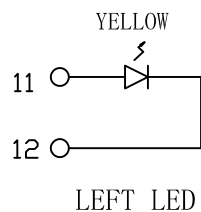


RJ45 CONNECTOR

Electrical Specifications @25°C

- OCL: 350uH Min
@100KHz, 0.1V, 8mADC BIAS
- Turns Ratio(±2%):
TX = 1CT : 1CT RX = 1CT : 1CT
- Insertion Loss:
0.1-100MHz:-1.1dB Max
- Return Loss(dB Min):
0.5-30MHz:-18 40MHz:-15.5
50MHz:-13.6 60-80MHz:-12
- Crosstalk(dB Typ):
0.1-100MHz:-40
- Common Mode Rejection(dB Typ):
0.1-30MHz:-50 30-60MHz:-40
60-100MHz:-35
- Isolation Voltage: 1500Vrms
- Operating Temperature: -40°C ~ +85°C

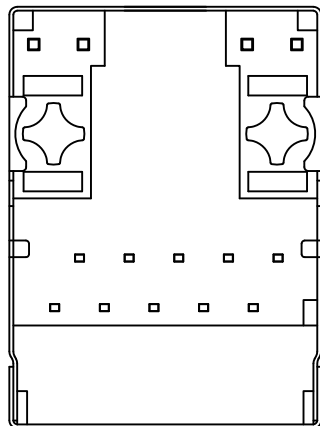
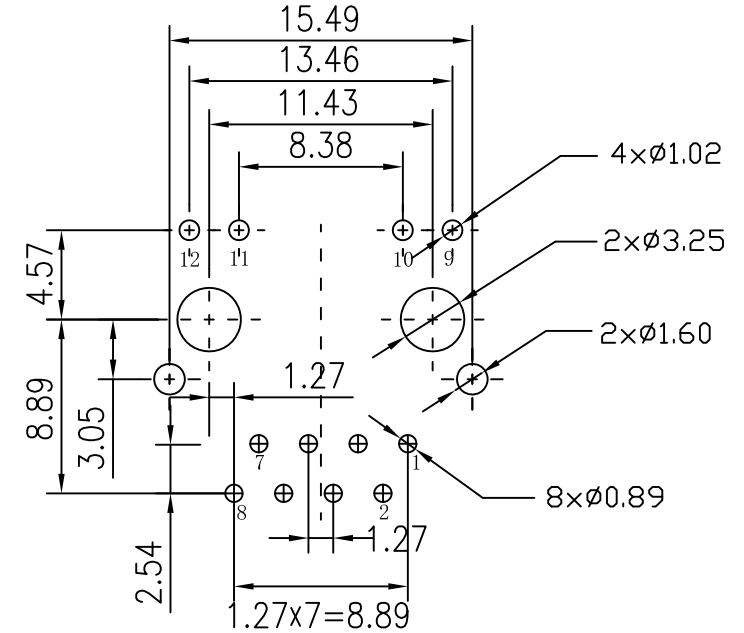
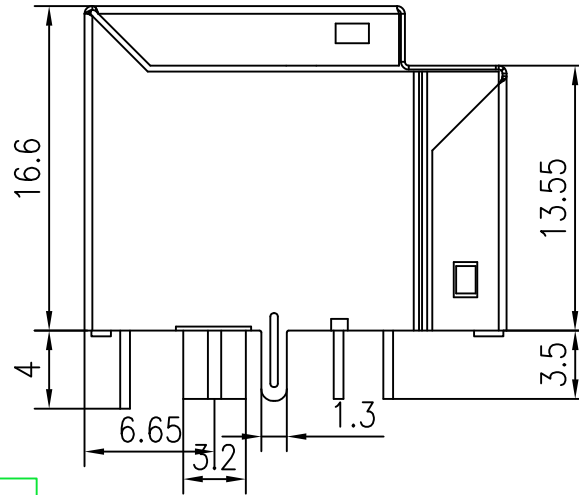
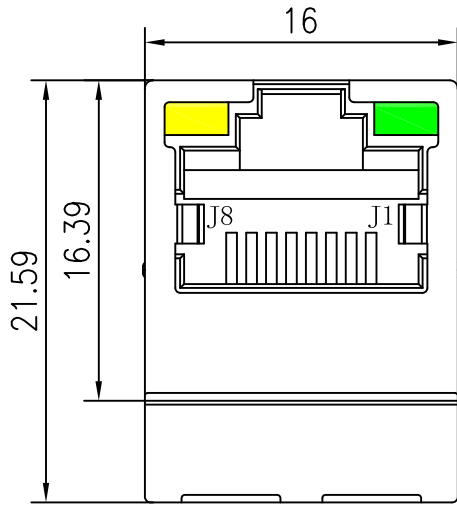
Emitting Color	λ p(nm)	VF@IF=20mA	IR @VR=5V
GREEN	565	1.8~2.6V	20 μA max
YELLOW	585	1.8~2.6V	20 μA max



X:X	±0.30	APPD:	LINK-PP INT'L TECHNOLOGY CO., LIMITED
X:XX	±0.25	CHKD:	
X:XXX	±0.05	DR: TOM	TITLE: Vertical RJ45 Connector With 10/100 Magnetic
ANGLES	±1°	UNIT: mm	PART NO.: LPJD5011BDNL
	SCALE: 2/1	SHEET: 1/2	REV: A DWG NO.: LP11120815

Mechanical :

REV.	ECN NO.	DESCRIPTION	DATE	APPD
A	REL		2011/12/08	



NOTES:

SUGGESTED PCB LAYOUT (TOP VIEW)

1. Designed to support application, such as SOHO (ADSL modems), LAN-on Motherboard (LOM), hub and Switches.
2. Meets IEEE 802.3 specification
3. Connector Materials:

Housing Material: Thermoplastic PBT+30%G.F UL94V-0
 Contact Material: Phosphor Bronze C5210R-EH Thickness=0.35mm
 Pins: Brass C2680R-H Thickness=0.35mm
 Shield: Copper alloy Brass H65Y Thickness=0.2mm
 Contact plating: Gold 6 micro-inches Min. In contact area.

4. Wave solder tip temperature: 265°C Max, 5 Sec.
5. UL Certification: File Number E484635.

X:X	±0.30	APPD:	LINK-PP INT'L TECHNOLOGY CO., LIMITED	
X:XX	±0.25	CHKD:	TITLE: Vertical RJ45 Connector With 10/100 Magnetic	
X:XXX	±0.05	DR: TOM	PART NO.: LPJD5011BDNL	
ANGLES	±1°	UNIT: mm		
	SCALE: 2/1	SHEET: 2/2	REV: A	DWG NO.: LP11120815