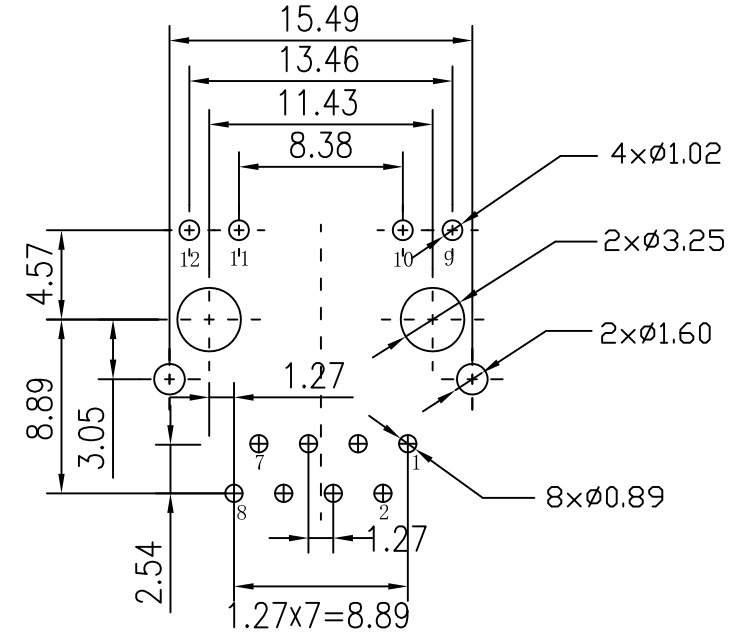
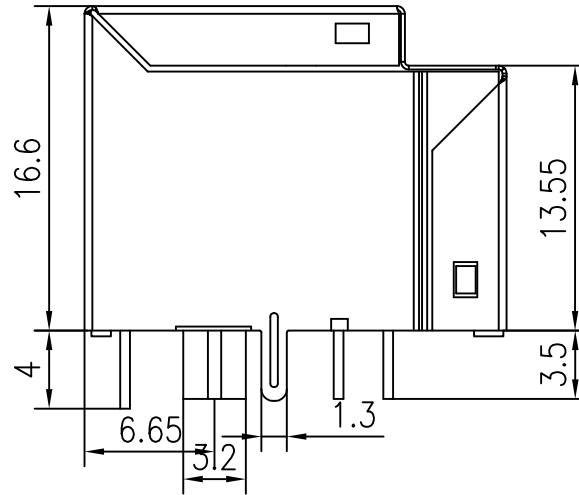
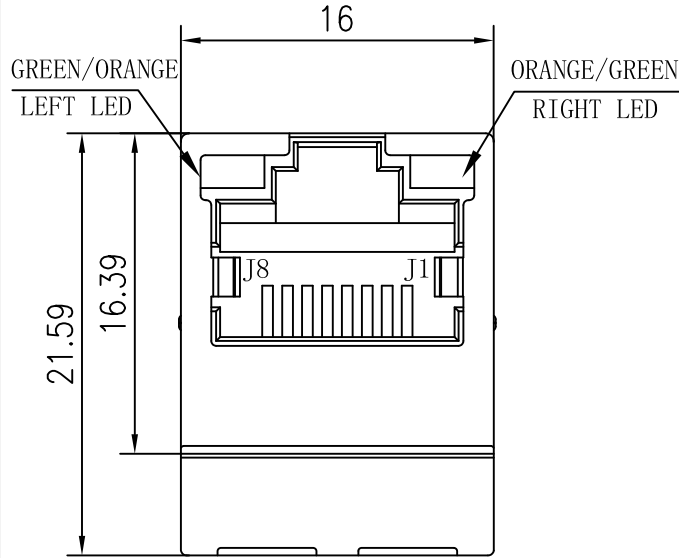




# Mechanical :

| REV. | ECN NO. | DESCRIPTION | DATE       | APPD |
|------|---------|-------------|------------|------|
| A    | REL     |             | 2016/05/31 |      |

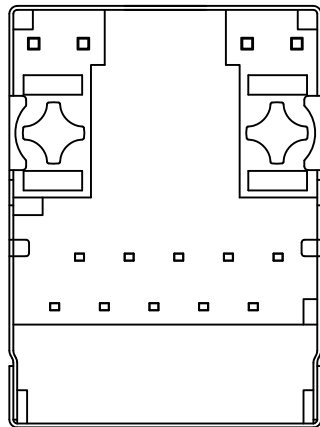


SUGGESTED PCB LAYOUT (TOP VIEW)



## NOTES:

1. Designed to support application, such as SOHO (ADSL modems), LAN-on Motherboard (LOM), hub and Switches.
2. Meets IEEE 802.3 specification
3. Connector Materials:  
 Housing Material: Thermoplastic PBT+30%G. F UL94V-0  
 Contact Material: Phosphor Bronze C5210R-EH Thickness=0.35mm  
 Pins: Brass C2680R-H Thickness=0.35mm  
 Shield: Copper alloy Brass H65Y Thickness=0.2mm  
 Contact plating: Gold 6 micro-inches Min. In contact area.
4. Wave solder tip temperature: 265°C Max, 5 Sec Max.
5. UL Certification: File Number E484635.



|        |            |            |   |
|--------|------------|------------|---|
| X:X    | ±0.30      | APPD:      | LINK-PP INT'L TECHNOLOGY CO., LIMITED               |
| X:XX   | ±0.25      | CHKD:      |   |
| X:XXX  | ±0.05      | DR: TOM    | TITLE: Vertical RJ45 Connector With 10/100 Magnetic |
| ANGLES | ±1°        | UNIT: mm   | PART NO.: LPJD5011B136NL                            |
|        | SCALE: 2/1 | SHEET: 2/2 | REV: A DWG NO.: LP16053101                          |