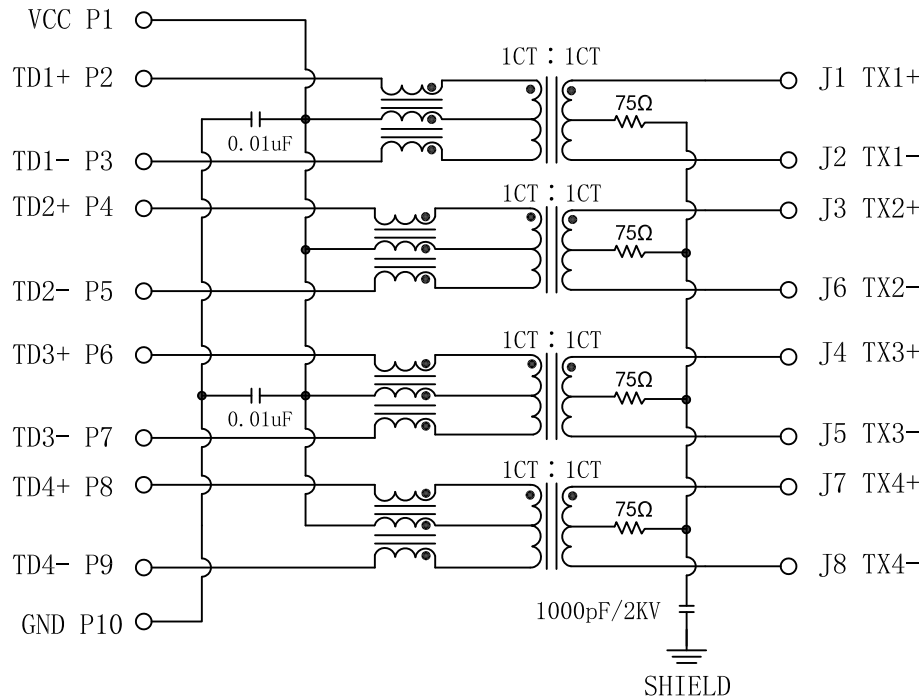


Schematic:

| REV. | ECN NO. | DESCRIPTION | DATE | APPD |
|------|---------|-------------|------------|------|
| A | REL | | 2010/11/13 | |

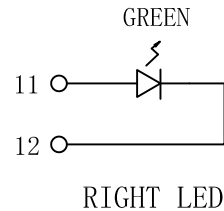
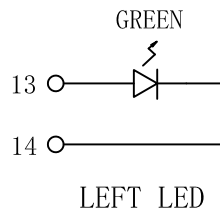
PC BOARD CONNECTIONS



RJ45 CONNECTOR

Electrical Specifications @25°C

- Impedance: 100 ohms
- OCL: 350uH Min
@100KHz, 0.1V, 8mADC BIAS
- Turns Ratio:
Pri : Sec = 1CT : 1CT ±3%
- Insertion Loss:
1-100MHz:-1.1dB Max
- Return Loss(dB Min):
1-40MHz:-18 60MHz:-14
80MHz:-12 100MHz:-10
- Crosstalk:
1-100MHz:-35dB Typ
- Common Mode Rejection(dB Typ):
0.1-30MHz:-38 30-60MHz:-35
60-100MHz:-30
- Isolation Voltage: 1500Vrms
- Operating Temperature: -40°C ~ +85°C.

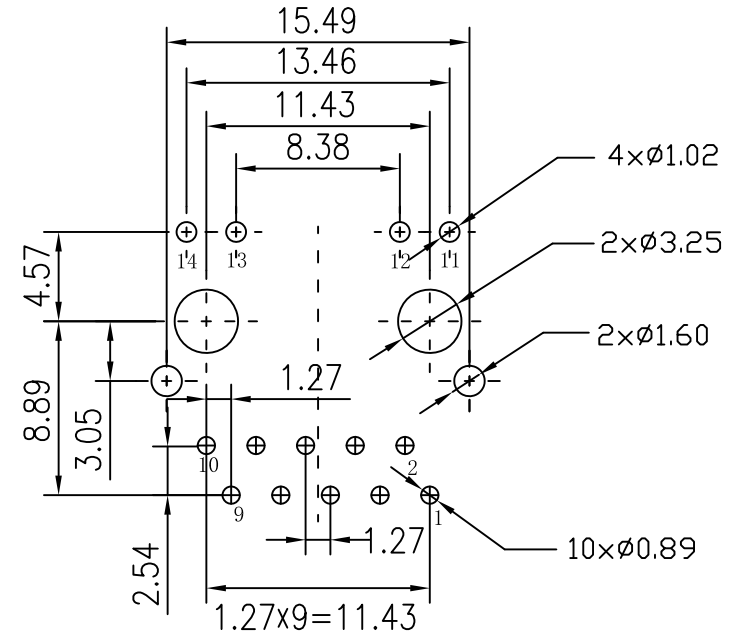
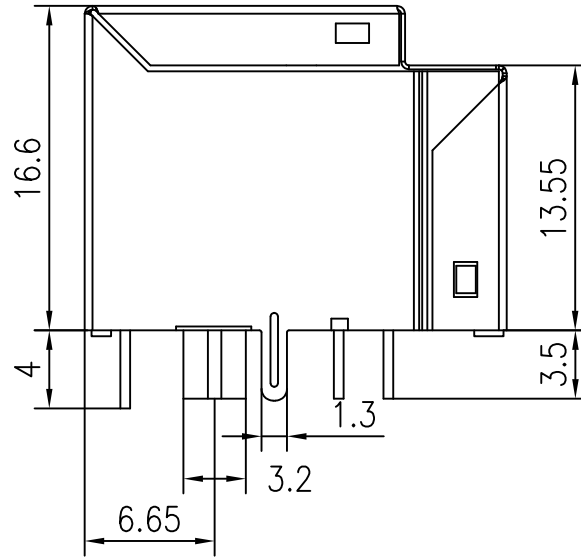
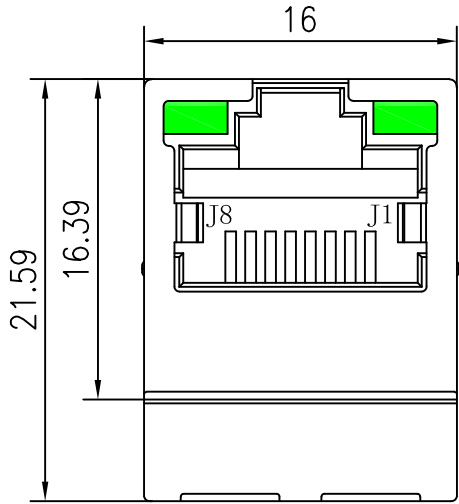


| Emitting Color | λp(nm) | VF@IF=20mA | IR @VR=5V |
|----------------|--------|------------|-----------|
| GREEN | 565 | 1.8~2.6V | 10 μA max |
| YELLOW | 585 | 1.8~2.6V | 10 μA max |

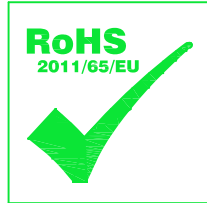
| | | | |
|-------------|------------|---|---------------------------|
| X:X ±0.30 | APPD: | LINK-PP INT'L TECHNOLOGY CO., LIMITED | |
| X:XX ±0.25 | CHKD: | TITLE: Vertical RJ45 Connector With 1000 Magnetic | |
| X:XXX ±0.05 | DR: TOM | PART NO.: LPJD4773BFNL | |
| ANGLES ±1° | UNIT: mm | PART NO.: LPJD4773BFNL | |
| | SCALE: 2/1 | SHEET: 1/2 | REV: A DWG NO.: LP1011137 |

Mechanical :

| REV. | ECN NO. | DESCRIPTION | DATE | APPD |
|------|---------|-------------|------------|------|
| A | REL | | 2010/11/13 | |

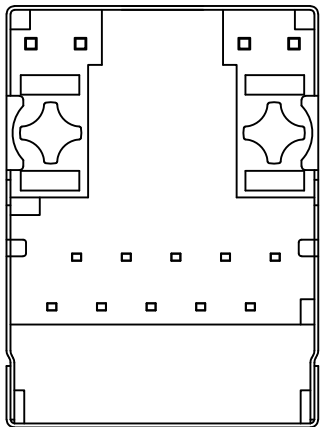


SUGGESTED PCB LAYOUT (TOP VIEW)



NOTES:

1. Designed to support application, such as SOHO (ADSL modems), LAN-on Motherboard (LOM), hub and Switches.
2. Meets IEEE 802.3 specification
3. Connector Materials:
 Housing Material: Thermoplastic PBT+30%G.F UL94V-0
 Contact Material: Phosphor Bronze C5210R-EH Thickness=0.35mm
 Pins: Brass C2680R-H Thickness=0.35mm
 Shield: Copper alloy Brass H65Y Thickness=0.2mm
 Contact plating: Gold 6 micro-inches Min. In contact area.
4. Wave solder tip temperature: 250°C, 5 Sec.
5. UL Certification: File Number E484635.



| | | | | |
|--------|------------|------------|---|--|
| X:X | ±0.30 | APPD: | LINK-PP INT'L TECHNOLOGY CO., LIMITED | |
| X:XX | ±0.25 | CHKD: | TITLE: Vertical RJ45 Connector With 1000 Magnetic | |
| X:XXX | ±0.05 | DR: TOM | PART NO.: LPJD4773BFNL | |
| ANGLES | ±1° | UNIT: mm | DWG NO.: LP1011137 | |
| | SCALE: 2/1 | SHEET: 1/2 | REV: A | |