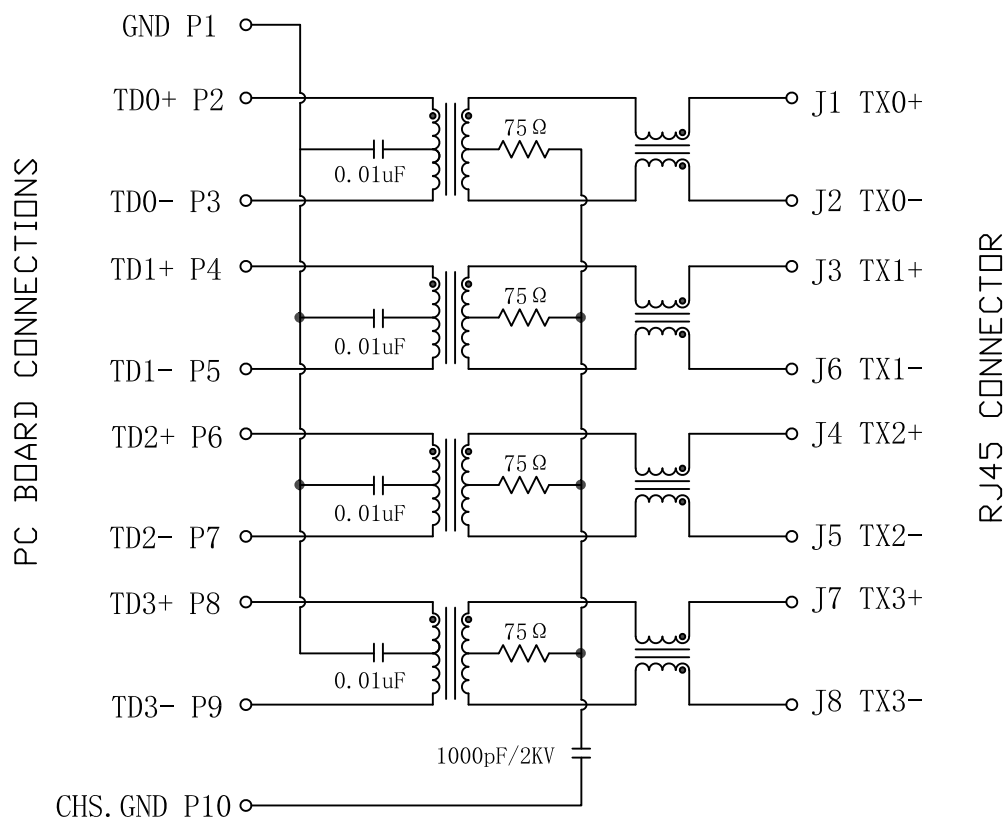
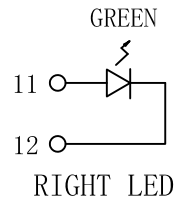
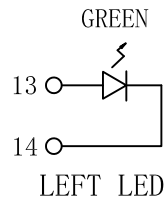


# Schematic:



RJ45 CONNECTOR



REV.	ECN NO.	DESCRIPTION	DATE	APPD
A	REL		2014/10/16	

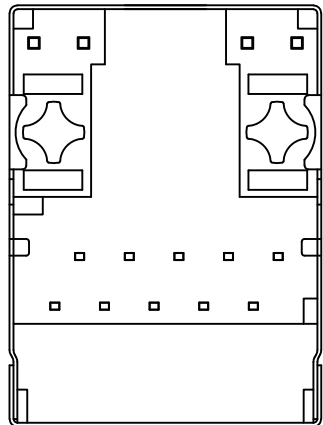
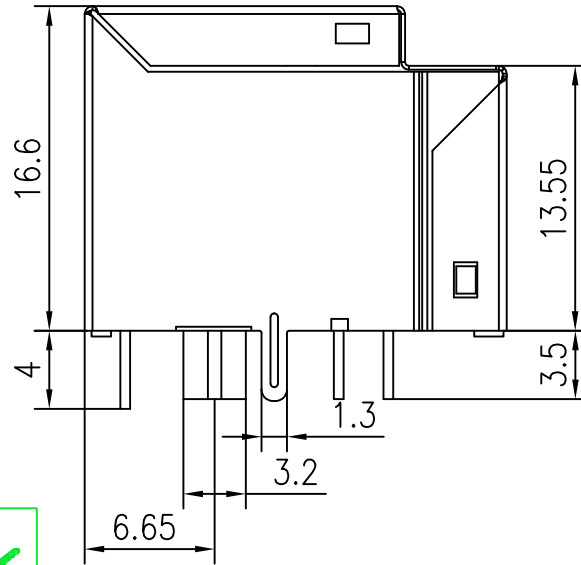
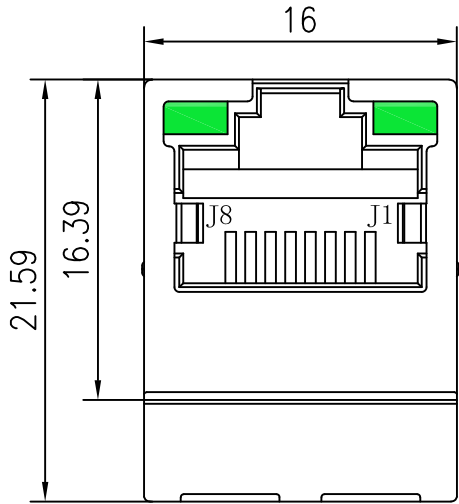
## ELECTRICAL SPECIFICATIONS @25°C

- Turn Ratio( $\pm 2\%$ ):  
1CT : 1CT
- Inductance OCL: 350uH Min  
@100KHz, 0.1V, 8mA DC Bias
- Insertion Loss:  
-0.5dB Max @1-65MHz  
-0.8dB Max @65-100MHz  
-1.2dB Max @100-125MHz
- Return Loss:  
-16dB Min. (Load 100 OHM) @1-30MHz  
-13.5dB Min. (Load 100 OHM) @30-40MHz  
-11.5dB Min. (Load 100 OHM) @40-50MHz  
-10dB Min. (Load 100 OHM) @60-80MHz
- Cross talk:  
-30dB MIN @1-100MHz
- Common Mode Rejection:  
-30dB MIN @1-100MHz
- Hipot Test: 1500Vrms MIN
- Operating Temperature: -40°C ~ +85°C.

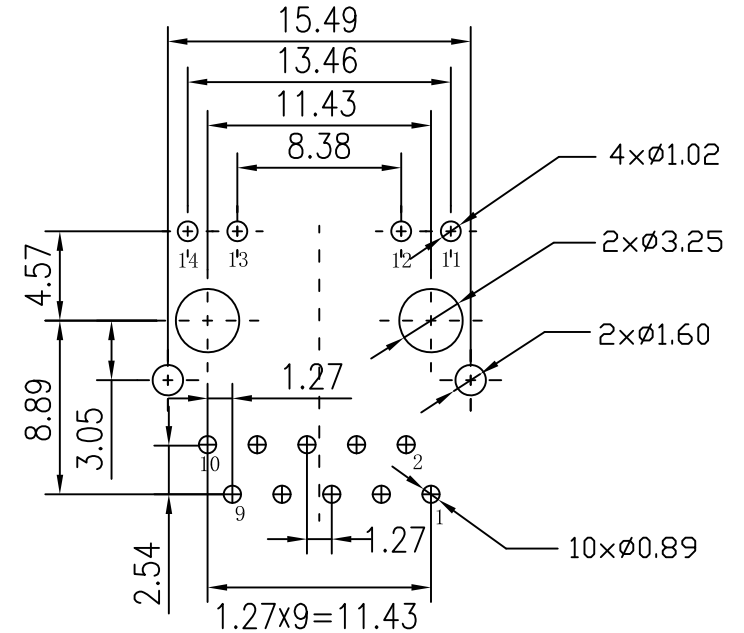
Emitting Color	$\lambda_p$ (nm)	V <sub>F</sub> @I <sub>F</sub> =20mA	I <sub>R</sub> @V <sub>R</sub> =5V
GREEN	565	1.8~2.6V	10 μA max
YELLOW	585	1.8~2.6V	10 μA max

X:X	±0.30	APPD:	LINK-PP INT'L TECHNOLOGY CO., LIMITED
X:XX	±0.25	CHKD:	
X:XXX	±0.05	DR: TOM	TITLE: Vertical RJ45 Connector With 1000 Magnetic
ANGLES	±1°	UNIT: mm	PART NO.: LPJD4743BFNL
	SCALE: 2/1	SHEET: 1/2	REV: A
			DWG NO.: LP14111315

# Mechanical :



REV.	ECN NO.	DESCRIPTION	DATE	APPD
A	REL		2014/10/16	



SUGGESTED PCB LAYOUT (TOP VIEW)

## NOTES:

1. Designed to support application, such as SOHO (ADSL modems), LAN-on Motherboard (LOM), hub and Switches.
2. Meets IEEE 802.3 specification
3. Connector Materials:  
 Housing Material: Thermoplastic PBT+30%G.F UL94V-0  
 Contact Material: Phosphor Bronze C5210R-EH Thickness=0.35mm  
 Pins: Brass C2680R-H Thickness=0.35mm  
 Shield: Copper alloy Brass H65Y Thickness=0.2mm  
 Contact plating: Gold 6 micro-inches Min. In contact area.
4. Wave solder tip temperature: 250°C, 5 Sec.
5. UL Certification: File Number E484635.

X:X	±0.30	APPD:	LINK-PP INT'L TECHNOLOGY CO., LIMITED	
X:XX	±0.25	CHKD:	TITLE: Vertical RJ45 Connector With 1000 Magnetic	
X:XXX	±0.05	DR: TOM	PART NO.: LPJD4743BFNL	
ANGLES	±1°	UNIT: mm	PART NO.: LPJD4743BFNL	
	SCALE: 2/1	SHEET: 2/2	REV: A	DWG NO.: LP14111315