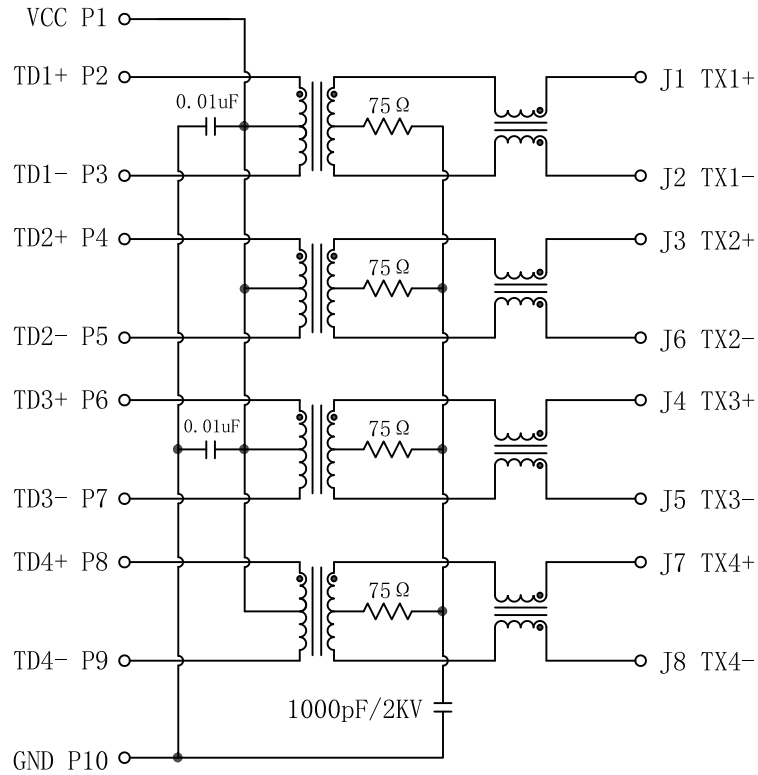


Schematic:

REV.	ECN NO.	DESCRIPTION	DATE	APPD
A	REL		2017-09-13	

PC BOARD CONNECTIONS



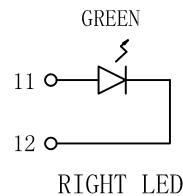
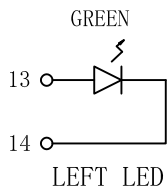
RJ45 CONNECTOR

ELECTRICAL SPECIFICATIONS @25°C

- Turn Ratio ($\pm 2\%$):
Pri : Sec = 1CT : 1CT
- Inductance OCL:
350uH MIN @100KHz 0.1V 8mA DC Bias
- DCR:
1.2Ω MAX
- Insertion Loss:
-1.0dB MAX @1~100MHz
- Return Loss:
-18dB MIN @1~40MHz
-14dB MIN @60MHz
-12dB MIN @80MHz
-10dB MIN @100MHz
- Cross talk:
-35dB MIN @1~30MHz
-32dB MIN @30~60MHz
-30dB MIN @60~100MHz
- Common Mode Rejection:
-30dB MIN @1~100MHz
- Hipot Test: 1500Vrms
- Operating Temperature Range: $-40^{\circ}\text{C} \sim +85^{\circ}\text{C}$



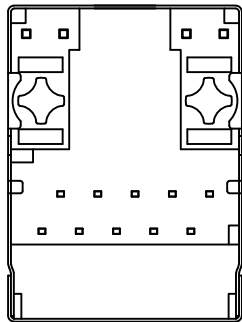
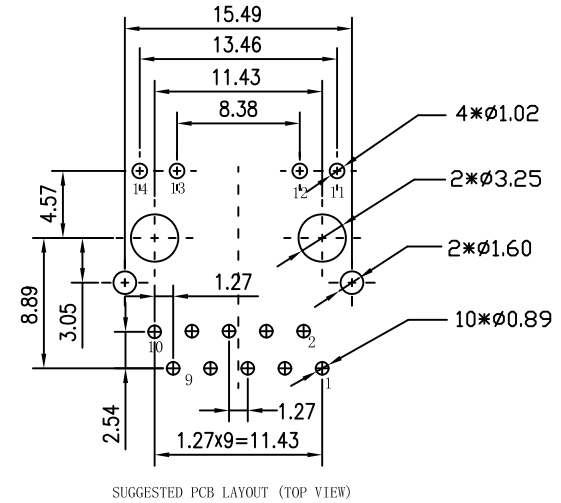
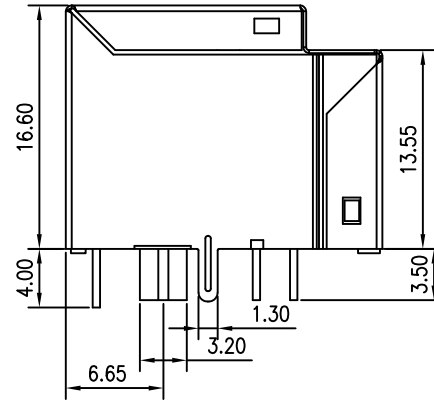
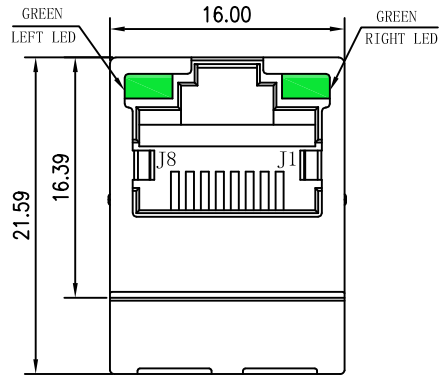
Emitting Color	λ (nm)	VF@IF=20mA	IR @VR=5V
GREEN	565	1.8~2.6V	10 μ A max
YELLOW	585	1.8~2.6V	10 μ A max



X:X ± 0.30	APPD:	LINK-PP INT'L TECHNOLOGY CO., LIMITED	
X:XX ± 0.25	CHKD:	TITLE: Vertical RJ45 Connector with 1000 Base-TX Integrated Magnetics	
X:XXX ± 0.05	DR: TOM	PART NO.: LPJD4726BFNL	
ANGLES $\pm 1^{\circ}$	UNIT: mm	DWG NO.: LP17091316	
	SCALE: 2/1	SHEET: 1/2	REV: A

Mechanical:

REV.	ECN NO.	DESCRIPTION	DATE	APPD
A	REL		2017-09-13	



NOTES:

1. Designed to support application, such as SOHO (ADSL modems), LAN-on-Motherboard (LOM), hub and Switches.
2. Meets IEEE 802.3 specification
3. Connector Materials:
Housing Material: Thermoplastic PBT+30%G. F UL94V-0
Contact Material: Phosphor Bronze C5210R-EH Thickness=0.35mm
Pins: Brass C2680R-H Thickness=0.35mm
Shield: Copper alloy Brass H65Y Thickness=0.2mm
Contact plating: Gold 6 micro-inches min. In contact area.
4. Wave solder tip temperature: 250°C, 5 Sec.
5. UL Certification: File Number E484635.

X:X	± 0.30	APPD:	LINK-PP INT'L TECHNOLOGY CO., LIMITED
X:XX	± 0.25	CHKD:	
X:XXX	± 0.05	DR: TOM	TITLE: Vertical RJ45 Connector with 1000 Base-TX Integrated Magnetics
ANGLES	$\pm 1^\circ$	UNIT: mm	PART NO.: LPJD4726BFNL
	SCALE: 2/1	SHEET: 2/2	REV: A
			DWG NO.: LP17091316