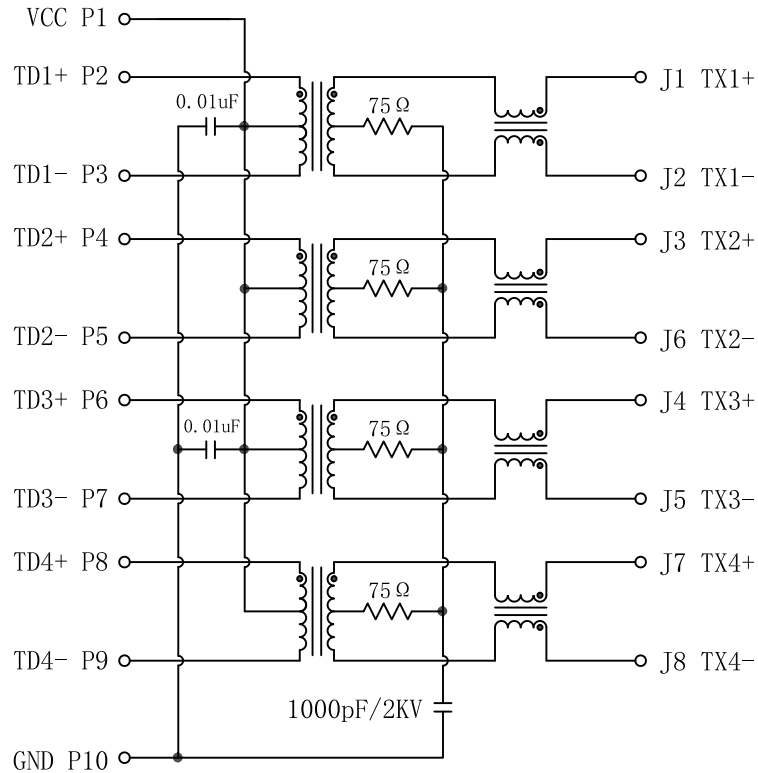


Schematic:

| REV. | ECN NO. | DESCRIPTION | DATE | APPD |
|------|---------|-------------|------------|------|
| A | REL | | 2017-09-13 | |

PC BOARD CONNECTIONS



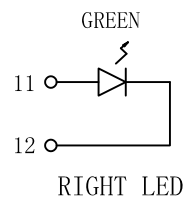
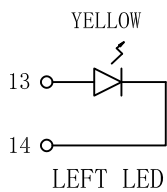
RJ45 CONNECTOR

ELECTRICAL SPECIFICATIONS @25°C

- Turn Ratio ($\pm 2\%$):
Pri : Sec = 1CT : 1CT
- Inductance OCL:
350uH MIN @100KHz 0.1V 8mA DC Bias
- DCR:
1.2 Ω MAX
- Insertion Loss:
-1.0dB MAX @1~100MHz
- Return Loss:
-18dB MIN @1~40MHz
-14dB MIN @60MHz
-12dB MIN @80MHz
-10dB MIN @100MHz
- Cross talk:
-35dB MIN @1~30MHz
-32dB MIN @30~60MHz
-30dB MIN @60~100MHz
- Common Mode Rejection:
-30dB MIN @1~100MHz
- Hipot Test: 1500Vrms
- Operating Temperature Range: $-40^{\circ}\text{C} \sim +85^{\circ}\text{C}$



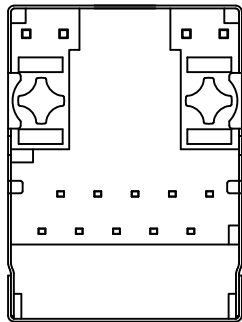
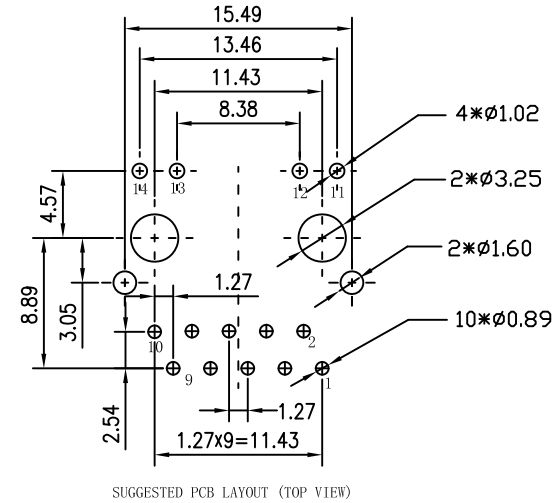
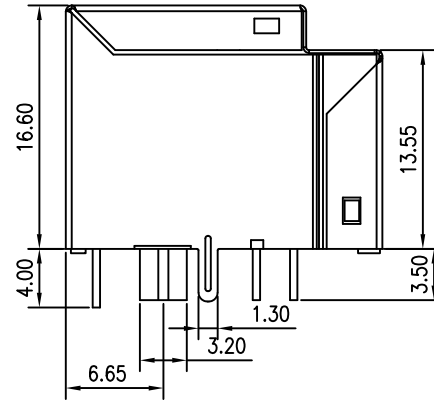
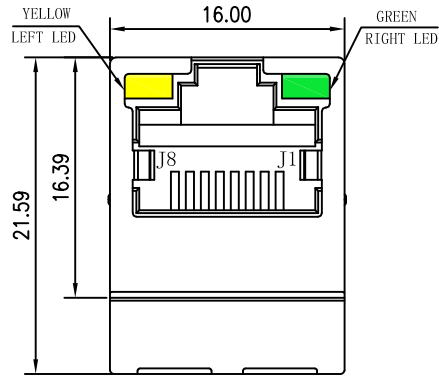
| Emitting Color | λ (nm) | VF@IF=20mA | IR @VR=5V |
|----------------|----------------|------------|----------------------|
| GREEN | 565 | 1.8~2.6V | 10 μA max |
| YELLOW | 585 | 1.8~2.6V | 10 μA max |



| | | |
|------------------------|------------|---|
| X:X ± 0.30 | APPD: | LINK-PP INT'L TECHNOLOGY CO., LIMITED |
| X:XX ± 0.25 | CHKD: | |
| X:XXX ± 0.05 | DR: TOM | TITLE: Vertical RJ45 Connector with 1000 Base-TX Integrated Magnetics |
| ANGLES $\pm 1^{\circ}$ | UNIT: mm | PART NO.: LPJD4726BDNL |
| | SCALE: 2/1 | SHEET: 1/2 |
| | REV: A | DWG NO.: LP17091315 |

Mechanical:

| REV. | ECN NO. | DESCRIPTION | DATE | APPD |
|------|---------|-------------|------------|------|
| A | REL | | 2017-09-13 | |



NOTES:

1. Designed to support application, such as SOHO (ADSL modems), LAN-on-Motherboard (LOM), hub and Switches.
2. Meets IEEE 802.3 specification
3. Connector Materials:
 Housing Material: Thermoplastic PBT+30%G. F UL94V-0
 Contact Material: Phosphor Bronze C5210R-EH Thickness=0.35mm
 Pins: Brass C2680R-H Thickness=0.35mm
 Shield: Copper alloy Brass H65Y Thickness=0.2mm
 Contact plating: Gold 6 micro-inches min. In contact area.
4. Wave solder tip temperature: 250°C, 5 Sec.
5. UL Certification: File Number E484635.

| | | |
|-------------|------------|---|
| X:X ±0.30 | APPD: | LINK-PP INT'L TECHNOLOGY CO., LIMITED |
| X:XX ±0.25 | CHKD: | |
| X:XXX ±0.05 | DR: TOM | TITLE: Vertical RJ45 Connector with 1000 Base-TX Integrated Magnetics |
| ANGLES ±1° | UNIT: mm | PART NO.: LPJD4726BDNL |
| | SCALE: 2/1 | SHEET: 2/2 |
| | REV: A | DWG NO.: LP17091315 |