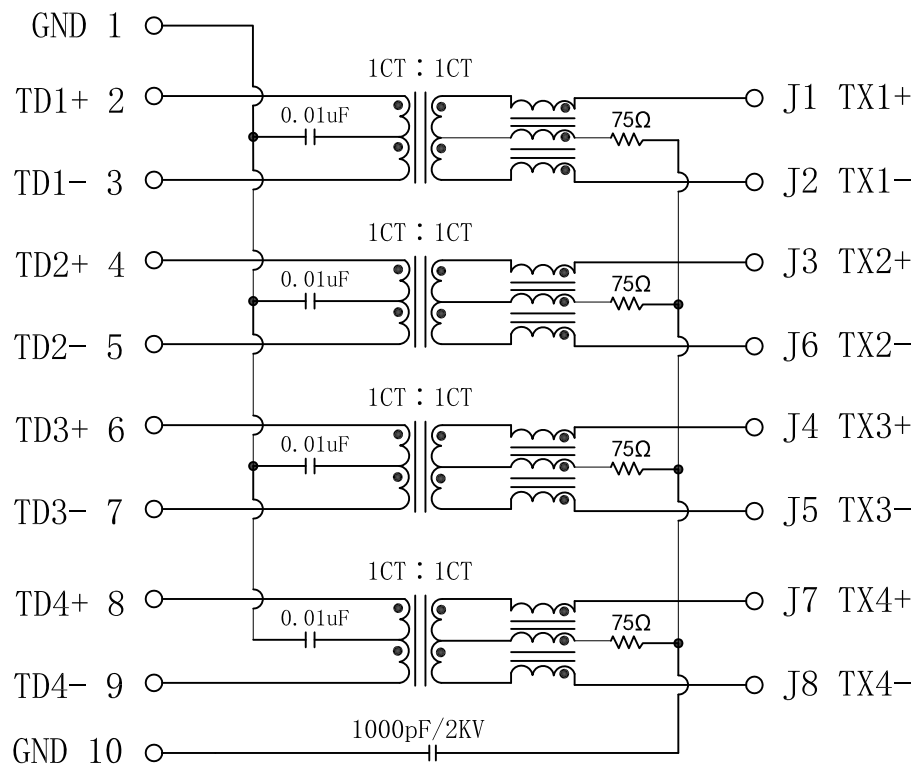


# Schematic:

| REV. | ECN NO. | DESCRIPTION | DATE       | APPD |
|------|---------|-------------|------------|------|
| A    | REL     |             | 2014/10/16 |      |

PCB CONNECTIONS

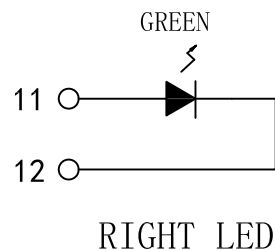
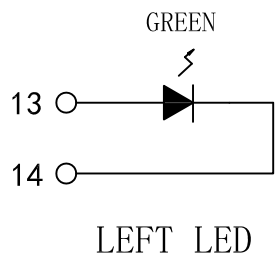


RJ45 CONNECTOR

## ELECTRICAL SPECIFICATIONS @25°C

- Turn Ratio ( $\pm 2\%$ ):  
Pri : Sec = 1CT : 1CT
- Inductance OCL: 350uH Min  
@100KHz, 0.1V, 8mA DC Bias
- Insertion Loss:  
-1.0dB Max @ 1-100MHz
- Return Loss:  
-18dB Min. @ 1-40MHz  
-14dB Min. @ 60MHz  
-12dB Min. @ 80MHz  
-10dB Min. @ 100MHz
- Cross talk:  
-30dB MIN @ 1-100MHz
- Common Mode Rejection:  
-30dB MIN @ 1-100MHz
- Hipot Test: 1500Vrms MIN
- Operating Temperature: -40°C TO +85°C

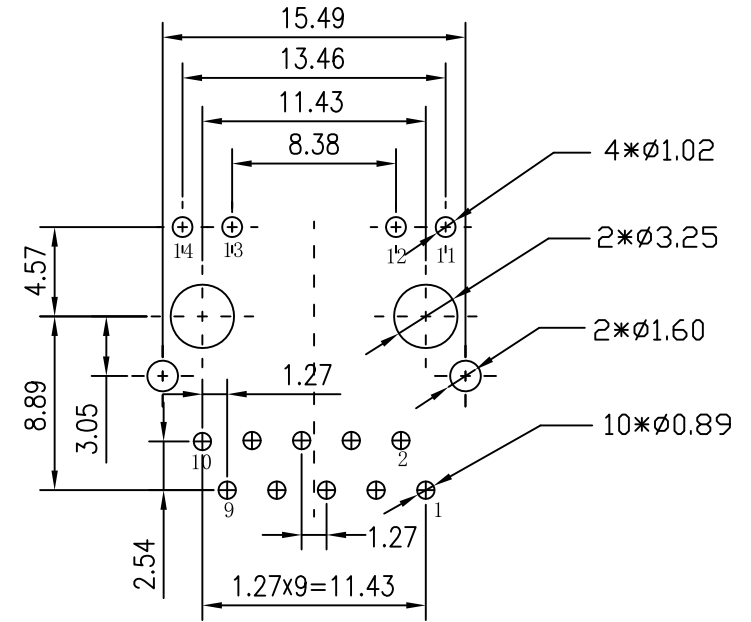
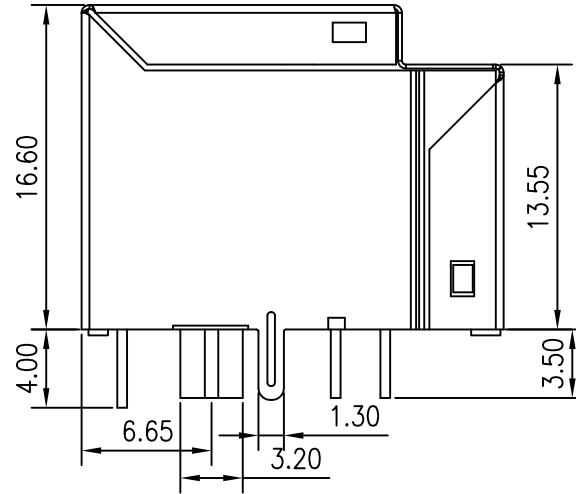
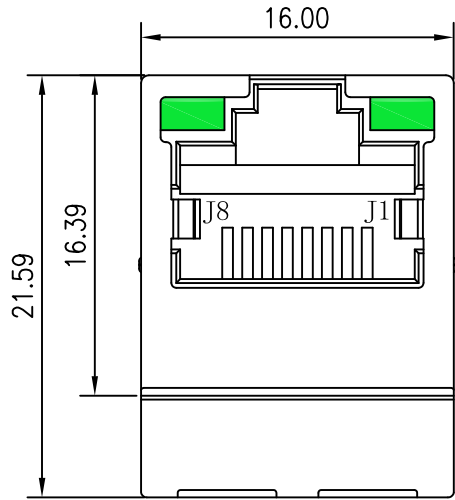
| Emitting Color | $\lambda$ p(nm) | VF@IF=20mA | IR @VR=5V      |
|----------------|-----------------|------------|----------------|
| GREEN          | 565             | 1.8~2.6V   | 10 $\mu$ A max |



|        |               |            |  |
|--------|---------------|------------|--|
| X:X    | $\pm 0.30$    | APPD:      | LINK-PP INT'L TECHNOLOGY CO., LIMITED                |
| X:XX   | $\pm 0.25$    | CHKD:      |  |
| X:XXX  | $\pm 0.05$    | DR: TOM    | TITLE: Vertical RJ45 Connector With<br>1000 Magnetic |
| ANGLES | $\pm 1^\circ$ | UNIT: mm   | PART NO.: LPJD4718BFNL                               |
|        | SCALE: 2/1    | SHEET: 1/2 | REV: A DWG NO.: LP14111312                           |

# Mechanical :

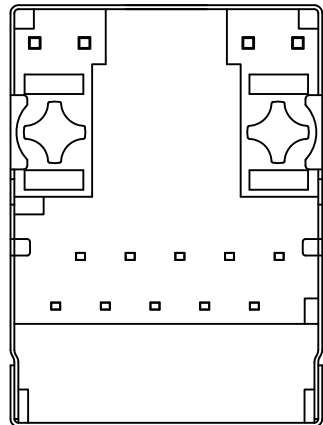
| REV. | ECN NO. | DESCRIPTION | DATE       | APPD |
|------|---------|-------------|------------|------|
| A    | REL     |             | 2014/10/16 |      |



SUGGESTED PCB LAYOUT (TOP VIEW)

## NOTES:

1. Designed to support application, such as SOHO (ADSL modems), LAN-on-Motherboard (LOM), hub and Switches.
2. Meets IEEE 802.3 specification
3. Connector Materials:  
 Housing Material: Thermoplastic PBT+30%G.F UL94V-0  
 Contact Material: Phosphor Bronze C5210R-EH Thickness=0.35mm  
 Pins: Brass C2680R-H Thickness=0.35mm  
 Shield: Copper alloy Brass H65Y Thickness=0.2mm  
 Contact plating: Gold 6 micro-inches min. In contact area.
4. Wave solder tip temperature: 265°C Max, 5 Sec Max
5. UL Certification: File Number E484635



|        |            |            |   |                     |
|--------|------------|------------|---|---------------------|
| X:X    | ±0.30      | APPD:      | LINK-PP INT'L TECHNOLOGY CO., LIMITED             |                     |
| X:XX   | ±0.25      | CHKD:      | TITLE: Vertical RJ45 Connector With 1000 Magnetic |                     |
| X:XXX  | ±0.05      | DR: TOM    | PART NO.: LPJD4718BFNL                            |                     |
| ANGLES | ±1°        | UNIT: mm   |   |                     |
|        | SCALE: 2/1 | SHEET: 2/2 | REV: A  | DWG NO.: LP14111312 |