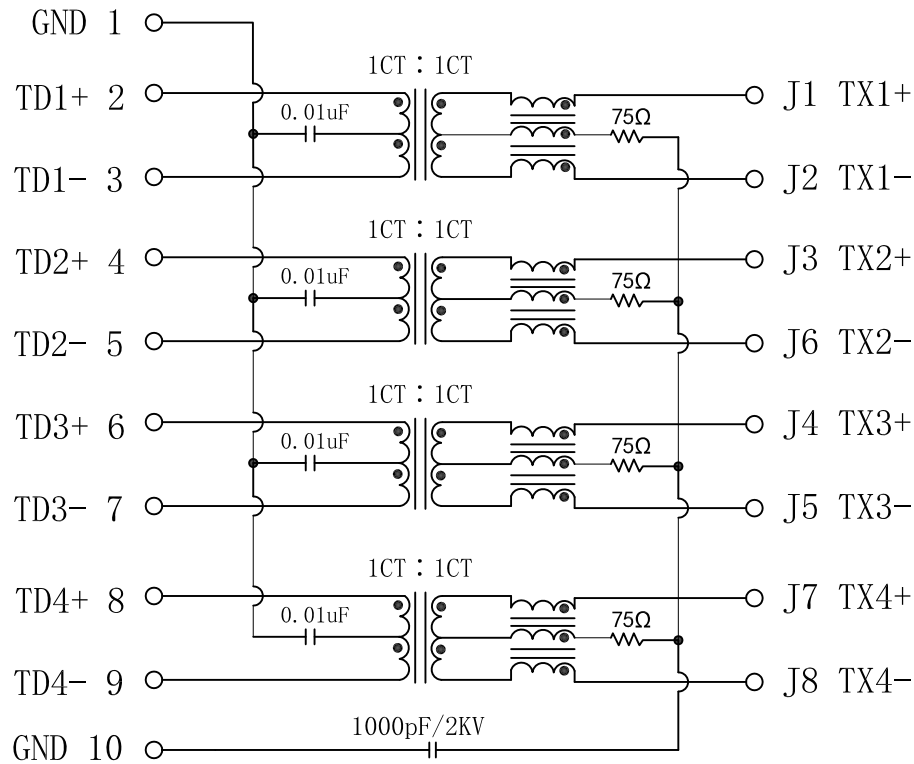


# Schematic:

REV.	ECN NO.	DESCRIPTION	DATE	APPD
A	REL		2014/10/16	

PCB CONNECTIONS

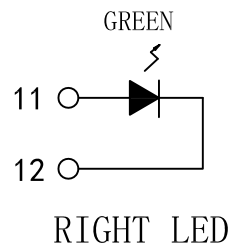
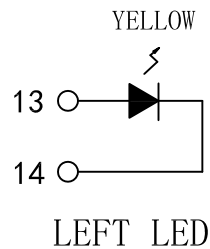


RJ45 CONNECTOR

## ELECTRICAL SPECIFICATIONS @25°C

- Turn Ratio ( $\pm 2\%$ ):  
Pri : Sec = 1CT : 1CT
- Inductance OCL: 350uH Min  
@100KHz, 0.1V, 8mA DC Bias
- Insertion Loss:  
-1.0dB Max @ 1-100MHz
- Return Loss:  
-18dB Min. @ 1-40MHz  
-14dB Min. @ 60MHz  
-12dB Min. @ 80MHz  
-10dB Min. @ 100MHz
- Cross talk:  
-30dB MIN @ 1-100MHz
- Common Mode Rejection:  
-30dB MIN @ 1-100MHz
- Hipot Test: 1500Vrms MIN
- Operating Temperature: -40°C TO +85°C

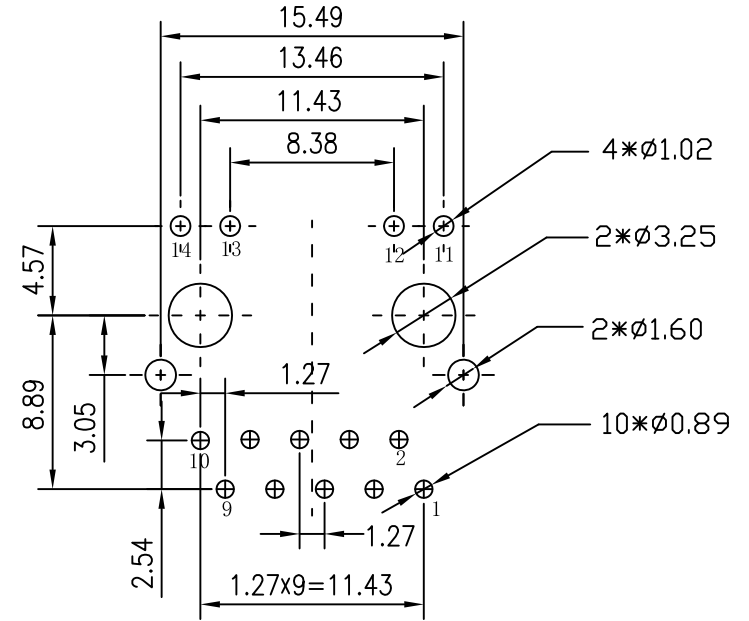
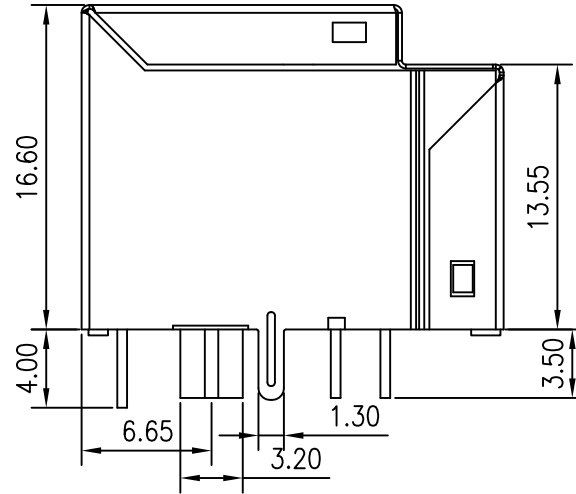
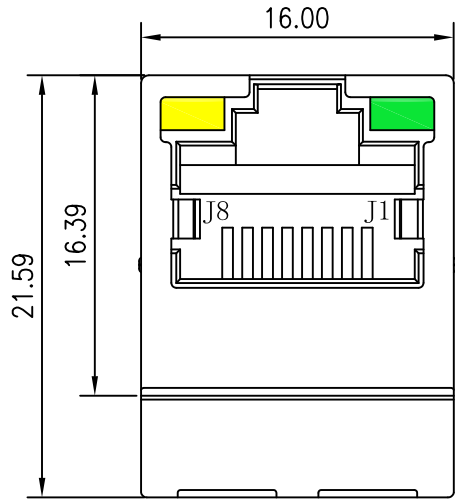
Emitting Color	$\lambda$ p(nm)	VF@IF=20mA	IR @VR=5V
YELLOW	585	1.8~2.6V	10 $\mu$ A max
GREEN	565	1.8~2.6V	10 $\mu$ A max



X:X	$\pm 0.30$	APPD:	LINK-PP INT'L TECHNOLOGY CO., LIMITED
X:XX	$\pm 0.25$	CHKD:	
X:XXX	$\pm 0.05$	DR: TOM	TITLE: Vertical RJ45 Connector With 1000 Magnetic
ANGLES	$\pm 1^\circ$	UNIT: mm	PART NO.: LPJD4718BDNL
	SCALE: 2/1	SHEET: 1/2	REV: A DWG NO.: LP14111315

# Mechanical :

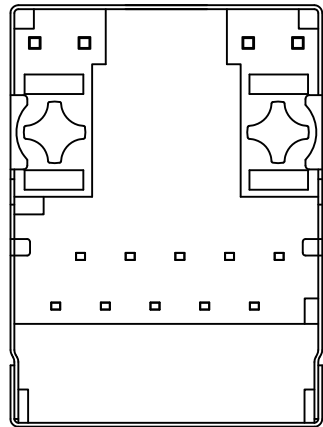
REV.	ECN NO.	DESCRIPTION	DATE	APPD
A	REL		2014/10/16	



SUGGESTED PCB LAYOUT (TOP VIEW)

## NOTES:

1. Designed to support application, such as SOHO (ADSL modems), LAN-on-Motherboard (LOM), hub and Switches.
2. Meets IEEE 802.3 specification
3. Connector Materials:  
 Housing Material: Thermoplastic PBT+30%G.F UL94V-0  
 Contact Material: Phosphor Bronze C5210R-EH Thickness=0.35mm  
 Pins: Brass C2680R-H Thickness=0.35mm  
 Shield: Copper alloy Brass H65Y Thickness=0.2mm  
 Contact plating: Gold 6 micro-inches min. In contact area.
4. Wave solder tip temperature: 265°C Max, 5 Sec Max
5. UL Certification: File Number E484635



X:X	±0.30	APPD:	LINK-PP INT'L TECHNOLOGY CO., LIMITED	
X:XX	±0.25	CHKD:	TITLE: Vertical RJ45 Connector With 1000 Magnetic	
X:XXX	±0.05	DR: TOM	PART NO.: LPJD4718BDNL	
ANGLES	±1°	UNIT: mm		
	SCALE: 2/1	SHEET: 2/2	REV: A	DWG NO.: LP14111315