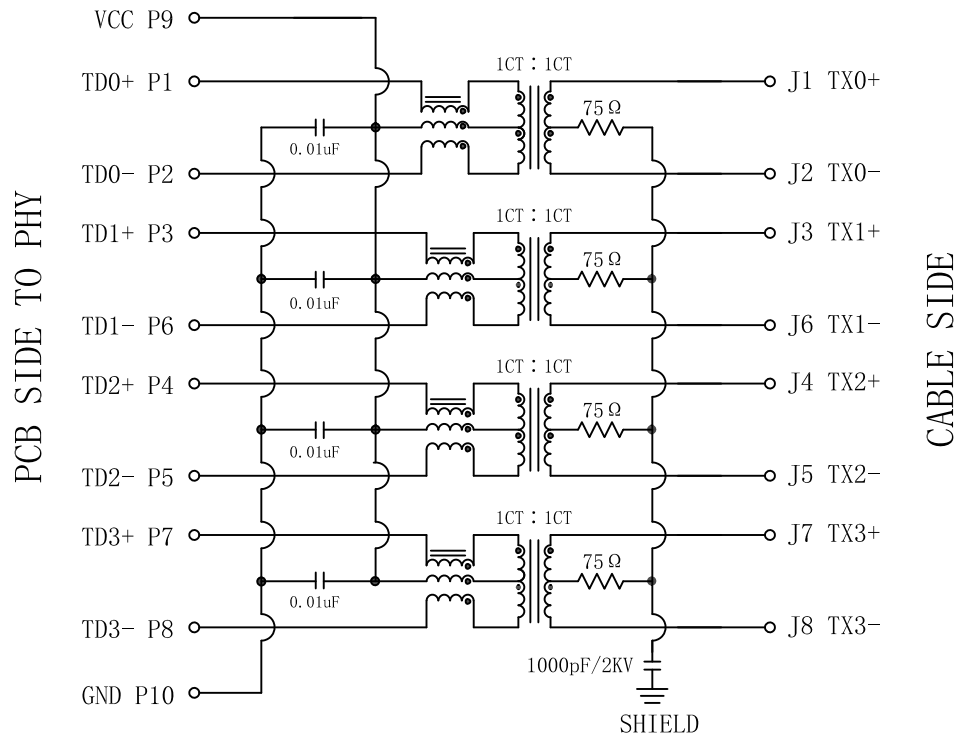


# Schematic:

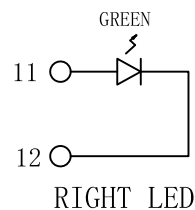
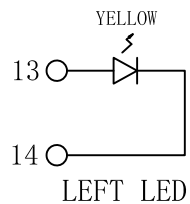
REV.	ECN NO.	DESCRIPTION	DATE	APPD
A	REL		2017/06/20	



## ELECTRICAL SPECIFICATIONS@25°C

- Turn Ratio( $\pm 2\%$ ):  
Pri : Sec = 1CT : 1CT
- Inductance OCL: 350uH Min  
@100KHz, 0.1V, 8mA DC Bias
- Insertion Loss:  
0.5~100MHz:-1.1dB Max
- Return Loss(dB Min):  
0.5~40MHz:-18  
60MHz:-14  
80MHz:-12  
100MHz:-10
- Cross talk(dB Min):  
0.5~40MHz:-35  
40.1~100MHz:-30
- Common Mode Rejection Ratio(CMRR):  
0.5~100MHz:-30dB Min
- Hipot Test: 1500Vrms Min
- Operating Temperature Range: -40°C ~ +85°C.

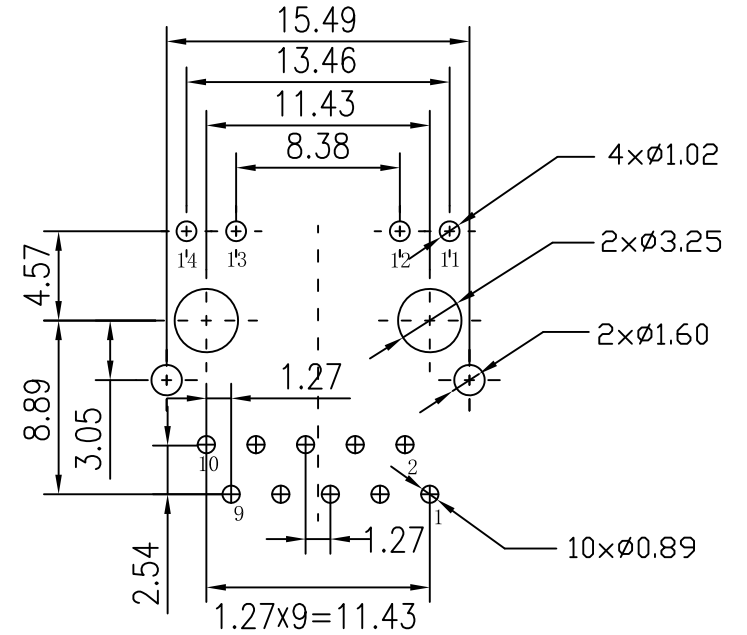
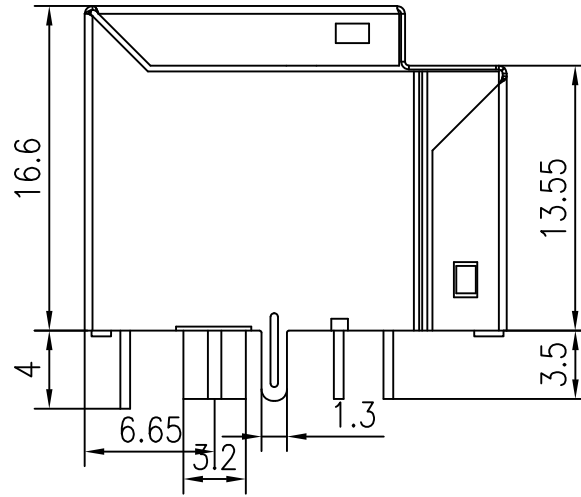
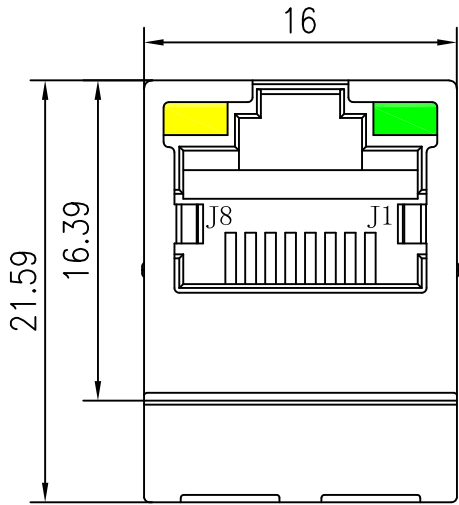
Emitting Color	$\lambda_p$ (nm)	V <sub>F@I<sub>F</sub></sub> =20mA	I <sub>R @V<sub>R</sub></sub> =5V
GREEN	565	1.8~2.6V	10 $\mu$ A max
YELLOW	585	1.8~2.6V	10 $\mu$ A max



X:X	$\pm 0.30$	APPD:	LINK-PP INT'L TECHNOLOGY CO., LIMITED	
X:XX	$\pm 0.25$	CHKD:	TITLE: Vertical RJ45 Connector With 1000 Magnetic	
X:XXX	$\pm 0.05$	DR: TOM	PART NO.: LPJD4717BDNL	
ANGLES	$\pm 1^\circ$	UNIT: mm	DWG NO.: LP17062025	
	SCALE: 2/1	SHEET: 1/2	REV: A	

# Mechanical :

REV.	ECN NO.	DESCRIPTION	DATE	APPD
A	REL		2017/06/20	



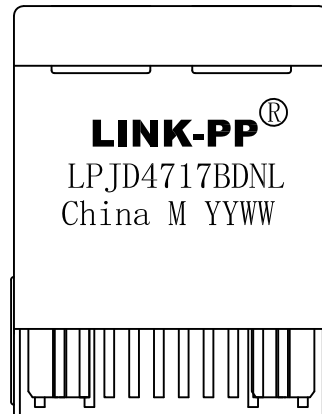
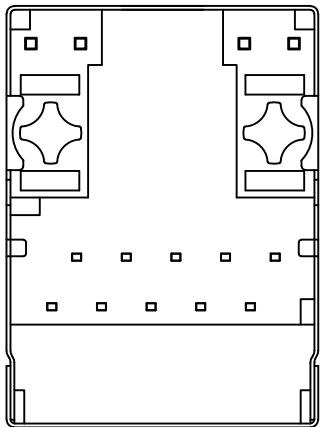
## NOTES :

SUGGESTED PCB LAYOUT (TOP VIEW)

1. Designed to support application, such as SOHO (ADSL modems), LAN-on Motherboard (LOM), hub and Switches.
2. Meets IEEE 802.3 specification
3. Connector Materials:

Housing Material: Thermoplastic PBT+30%G. F UL94V-0  
 Contact Material: Phosphor Bronze C5210R-EH Thickness=0.35mm  
 Pins: Brass C2680R-H Thickness=0.35mm  
 Shield: Copper alloy Brass H65Y Thickness=0.2mm  
 Contact plating: Gold 6 micro-inches Min. In contact area.

4. Wave solder tip temperature: 250°C, 5 Sec.
5. UL Certification: File Number E484635.



X:X	±0.30	APPD:	LINK-PP INT'L TECHNOLOGY CO., LIMITED	
X:XX	±0.25	CHKD:	TITLE: Vertical RJ45 Connector With 1000 Magnetic	
X:XXX	±0.05	DR: TOM	PART NO.: LPJD4717BDNL	
ANGLES	±1°	UNIT: mm	DWG NO.: LP17062025	
	SCALE: 2/1	SHEET: 2/2	REV: A	