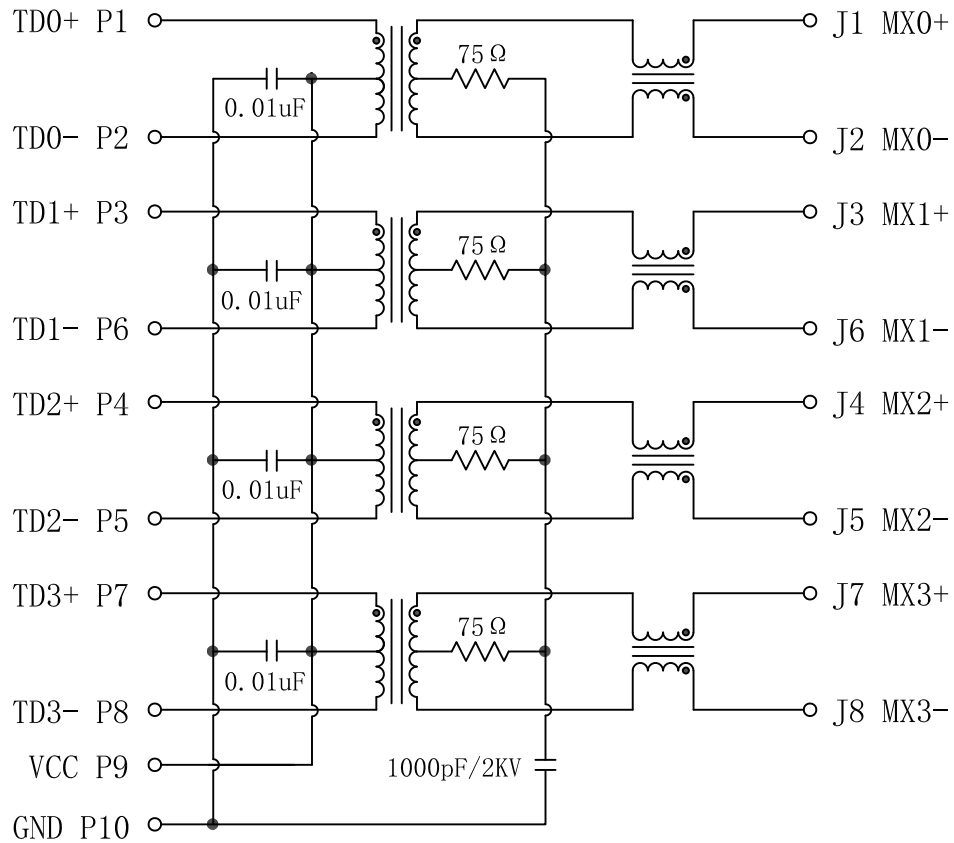


# Schematic:

REV.	ECN NO.	DESCRIPTION	DATE	APPD
A	REL		2010/11/13	

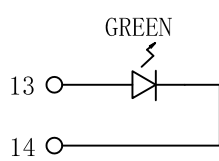
PC BOARD CONNECTIONS



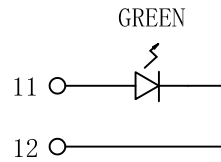
RJ45 CONNECTOR

## Electronics Specifications @25°C

- Turns Ratio ( $\pm 3\%$ ):  
Pri:Sec = 1CT:1CT
- OCL: 350uH MIN  
@100KHz, 0.1V, 8mADC Bias
- Isolation: 1500Vrms
- Insertion Loss:  
-1.1dB MAX @1~100MHz
- Return Loss:  
-18dB MIN @1~40MHz  
-14dB MIN @60MHz  
-12dB MIN @80MHz  
-10dB MIN @100MHz
- Cross Talk:  
-35dB TYP @1~100MHz
- CMR:  
-50dB TYP @0.1~30MHz  
-40dB TYP @30~60MHz  
-35dB TYP @60~100MHz
- Operating Temperature: -40°C ~ +85°C.



LEFT LED



RIGHT LED

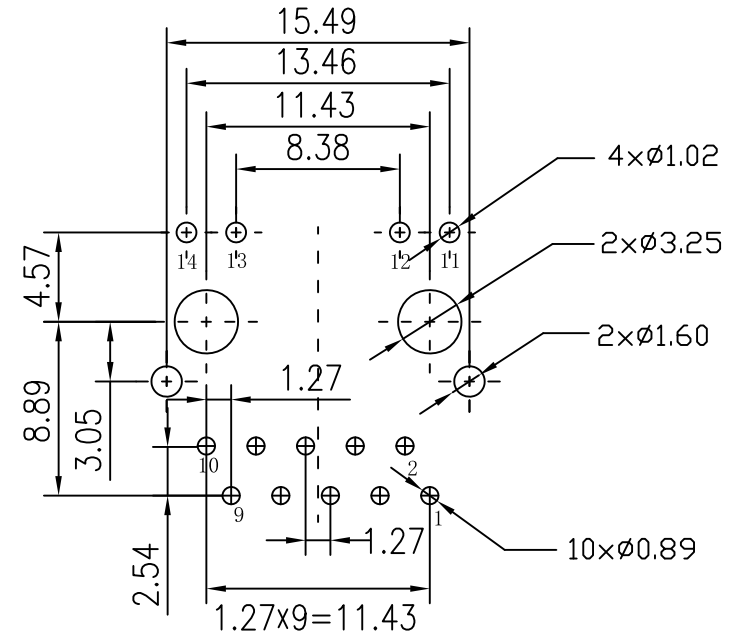
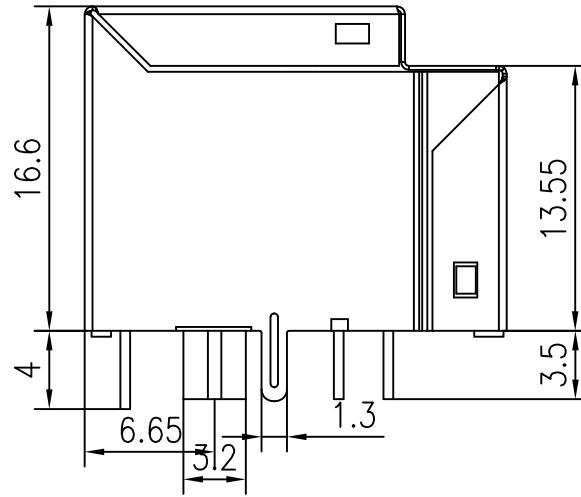
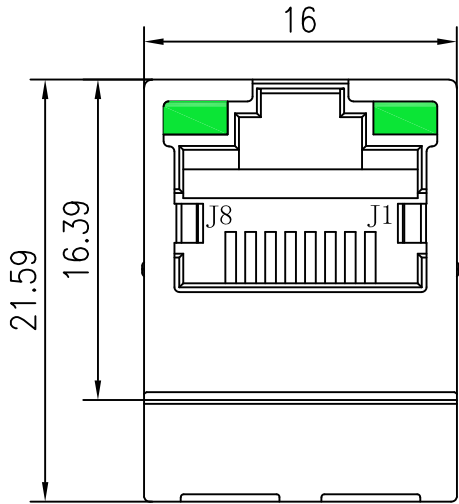


Emitting Color	$\lambda_p$ (nm)	VF@IF=20mA	IR @VR=5V
GREEN	565	1.8~2.6V	10 $\mu$ A max
YELLOW	585	1.8~2.6V	10 $\mu$ A max

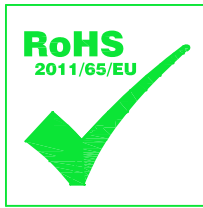
X:X	$\pm 0.30$	APPD:	LINK-PP INT'L TECHNOLOGY CO., LIMITED	
X:XX	$\pm 0.25$	CHKD:	TITLE: Vertical RJ45 Connector With 1000 Magnetic	
X:XXX	$\pm 0.05$	DR: TOM	PART NO.: LPJD4713BFNL	
ANGLES	$\pm 1^\circ$	UNIT: mm		
	SCALE: 2/1	SHEET: 1/2	REV: A	LP10111330

# Mechanical :

REV.	ECN NO.	DESCRIPTION	DATE	APPD
A	REL		2010/11/13	

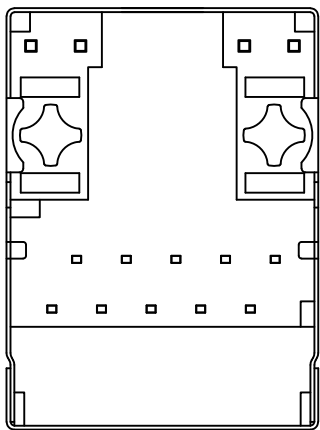


SUGGESTED PCB LAYOUT (TOP VIEW)



## NOTES :

1. Designed to support application, such as SOHO (ADSL modems), LAN-on Motherboard (LOM), hub and Switches.
2. Meets IEEE 802.3 specification
3. Connector Materials:  
 Housing Material: Thermoplastic PBT+30%G. F UL94V-0  
 Contact Material: Phosphor Bronze C5210R-EH Thickness=0.35mm  
 Pins: Brass C2680R-H Thickness=0.35mm  
 Shield: Copper alloy Brass H65Y Thickness=0.2mm  
 Contact plating: Gold 6 micro-inches Min. In contact area.
4. Wave solder tip temperature: 250°C, 5 Sec.
5. UL Certification: File Number E484635.



X:X	±0.30	APPD:	LINK-PP INT'L TECHNOLOGY CO., LIMITED	
X:XX	±0.25	CHKD:	TITLE: Vertical RJ45 Connector With 1000 Magnetic	
X:XXX	±0.05	DR: TOM	PART NO.: LPJD4713BFNL	
ANGLES	±1°	UNIT: mm	DWG NO.: LP10111330	
	SCALE: 2/1	SHEET: 2/2	REV: A	