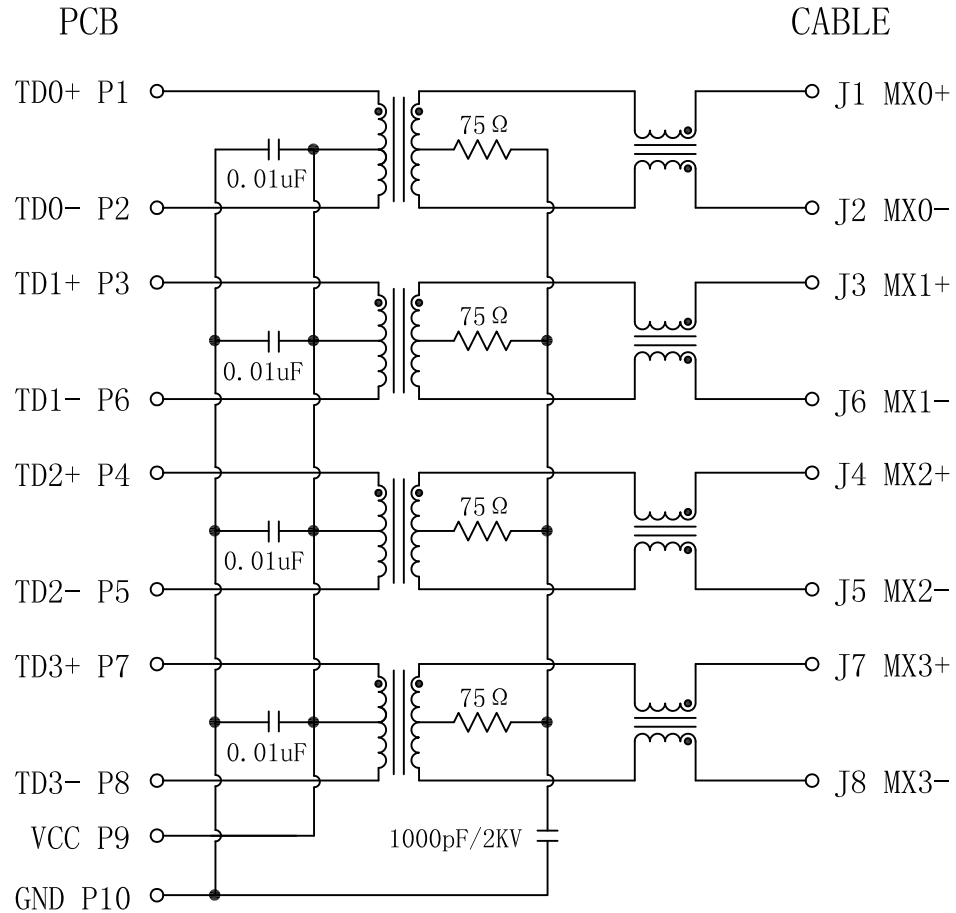


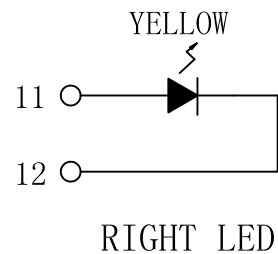
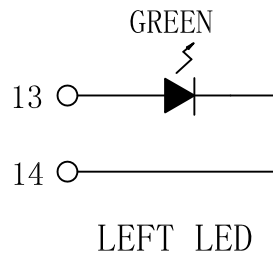
Schematic:

REV.	ECN NO.	DESCRIPTION	DATE	APPD
A	REL		2010/11/13	



Electronics Specifications @25°C

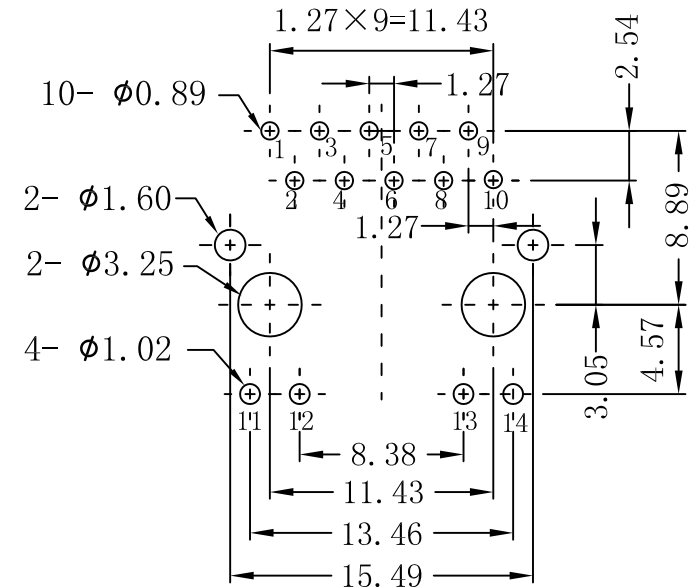
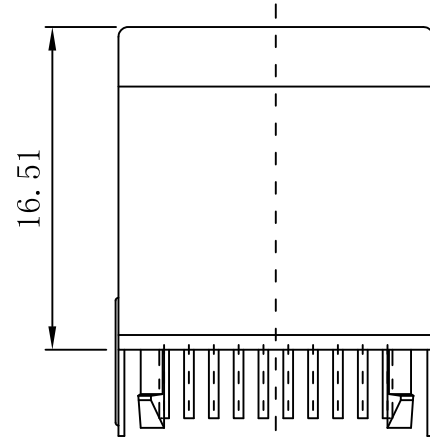
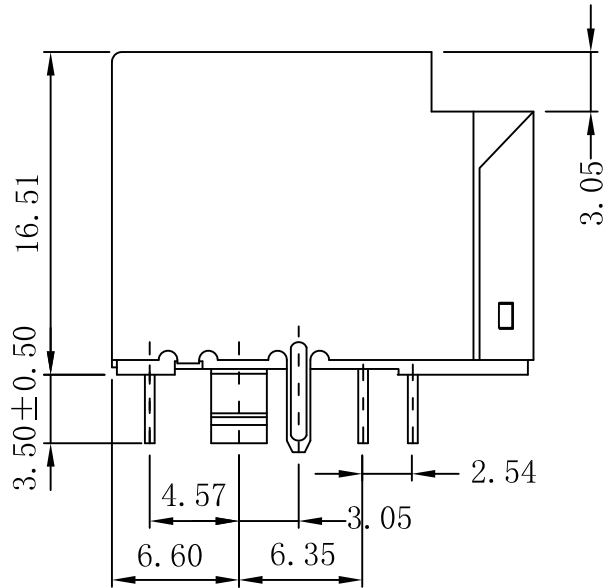
1. TURNS RATIO($\pm 3\%$):
TX=1CT:1CT RX=1CT:1CT
2. OCL: 350uH MIN
@100KHz, 0.1V, 8mADC Bias
3. ISOLATION: 1500Vrms
4. INSERTION LOSS:
-1.1dB MAX @ 1MHz TO 100MHz
5. RETURN LOSS:
-18dB MIN @ 1MHz TO 40MHz
-14dB MIN @ 60MHz
-12dB MIN @ 80MHz
-10dB MIN @ 100MHz
6. CROSS TALK:
-35dB TYP @ 1MHz TO 100MHz
7. CMR:
-50dB TYP @ 0.1MHz TO 30MHz
-40dB TYP @ 30MHz TO 60MHz
-35dB TYP @ 60MHz TO 100MHz
8. OPERATING TEMPERATURE RANGE: $-40^{\circ}\text{C} \sim +85^{\circ}\text{C}$.



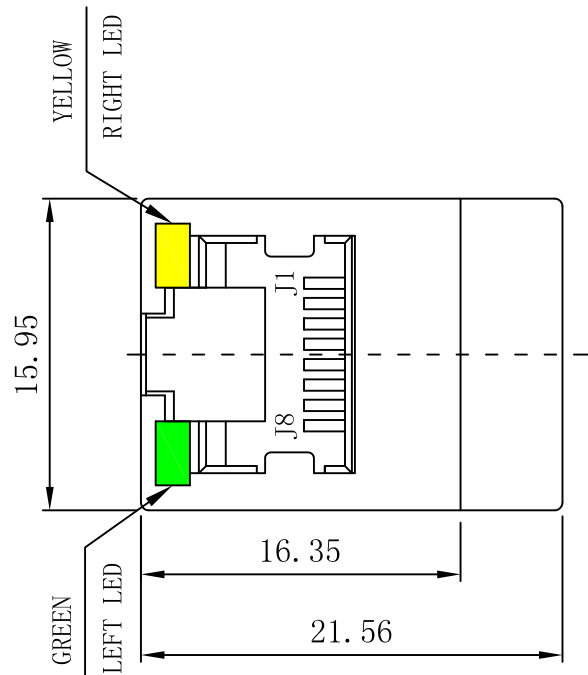
X:X	± 0.20	APPD:	LINK-PP INT'L TECHNOLOGY CO., LIMITED	
X:XX	± 0.10	CHKD:	TITLE: Vertical RJ45 Connector With 1000 Magnetic	
X:XXX	± 0.05	DR: TOM	PART NO.: LPJD4713BENL	
ANGLES	$\pm 1^{\circ}$	UNIT: mm		
	SCALE: 2/1	SHEET: 1/2	REV: A	LP10111320

Mechanical :

REV.	ECN NO.	DESCRIPTION	DATE	APPD
A	REL		2010/11/13	



SUGGESTED PCB LAYOUT (TOP VIEW)



NOTES:

1. Designed to support application, such as SOHO (ADSL modems), LAN-on-Motherboard (LOM), hub and Switches.
2. Meets IEEE 802.3 specification
3. Connector Materials:
 Housing: Thermoplastic UL94V-0
 Contact/Shield: Copper alloy
 Shield plating: Nickel
 Contact plating: Gold 6 micro-inches min. In contact area.
4. Wave solder tip temperature: 260°C
 Wave solder tip temperature time: 5 Sec Max



X:X	±0.20	APPD:	LINK-PP INT'L TECHNOLOGY CO., LIMITED
X:XX	±0.10	CHKD:	
X:XXX	±0.05	DR: TOM	TITLE: Vertical RJ45 Connector With 1000 Magnetic
ANGLES	±1°	UNIT: mm	PART NO.: LPJD4713BENL
	SCALE: 2/1	SHEET: 2/2	REV: A DWG NO.: LP10111320