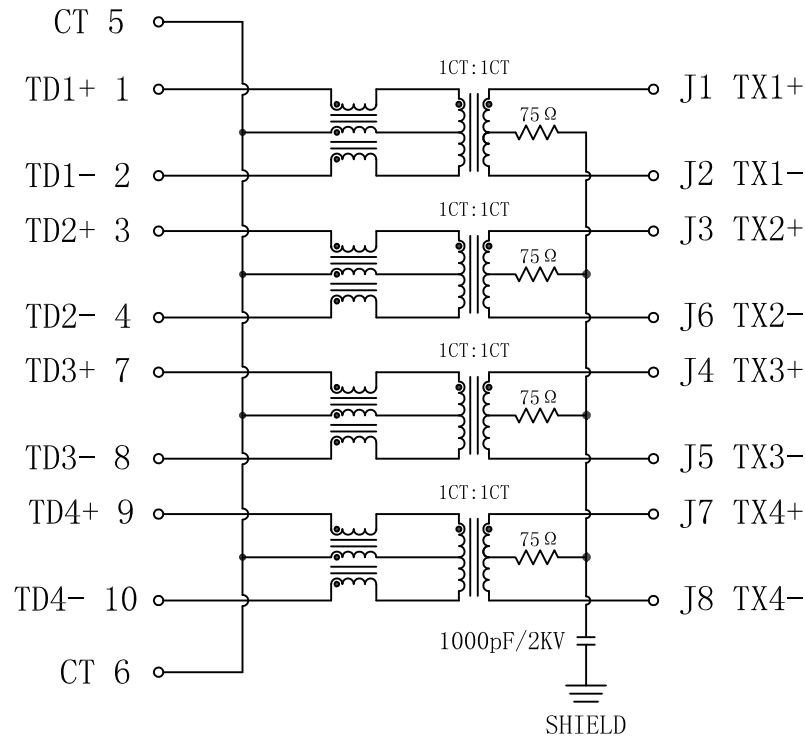


# Schematic:

REV.	ECN NO.	DESCRIPTION	DATE	APPD
A	REL		2015-05-15	

PCB CONNECTIONS



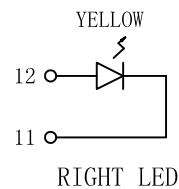
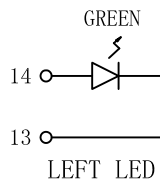
RJ45 CONNECTOR

### Electrical Specifications @ 25°C

- Turns Ratio ( $\pm 5\%$ ):  
Pri : Sec = 1CT : 1CT
- INDUCTANCE (@100KHz, 100mV, 8mA DC Bias):  
J1-J2; J3-J6; J4-J5; J7-J8: 350uH Min
- Insertion Loss:  
1~100MHz: -1.0dB Max
- Return Loss (dB Min. load 100  $\Omega$ ):  
1~30MHz: -18      30~60MHz: -16  
60~80MHz: -12      80~100MHz: -10
- Crosstalk (dB Min):  
1~100MHz: -30
- Common Mode Rejection (dB Min):  
1~100MHz: -30
- Isolation Voltage: 1500Vrms
- Operating Temperature Range: -40°C ~ +85°C.



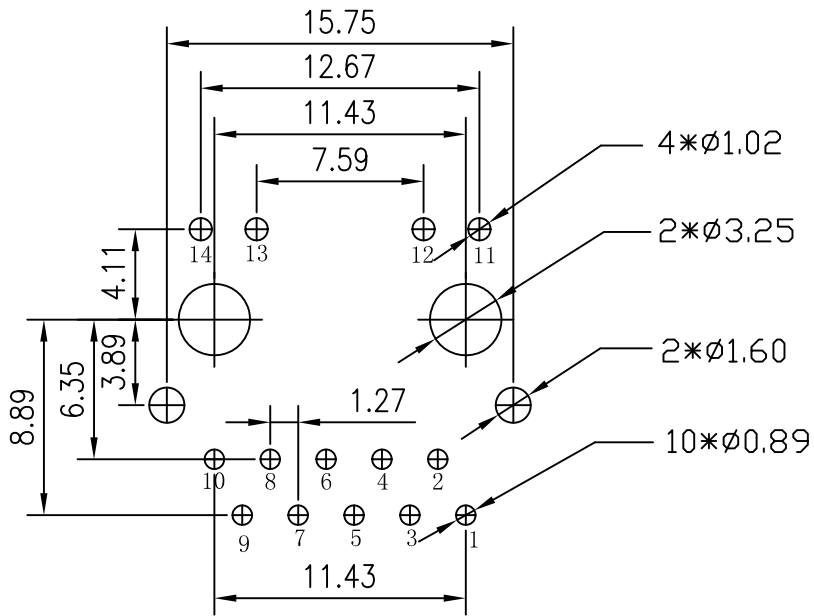
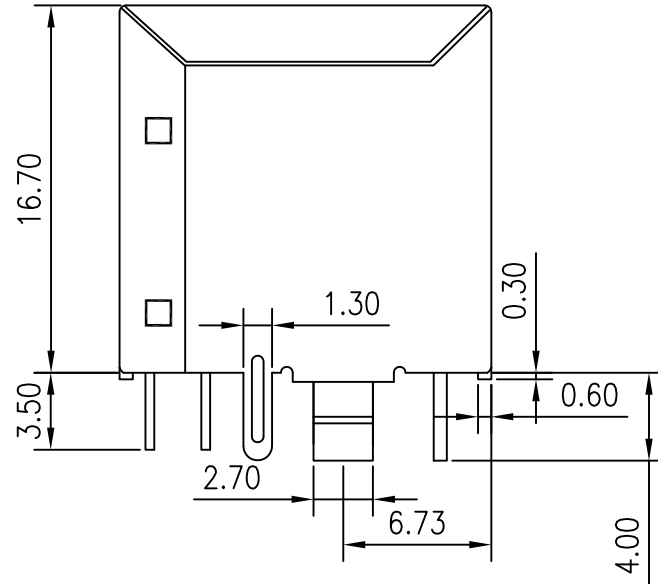
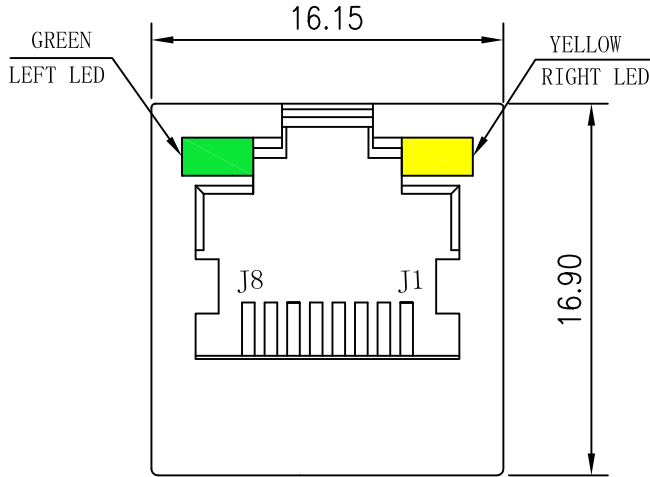
Emitting Color	$\lambda_p$ (nm)	V <sub>F</sub> @I <sub>F</sub> =20mA	I <sub>R</sub> @V <sub>R</sub> =5V
GREEN	565	1.8~2.6V	10 $\mu$ A max
YELLOW	585	1.8~2.6V	10 $\mu$ A max



X:X	$\pm 0.25$	APPD:	LINK-PP INT'L TECHNOLOGY CO., LIMITED	
X:XX	$\pm 0.20$	CHKD:	TITLE: Vertical RJ45 Connector With 1000 Magnetic	
X:XXX	$\pm 0.05$	DR: TOM	PART NO.: LPJD4608BHNL	
ANGLES	$\pm 1^\circ$	UNIT: mm	DWG NO.: LP15051526	
	SCALE: 3/1	SHEET: 1/2	REV: A	

# Mechanical:

REV.	ECN NO.	DESCRIPTION	DATE	APPD
A	REL		2015-05-15	



SUGGESTED PCB LAYOUT (TOP VIEW)

## NOTES:

1. Meets IEEE 802.3 specification
2. Connector Materials:  
Housing: Thermoplastic UL94V-0  
Contact/Shield: Copper alloy  
Shield plating: Nickel  
Contact plating: Gold 6 micro-inches min. In contact area
3. Wave solder tip temperature: 265°C Max, 5 Sec.
4. UL Certification: File Number E484635.



X:X	$\pm 0.25$	APPD:	LINK-PP INT'L TECHNOLOGY CO., LIMITED
X:XX	$\pm 0.20$	CHKD:	
X:XXX	$\pm 0.05$	DR: TOM	TITLE: Vertical RJ45 Connector With 1000 Magnetic
ANGLES	$\pm 1^\circ$	UNIT: mm	PART NO.: LPJD4608BHNL
	SCALE: 3/1	SHEET: 2/2	REV: A DWG NO.: LP15051526