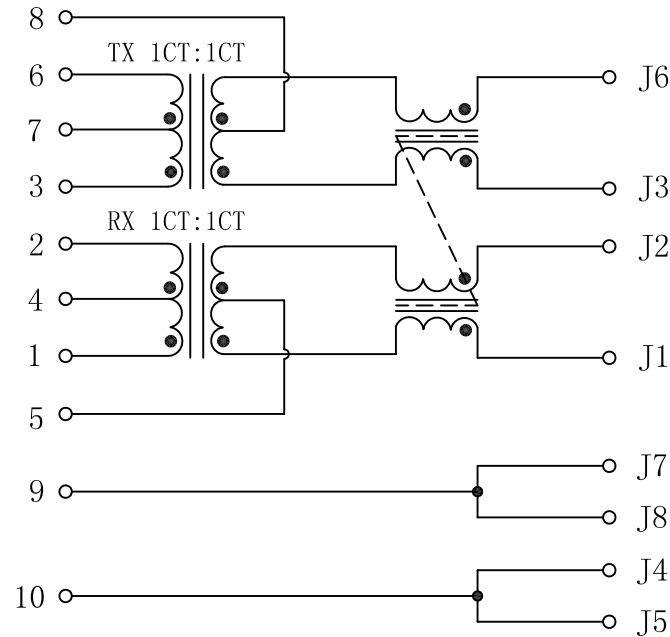


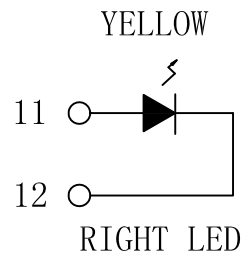
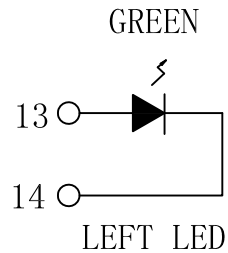
# Schematic:

REV.	ECN NO.	DESCRIPTION	DATE	APPD
A	REL		2010/10/15	

PC BOARD CONNECTIONS



RJ45 CONNECTOR



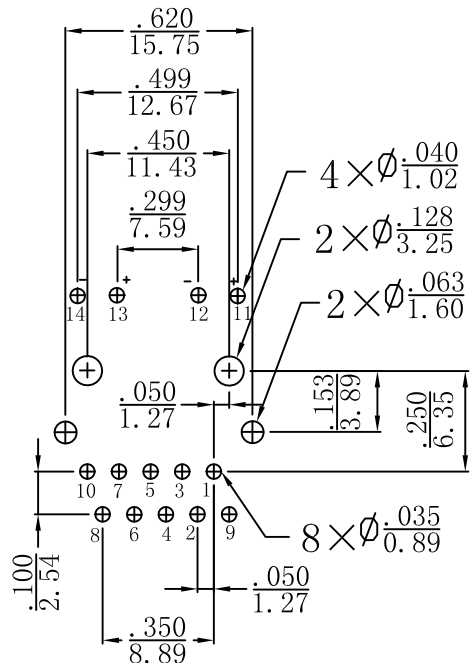
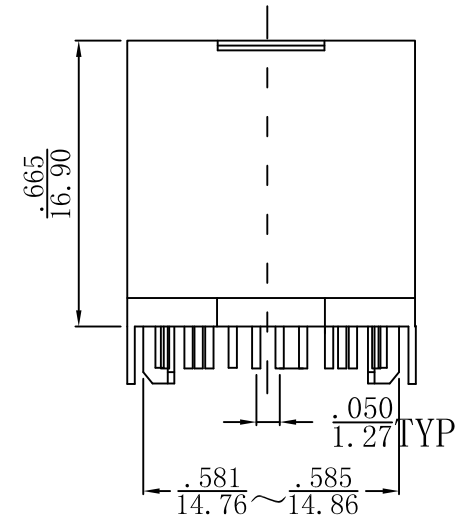
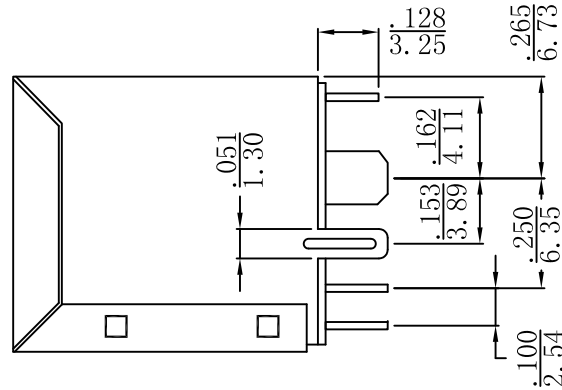
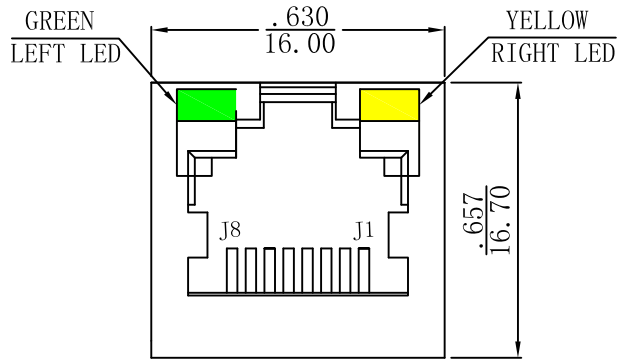
## Electronics Specification @25°C

1. TURNS RATIO ( $\pm 2\%$ ):  
TX=1CT:1CT      RX=1CT:1CT
2. Inductance OCL: 350uH MIN  
@100KHz/0.1V, 8mA DC Bias
3. DCR: 1.0 OHMS MAX
4. HIPOT: 1500Vrms MIN
5. INSERTION LOSS:  
-1.2dB MAX @ 1MHz TO 100MHz
6. RETURN LOSS:  
-16dB MIN @ 1MHz TO 30MHz  
-14dB MIN @ 40MHz  
-13dB MIN @ 50MHz  
-12dB MIN @ 60MHz TO 80MHz
7. CROSS TALK:  
-43dB MIN @ 30MHz  
-37dB MIN @ 60MHz  
-33dB MIN @ 100MHz
8. COMMON TO COMMON MODE REJECTION:  
-30dB MIN @ 1MHz TO 50MHz  
-20dB MIN @ 50MHz TO 150MHz
9. HIPOT: 1000VAC/0.5mA/60Sec.
10. OPERATING TEMPERATURE:  $-40^{\circ}\text{C} \sim +85^{\circ}\text{C}$ .

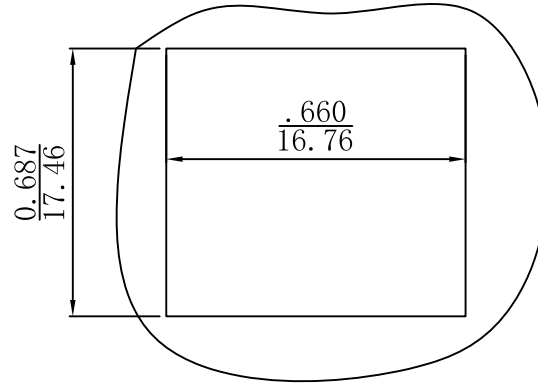
X:X	$\pm 0.30$	APPD:	LINK-PP INT'L TECHNOLOGY CO., LIMITED	
X:XX	$\pm 0.25$	CHKD:	TITLE: RJ45 Connector With 10/100 Base-TX Integrated VoIP Magnetic For PoE Application	
X:XXX	$\pm 0.05$	DR: TOM		
ANGLES	$\pm 1^{\circ}$	UNIT: Inches/mm	PART NO.: LPJD4514BENL	
	SCALE: 2/1	SHEET: 1/2	REV: A	DWG NO.: LP10101512

# Mechanical :

REV.	ECN NO.	DESCRIPTION	DATE	APPD
A	REL		2010/10/15	



SUGGESTED PCB LAYOUT (TOP VIEW)



RECOMMENDED PANEL CUTOUT DIMENSION



## NOTES:

1. Designed to support application, such as SOHO (ADSL modems), LAN-on-Motherboard (LOM), hub and Switches.
2. Meets IEEE 802.3 specification
3. Support Power over Ethernet (PoE).
4. Designed to handle 600mA DC for PoE.
5. Connector Materials:  
Housing: Thermoplastic UL94V-0  
Contact/Shield: Copper alloy  
Shield plating: Nickel  
Contact plating: Gold 6 micro-inches min. In contact area.
6. Wave solder tip temperature: 265°C Max  
Wave solder tip temperature time: 5 Sec Max

X:X	±0.30	APPD:	LINK-PP INT'L TECHNOLOGY CO., LIMITED
X:XX	±0.25	CHKD:	
X:XXX	±0.05	DR: TOM	TITLE: RJ45 Connector With 10/100 Base-TX Integrated VoIP Magnetic For PoE Application
ANGLES	±1°	UNIT: Inches/mm	PART NO.: LPJD4514BENL
	SCALE: 2/1	SHEET: 2/2	REV: A DWG NO.: LP10101512