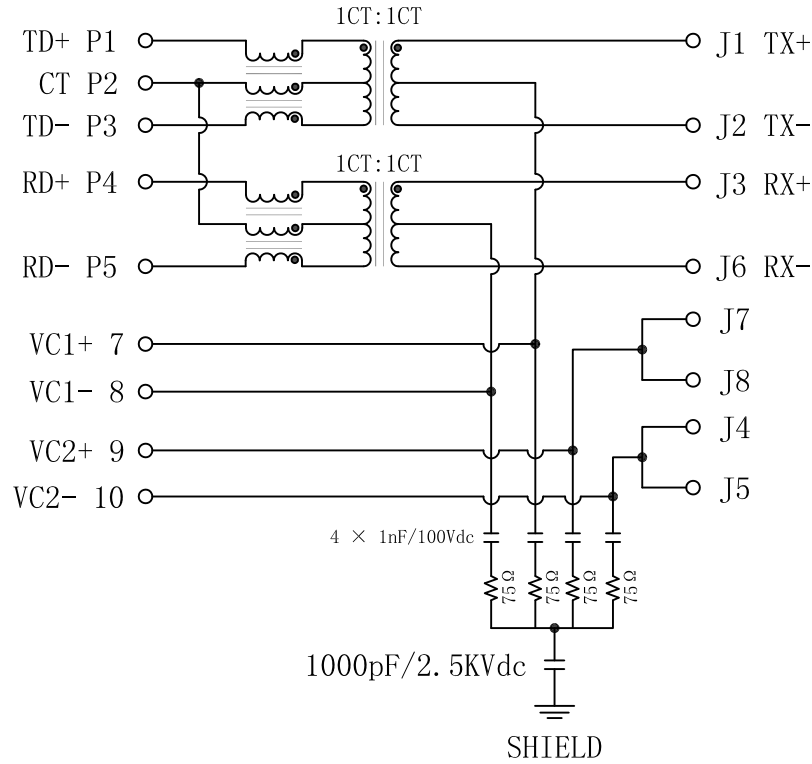


Schematic:

REV.	ECN NO.	DESCRIPTION	DATE	APPD
A	REL		2020-06-22	

PC BOARD CONNECTIONS

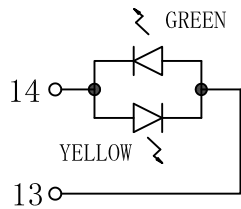


RJ45 CONNECTOR

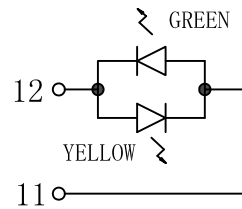
Electrical Specifications @25°C

- Turns Ratio ($\pm 2\%$):
TX=1CT : 1CT RX=1CT : 1CT
- OCL: 350uH Min
@100KHz 100mV 8mA DC Bias
- Insertion Loss:
1-100MHz:-1.0dB Max
- Return Loss(dB Min@100Ω):
1-30MHz:-16 30-60MHz:-14
60-80MHz:-12 80-100MHz:-10
- Crosstalk(dB Min):
1-60MHz:-33 60-100MHz:-30
- Common Mode Rejection Ratio(dB Min)
1-30MHz:-36 30-60MHz:-33
60-100MHz:-30
- Balanced DC line current:
600mA Max @57VDC Continuous
- Hipot: 1500Vrms
- Operating Temperature Range: -40°C ~ +85°C.

Emitting Color	λ_p (nm)	V _F @I _F =20mA	I _R @V _R =5V
GREEN	565	1.8~2.6V	10 μA max
YELLOW	585	1.8~2.6V	10 μA max



LEFT LED



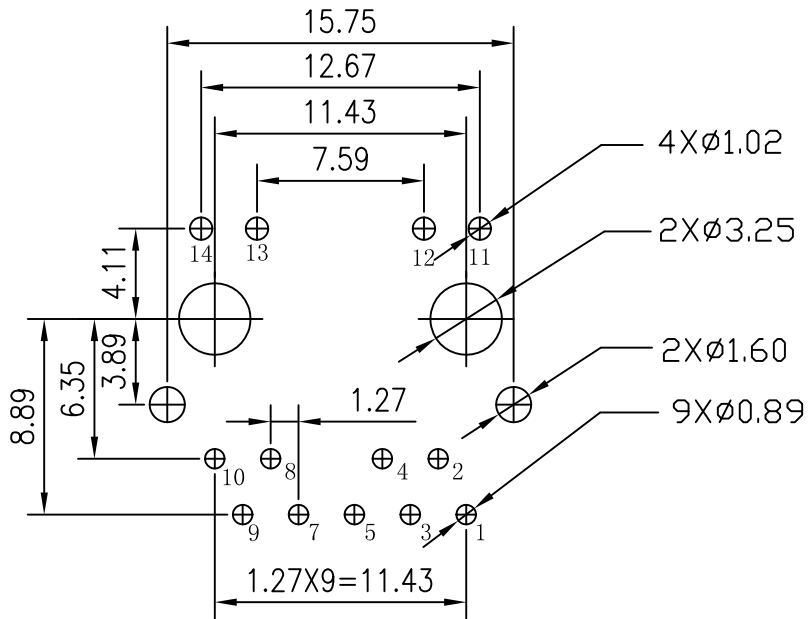
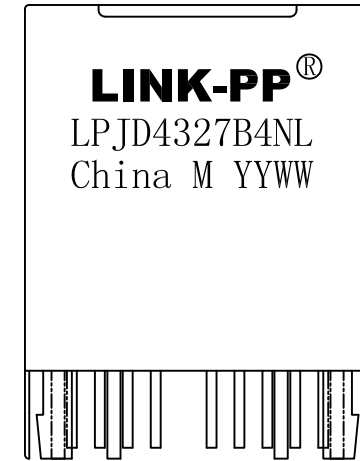
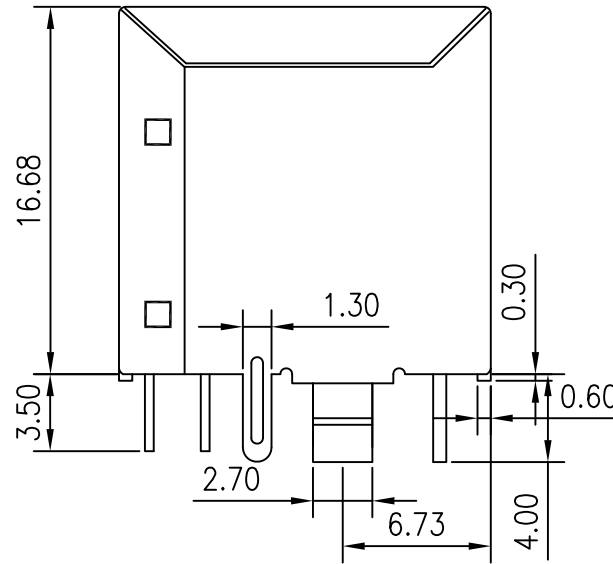
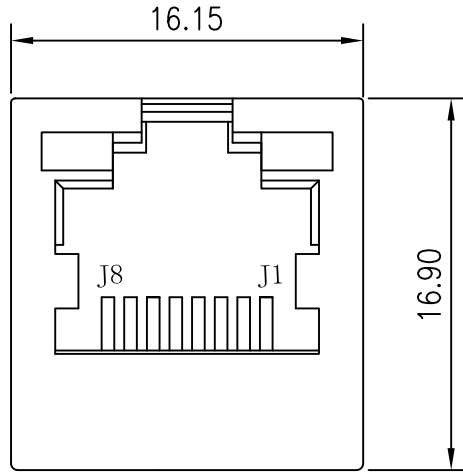
RIGHT LED



X:X	±0.30	APPD:	LINK-PP INT'L TECHNOLOGY CO., LIMITED
X:XX	±0.25	CHKD:	
X:XXX	±0.05	DR: TOM	TITLE: Vertical RJ45 Connector With 10/100 Magnetic For PoE Application
ANGLES	±1°	UNIT: mm	PART NO.: LPJD4327B4NL
	SCALE: 3/1	SHEET: 1/2	REV: A DWG NO.: LP20062201

Mechanical:

REV.	ECN NO.	DESCRIPTION	DATE	APPD
A	REL		2020-06-22	



SUGGESTED PCB LAYOUT (TOP VIEW)

NOTES:

1. Designed to support application, such as SOHO (ADSL modems), LAN-on-Motherboard (LOM), hub and Switches.
2. Meets IEEE 802.3at specification
3. Connector Materials:
Housing: Thermoplastic UL94V-0
Contact/Shield: Copper alloy
Shield plating: Nickel
Contact plating: Gold 6 micro-inches min. In contact area.
4. Wave solder tip temperature: 265°C Max, 5 Sec.
5. UL Certification: File Number E484635.



X:X	±0.30	APPD:	LINK-PP INT'L TECHNOLOGY CO., LIMITED
X:XX	±0.25	CHKD:	
X:XXX	±0.05	DR: TOM	TITLE: Vertical RJ45 Connector With 10/100 Magnetic For PoE Application
ANGLES	±1°	UNIT: mm	PART NO.: LPJD4327B4NL
	SCALE: 3/1	SHEET: 2/2	REV: A
			DWG NO.: LP20062201