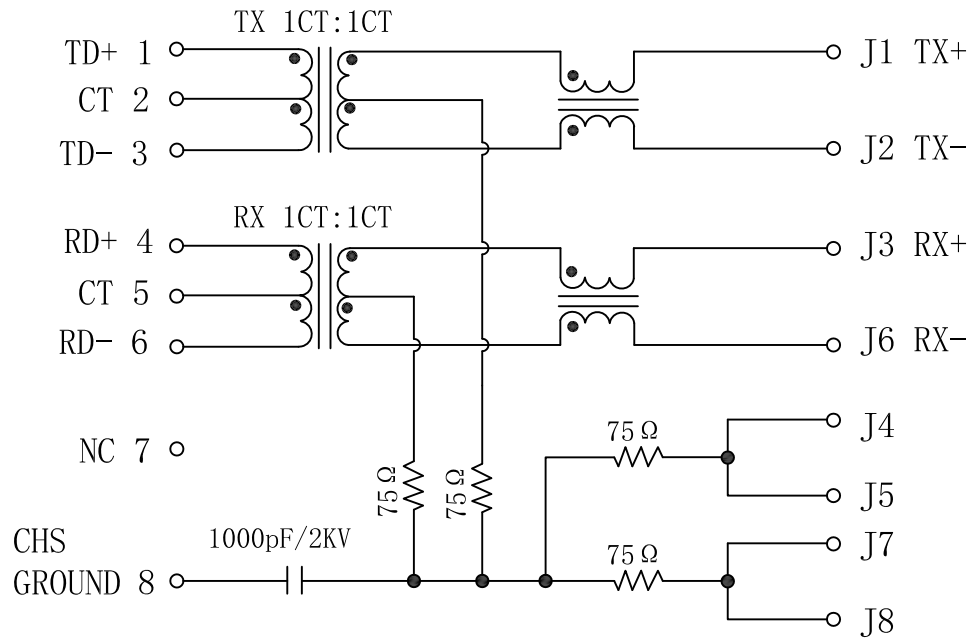


Schematic:

REV.	ECN NO.	DESCRIPTION	DATE	APPD
A	REL		2015-05-21	
B	181212	Change material of shield to SUS	2018-12-12	

PC BOARD CONNECTIONS



RJ45 CONNECTOR

Electrical Specification:

TEST NOTES (25±5°C)

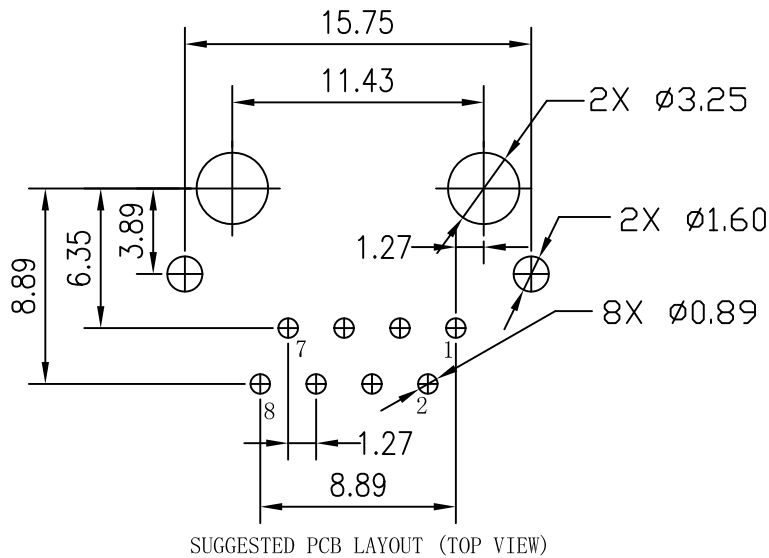
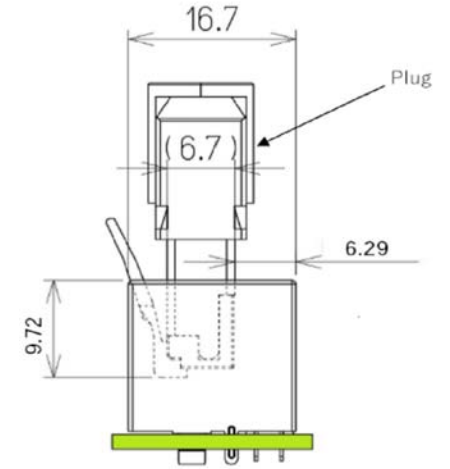
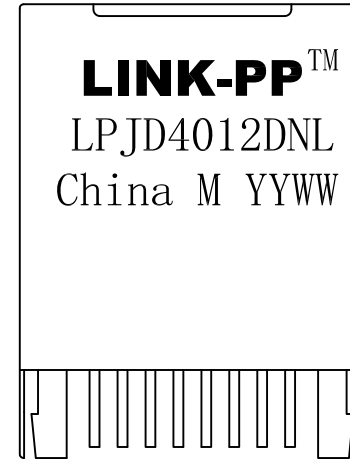
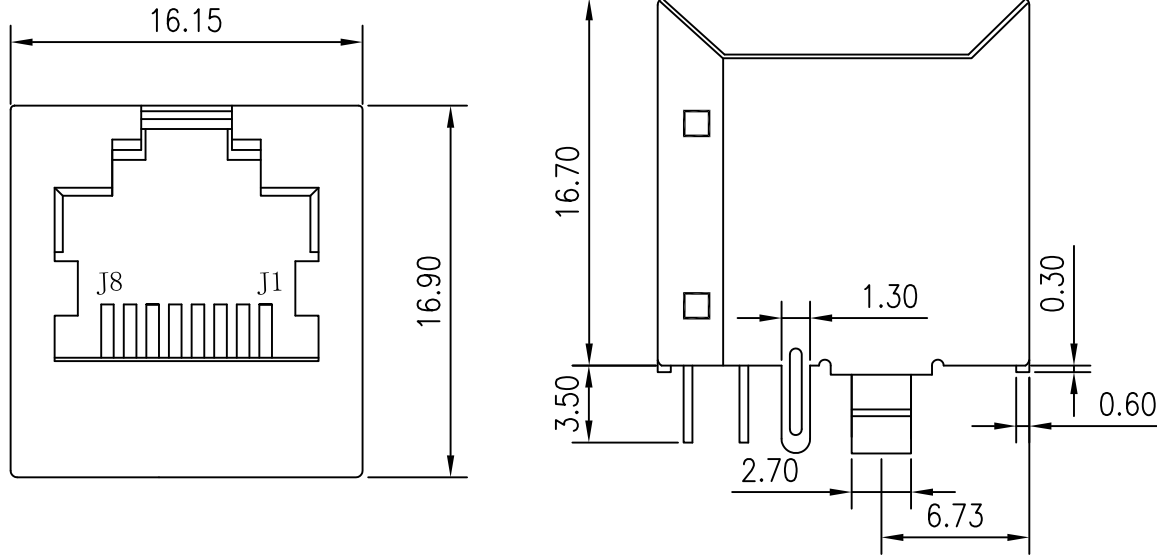
- TR: (@100KHz, 0.1V);
TX=1CT:1CT±2% RX=1CT:1CT±2%
- LX: (@100KHz, 100mV, 8mA, DC Bias)
PINS: (1-3), (4-6)=350uH MIN
- Transmitter filter & Receiver filter Type:
Balance low pass 100Ω impedance
- Hipot:
Input (1-3) TO Output (J1-J2): 1500VAC 60sec
Input (4-6) TO Output (J3-J6): 1500VAC 60sec
- Insertion Loss:
-1.0dB MAX @1.0MHz TO 100MHz
- Return Loss:
-18dB MIN @1.0MHz TO 30MHz
-16dB MIN @30MHz TO 60MHz
-12dB MIN @60MHz TO 80MHz
- Cross Talk:
-30dB MIN @1.0MHz TO 100MHz
- Common Mode Rejection:
-30dB MIN @1.0MHz TO 100MHz
- Operating temperature: -40°C to +85°C.



X:X	±0.30	APPD:	LINK-PP INT'L TECHNOLOGY CO., LIMITED	
X:XX	±0.25	CHKD:	TITLE: Vertical RJ45 Connector With 10/100 Magnetic	
X:XXX	±0.05	DR: TOM	PART NO.: LPJD4012DNL	
ANGLES	±1°	UNIT: mm		
	SCALE: 3/1	SHEET: 1/2	REV: B	DWG NO.: LP18121201

Mechanical:

REV.	ECN NO.	DESCRIPTION	DATE	APPD
A	REL		2015-05-21	
B	181212	Change material of shield to SUS	2018-12-12	



NOTES:

1. Designed to support application, such as SOHO (ADSL modems), LAN-on-Motherboard (LOM), hub and Switches.
2. Meets IEEE 802.3 specification
3. Connector Materials:
 Housing Material: Thermoplastic PBT+30%G. F UL94V-0
 Contact Material: Phosphor Bronze C5210R-EH Thickness=0.35mm
 Pins: Brass C2680R-H Thickness=0.35mm
 Shield: SUS 201-1/2H Thickness=0.2mm
 Contact plating: Gold 6 micro-inches min. In contact area.
4. Wave solder tip temperature: 265°C Max, 5 Sec.
5. UL Certification: File Number E484635.

X:X	±0.30	APPD:	LINK-PP INT'L TECHNOLOGY CO., LIMITED	
X:XX	±0.25	CHKD:	TITLE: Vertical RJ45 Connector With 10/100 Magnetic	
X:XXX	±0.05	DR: TOM	PART NO.: LPJD4012DNL	
ANGLES	±1°	UNIT: mm		
	SCALE: 3/1	SHEET: 2/2	REV: B	DWG NO.: LP18121201