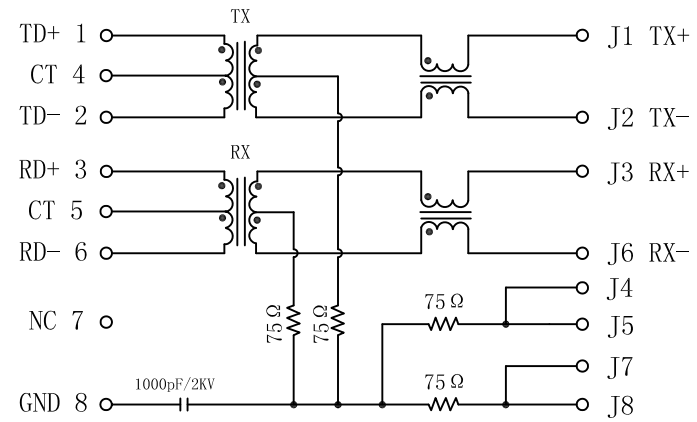


# Schematic:

REV.	ECN NO.	DESCRIPTION	DATE	APPD
A	REL		2010/06/29	

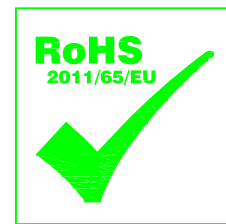
PC BOARD CONNECTIONS



RJ45 CONNECTOR

## Electrical Specifications @25°C

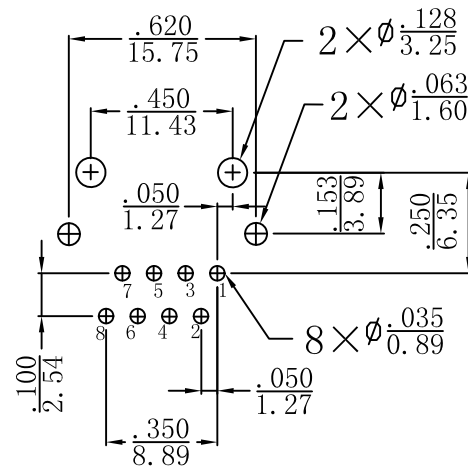
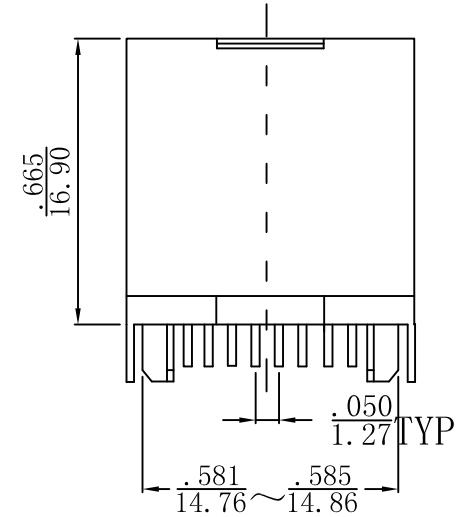
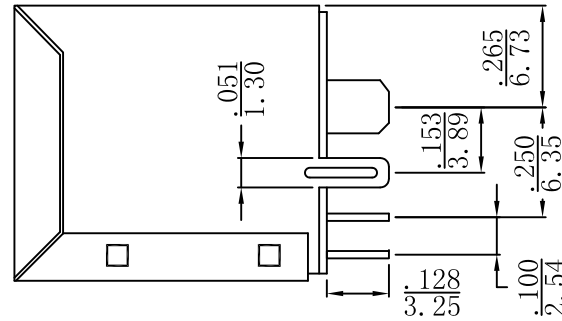
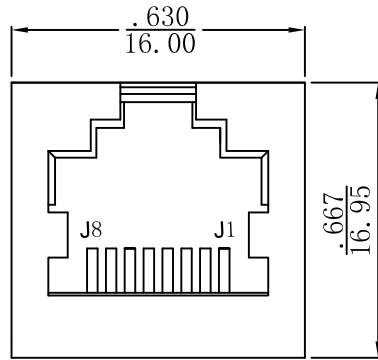
- Turns Ratio:  
TX=1CT:1CT      RX=1CT:1CT
- OCL: 350uH Min  
@100KHz 0.1V 8mA
- Insertion Loss:  
0.3-100MHz:-1.0dB Max
- Return Loss(dB Min):  
1-30MHz:-18      40MHz:-16  
50MHz:-12      60MHz:-10
- Crosstalk(dB Min):  
30MHz:-40      60MHz:-35  
100MHz:-30
- Common Mode Rejection(dB Min):  
30MHz:-30      60MHz:-20  
100MHz:-20
- Hipot: 1500Vrms
- Operating Temperature: -40°C ~ +85°C.



X:X	±0.30	APPD:	LINK-PP INT'L TECHNOLOGY CO., LIMITED	
X:XX	±0.25	CHKD:	TITLE: Vertical RJ45 Connector With 10/100 Magnetic	
X:XXX	±0.05	DR: TOM	PART NO.: LPJD4011DNL	
ANGLES	±1°	UNIT: Inches/mm		
	SCALE: 2/1	SHEET: 1/2	REV: A	DWG NO.: LP10062915

# Mechanical :

REV.	ECN NO.	DESCRIPTION	DATE	APPD
A	REL		2010/06/29	



SUGGESTED PCB LAYOUT (TOP VIEW)

## NOTES:

1. Designed to support application, such as SOHO (ADSL modems), LAN-on-Motherboard (LOM), hub and Switches.
2. Meets IEEE 802.3 specification
3. Connector Materials:  
Housing: Thermoplastic UL94V-0  
Contact/Shield: Copper alloy  
Shield plating: Nickel  
Contact plating: Gold 6 micro-inches min. In contact area.
4. Wave solder tip temperature: 265°C Max, 5 Sec Max.



X:X	±0.30	APPD:	LINK-PP INT'L TECHNOLOGY CO., LIMITED	
X:XX	±0.25	CHKD:	TITLE: Vertical RJ45 Connector With 10/100 Magnetic	
X:XXX	±0.05	DR: TOM	PART NO.: LPJD4011DNL	
ANGLES	±1°	UNIT: Inches/mm		
	SCALE: 2/1	SHEET: 2/2	REV: A	DWG NO.: LP10062915