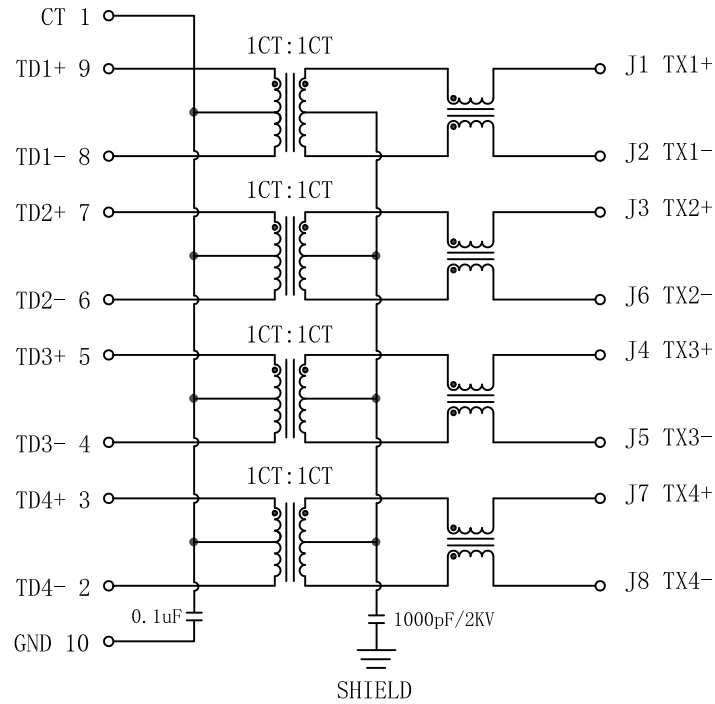


Schematic:

REV.	ECN NO.	DESCRIPTION	DATE	APPD
A	REL		2016-08-24	

PC BOARD CONNECTIONS



RJ45 CONNECTOR

Electronics Specifications @25°C

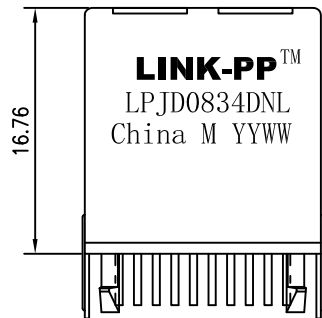
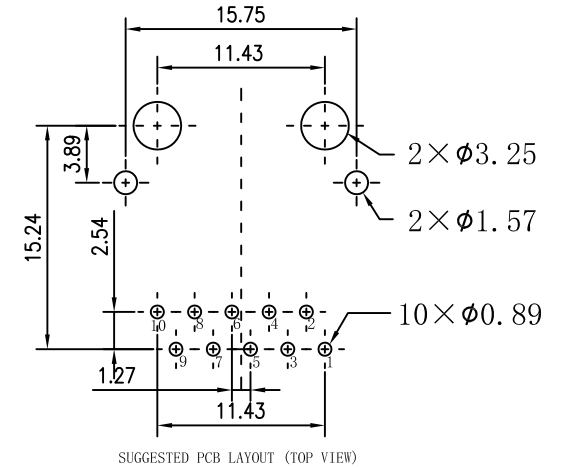
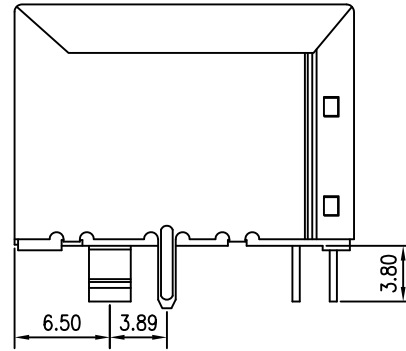
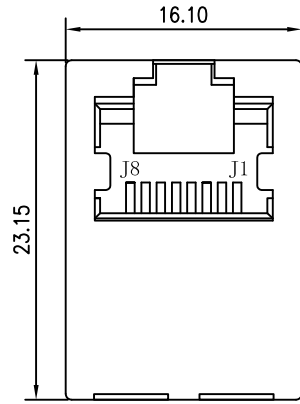
1. TURNS RATIO(±3%):
Pri : Sec = 1CT : 1CT
2. OCL(@100KHz, 0.1V, 8mA): 350uH MIN
3. HIPOT(Isolation Voltage): 1500Vrms
4. INSERTION LOSS:
-1.1dB MAX @ 1MHz TO 100MHz
5. RETURN LOSS(100 OHMS ±15%):
-18dB MIN @ 1MHz TO 40MHz
-14dB MIN @ 60MHz
-12dB MIN @ 80MHz
-10dB MIN @ 100MHz
6. CROSS TALK:
-40dB MIN @ 1MHz TO 30MHz
-30dB MIN @ 30MHz TO 60MHz
7. CM TO CM REJ:
-20dB MIN @ 1MHz TO 100MHz
8. OPERATING TEMPERATURE RANGE: 0°C~70°C.



X:X ±0.30	APPD:	LINK-PP INT'L TECHNOLOGY CO., LIMITED
X:XX ±0.25	CHKD:	
X:XXX ±0.05	DR: TOM	TITLE: Vertical RJ45 Connector with 1000 Base-TX Integrated Magnetics
ANGLES ±1°	UNIT: mm	PART NO.: LPJD0834DNL
	SCALE: 2/1	SHEET: 1/2
	REV: A	DWG NO.: LP16082430

Mechanical:

REV.	ECN NO.	DESCRIPTION	DATE	APPD
A	REL		2016-08-24	



NOTES:

1. Meets IEEE 802.3 specification
2. Connector Materials:
 - Housing: Thermoplastic UL94V-0
 - Contact/Shield: Copper alloy
 - Shield plating: Nickel
 - Contact plating: Gold 6 micro-inches min. In contact area.
3. Wave solder tip temperature: 265°C Max, 5 Sec Max
4. UL Certification: File Number E484635.

X:X ±0.30	APPD:	LINK-PP INT'L TECHNOLOGY CO., LIMITED
X:XX ±0.25	CHKD:	
X:XXX ±0.05	DR: TOM	TITLE: Vertical RJ45 Connector with 1000 Base-TX Integrated Magnetics
ANGLES ±1°	UNIT: mm	PART NO.: LPJD0834DNL
	SCALE: 2/1	SHEET: 2/2
	REV: A	DWG NO.: LP16082430