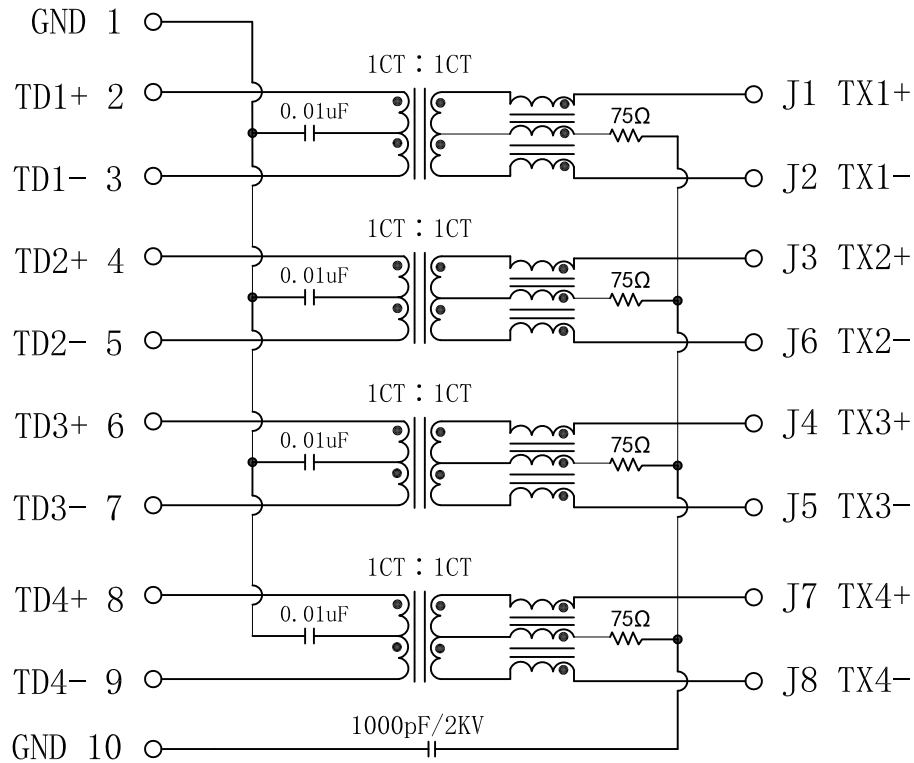


Schematic:

REV.	ECN NO.	DESCRIPTION	DATE	APPD
A	REL		2014-10-16	

PCB CONNECTIONS

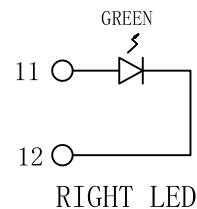
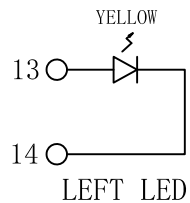


RJ45 CONNECTOR

ELECTRICAL SPECIFICATIONS@25°C

- Turn Ratio($\pm 2\%$):
Pri : Sec = 1CT : 1CT
- Inductance OCL: 350uH Min
@100KHz, 0.1V, 8mA DC Bias
- Insertion Loss:
1~100MHz:-1.0dB Max
- Return Loss(dB Min):
1~40MHz:-18
60MHz:-14
80MHz:-12
100MHz:-10
- Cross talk:
1~100MHz:-30dB Min
- Common Mode Rejection:
1~100MHz:-30dB Min
- Hipot Test: 1500Vrms Min
- Operating Temperature Range: 0°C~70°C.

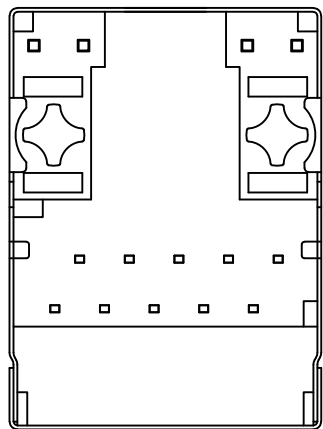
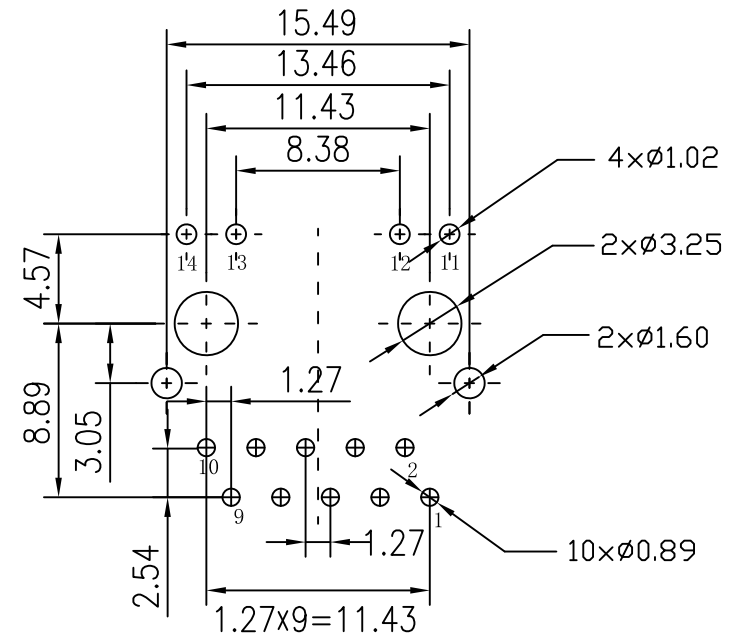
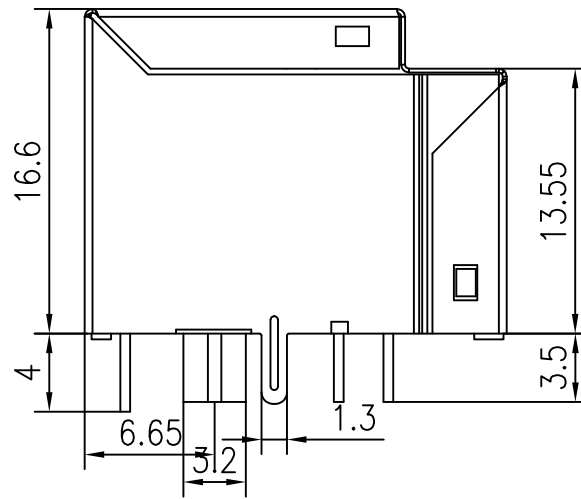
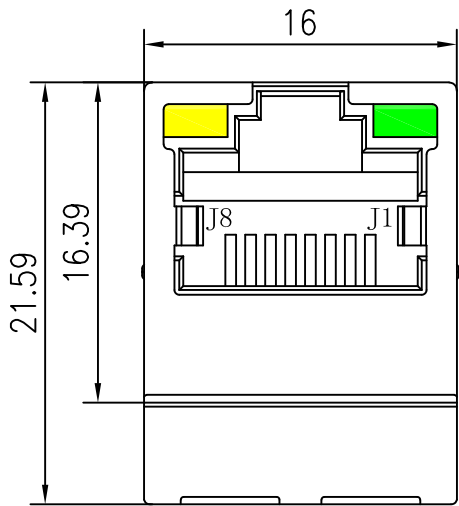
Emitting Color	λ_p (nm)	VF@IF=20mA	IR @VR=5V
GREEN	565	1.8~2.6V	10 μ A max
YELLOW	585	1.8~2.6V	10 μ A max



X:X	± 0.30	APPD:	LINK-PP INT'L TECHNOLOGY CO., LIMITED	
X:XX	± 0.25	CHKD:	TITLE: Vertical RJ45 Connector With 1000 Magnetic	
X:XXX	± 0.05	DR: TOM	PART NO.: LPJD0718BDNL	
ANGLES	$\pm 1^\circ$	UNIT: mm	DWG NO.: LP14101612	
	SCALE: 2/1	SHEET: 1/2	REV: A	

Mechanical :

REV.	ECN NO.	DESCRIPTION	DATE	APPD
A	REL		2014-10-16	



NOTES :

SUGGESTED PCB LAYOUT (TOP VIEW)

1. Designed to support application, such as SOHO (ADSL modems), LAN-on Motherboard (LOM), hub and Switches.
2. Meets IEEE 802.3 specification
3. Connector Materials:

Housing Material: Thermoplastic PBT+30%G. F UL94V-0
 Contact Material: Phosphor Bronze C5210R-EH Thickness=0.35mm
 Pins: Brass C2680R-H Thickness=0.35mm
 Shield: Copper alloy Brass H65Y Thickness=0.2mm
 Contact plating: Gold 6 micro-inches Min. In contact area.

4. Wave solder tip temperature: 250°C, 5 Sec.
5. UL Certification: File Number E484635.

X:X	±0.30	APPD:	LINK-PP INT'L TECHNOLOGY CO., LIMITED	
X:XX	±0.25	CHKD:	TITLE: Vertical RJ45 Connector With 1000 Magnetic	
X:XXX	±0.05	DR: TOM	PART NO.: LPJD0718BDNL	
ANGLES	±1°	UNIT: mm	DWG NO.: LP14101612	
	SCALE: 2/1	SHEET: 2/2	REV: A	