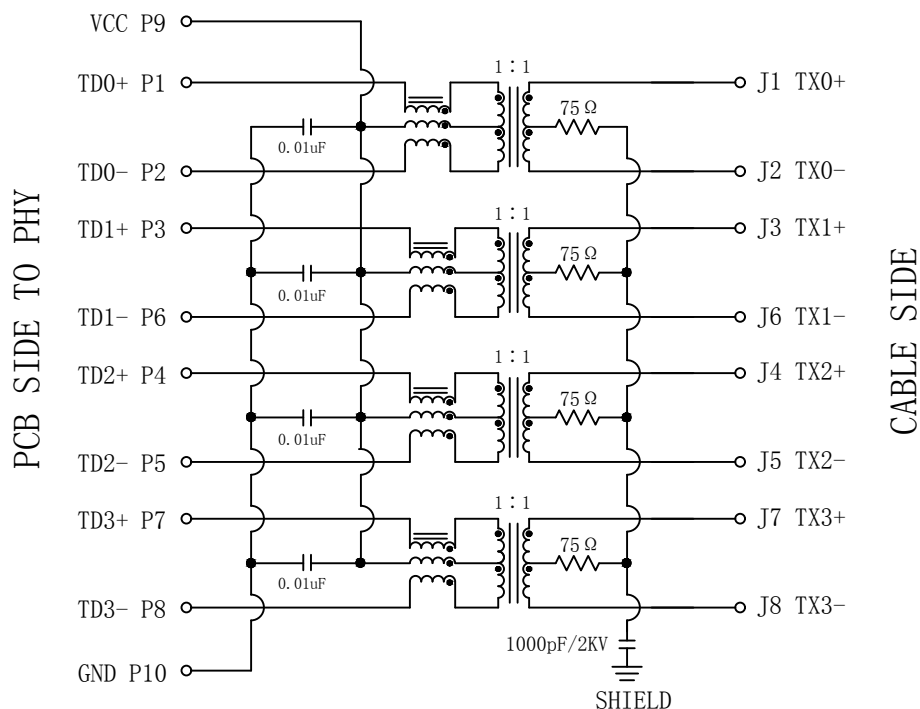


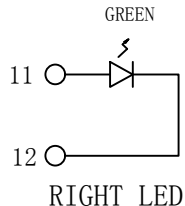
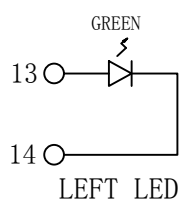
Schematic:

REV.	ECN NO.	DESCRIPTION	DATE	APPD
A	REL		2017/06/20	



ELECTRICAL SPECIFICATIONS@25°C

- Turn Ratio ($\pm 2\%$):
Pri : Sec = 1CT : 1CT
- Inductance OCL: 350uH Min
@100KHz, 0.1V, 8mA DC Bias
- Insertion Loss:
0.5-100MHz: -1.1dB Max
- Return Loss (dB Min):
0.5-40MHz: -18
60MHz: -14
80MHz: -12
100MHz: -10
- Cross talk (dB Min):
0.5-40MHz: -35
40.1-100MHz: -30
- Common Mode Rejection Ratio (CMRR):
0.5-100MHz: -30dB Min
- Hipot Test: 1500Vrms Min
- Operating Temperature Range: 0°C TO 70°C.



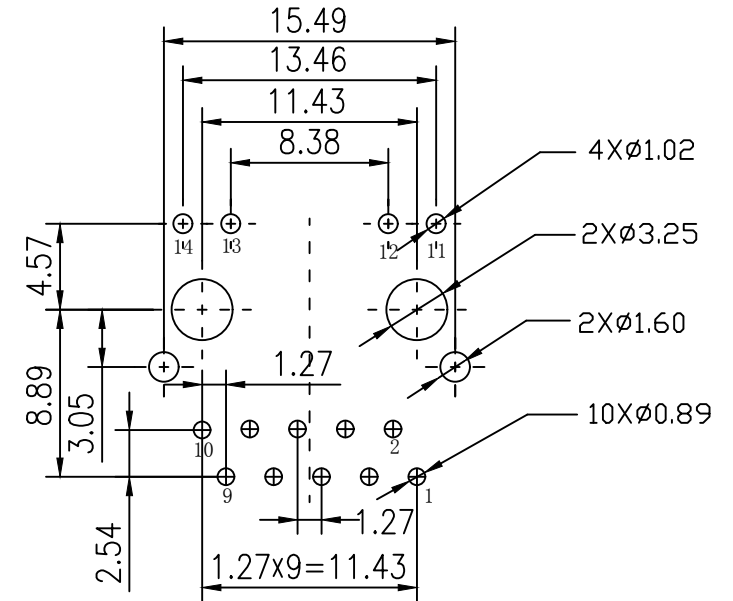
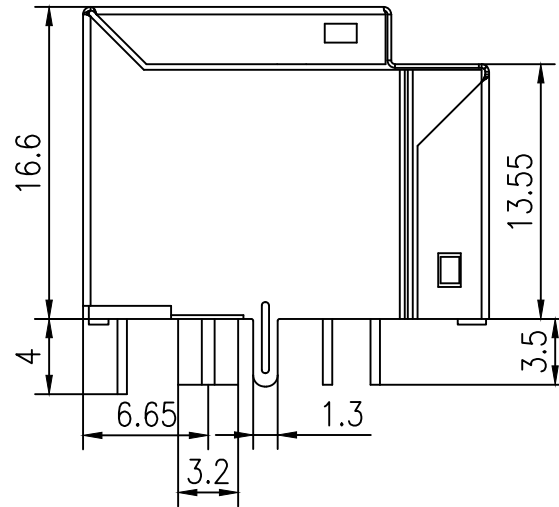
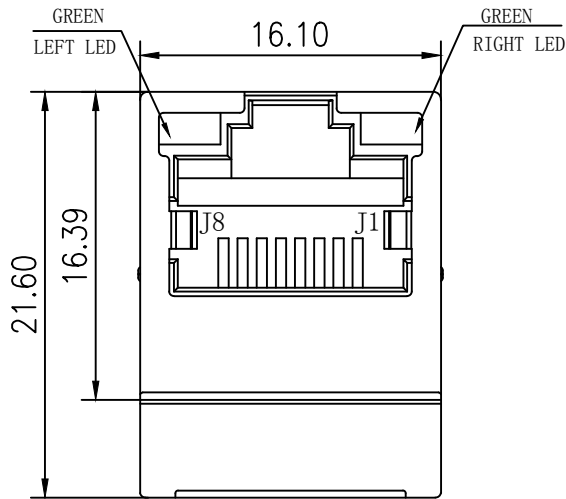
Emitting Color	λ_p (nm)	V _F @I _F =20mA	I _R @V _R =5V
GREEN	565	1.8~2.6V	10 μ A max



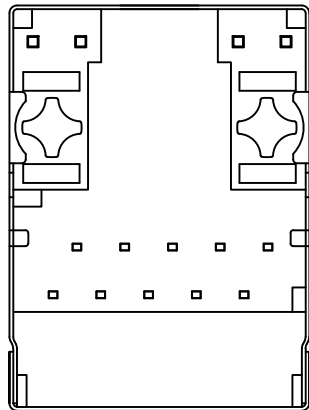
X:X	± 0.30	APPD:	TOM	LINK-PP INT'L TECHNOLOGY CO., LIMITED
X:XX	± 0.25	CHKD:	JAMES	
X:XXX	± 0.05	DR:	LEO	TITLE: Vertical RJ45 Connector With 1000 Magnetic
ANGLES	$\pm 1^\circ$	UNIT:	mm	PART NO.: LPJD0717BFNL
	SCALE:	2/1	SHEET:	1/2
	REV:	A	DWG NO.:	LP17062001

Mechanical :

REV.	ECN NO.	DESCRIPTION	DATE	APPD
A	REL		2017/06/20	



SUGGESTED PCB LAYOUT (TOP VIEW)



NOTES:

1. Designed to support application, such as SOHO (ADSL modems), LAN-on Motherboard (LOM), hub and Switches.
2. Meets IEEE 802.3 specification
3. Connector Materials:
 Housing Material: Thermoplastic PBT+30%G.F UL94V-0
 Contact Material: Phosphor Bronze C5210R-EH Thickness=0.35mm
 Pins: Brass C2680R-H Thickness=0.35mm
 Shield: Copper alloy Brass H65Y Thickness=0.2mm
 Contact plating: Gold 6 micro-inches Min. In contact area.
4. Wave solder tip temperature: 260°C, 5 Sec.
5. UL Certification: File Number E484635.

X:X	±0.30	APPD:	TOM	LINK-PP INT'L TECHNOLOGY CO., LIMITED
X:XX	±0.25	CHKD:	JAMES	
X:XXX	±0.05	DR:	LEO	TITLE: Vertical RJ45 Connector With 1000 Magnetic
ANGLES	±1°	UNIT:	mm	PART NO.: LPJD0717BFNL
	SCALE:	2/1	SHEET:	2/2
	REV:	A	DWG NO.:	LP17062001

