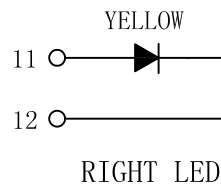
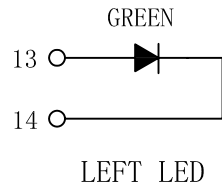
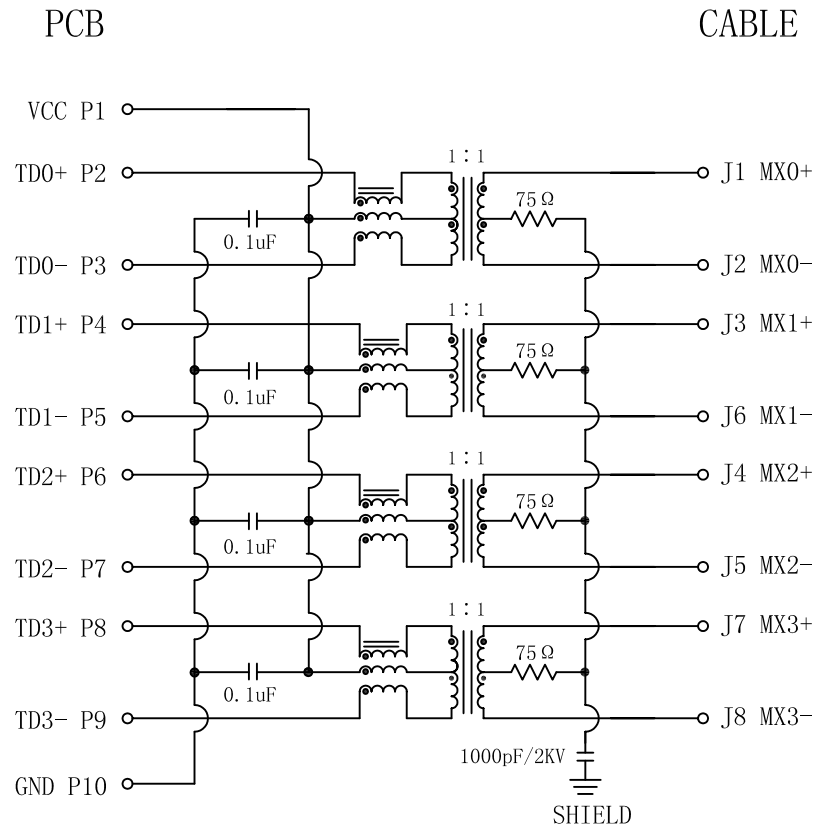


Schematic:

REV.	ECN NO.	DESCRIPTION	DATE	APPD
A	REL		2010/12/07	



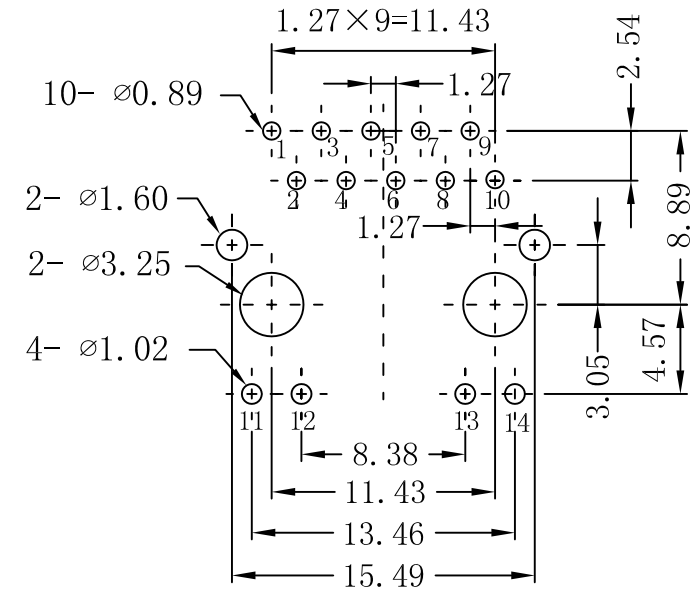
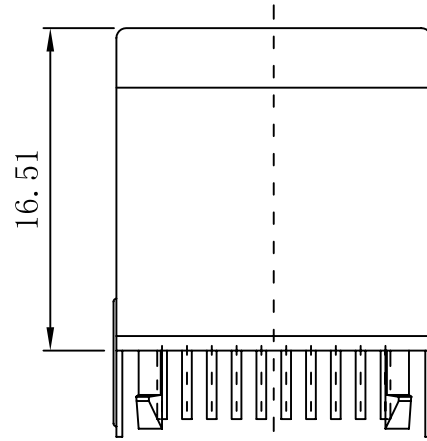
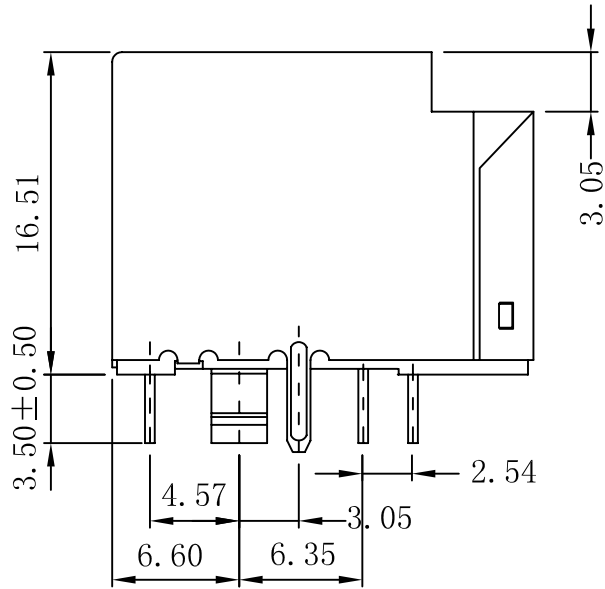
ELECTRICAL SPECIFICATIONS @25°C

- Turn Ratio ($\pm 2\%$):
TX=1:1 RX=1:1
- Inductance OCL: 350uH Min
@100KHz, 0.1V, 8mA DC Bias
- Insertion Loss:
0.5-100MHz: -1.1dB Max
- Return Loss (dB Min):
0.5-40MHz: -18
40.1-100MHz: $-[12-20\text{LOG}(f/80)]$
- Cross talk (dB Min):
0.5-40MHz: -35
40.1-100MHz: $-[33-20\text{LOG}(f/50)]$
- Common Mode Rejection RATIO (CMRR):
0.5-100MHz: -30dB Min
- Hipot Test: 1500Vrms Min
- Operating Temperature Range: 0°C TO 70°C

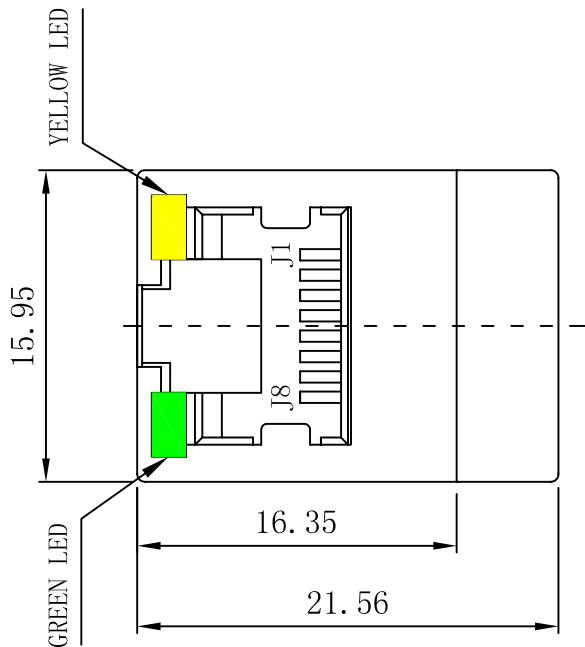
X:X	± 0.20	APPD:	LINK-PP INT'L TECHNOLOGY CO., LIMITED
X:XX	± 0.10	CHKD:	
X:XXX	± 0.05	DR: TOM	
ANGLES	$\pm 1^\circ$	UNIT: mm	PART NO.: LPJD0711BENL
	SCALE: 2/1	SHEET: 2/2	REV: A
			LP10120703

Mechanical :

REV.	ECN NO.	DESCRIPTION	DATE	APPD
A	REL		2010/12/07	



SUGGESTED PCB LAYOUT (TOP VIEW)



NOTES:

1. Designed to support application, such as SOHO (ADSL modems), LAN-on-Motherboard (LOM), hub and Switches.
2. Meets IEEE 802.3 specification
3. Connector Materials:
 Housing: Thermoplastic UL94V-0
 Contact/Shield: Copper alloy
 Shield plating: Nickel
 Contact plating: Gold 6 micro-inches min. In contact area.
4. Wave solder tip temperature: 260°C
 Wave solder tip temperature time: 5 Sec Max



X:X	±0.20	APPD:	LINK-PP INT'L TECHNOLOGY CO., LIMITED
X:XX	±0.10	CHKD:	
X:XXX	±0.05	DR: TOM	Title: Vertical RJ45 Connector With 1000 Magnetic
ANGLES	±1°	UNIT: mm	PART NO.: LPJD0711BENL
	SCALE: 2/1	SHEET: 1/2	REV: A DWG NO.: LP10120703