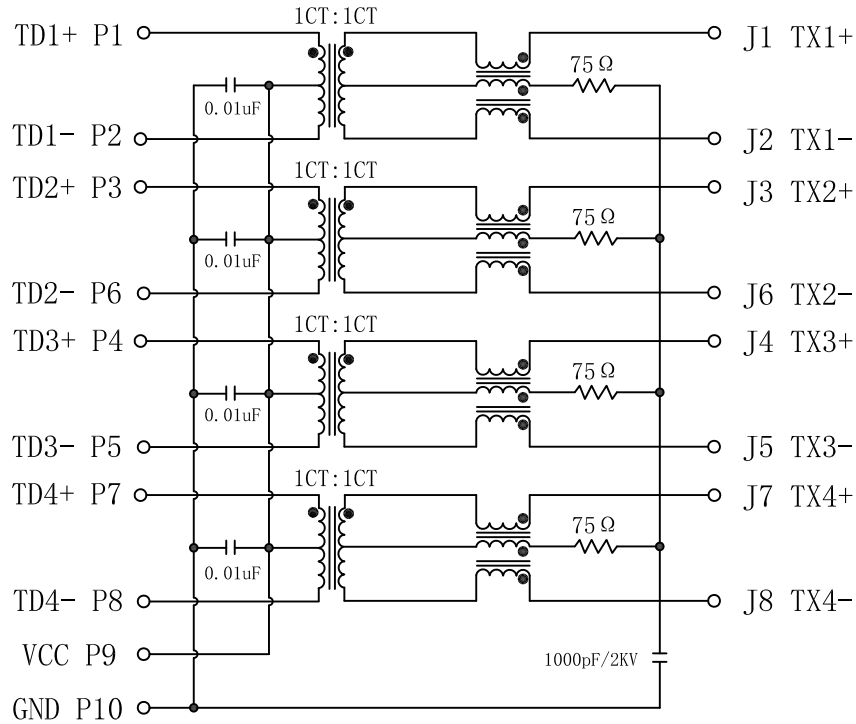


Schematic:

REV.	ECN NO.	DESCRIPTION	DATE	APPD
A	REL		2016/12/01	

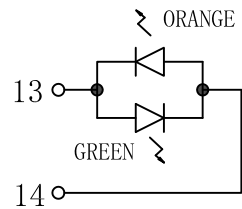
PC BOARD CONNECTIONS



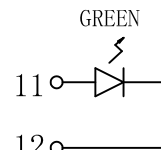
RJ45 CONNECTOR

Electrical Specifications @25°C

- Turns Ratio ($\pm 3\%$):
Pri : Sec = 1CT : 1CT
- OCL: 350uH Min
@100KHz/0.1V With 8mA DC Bias
- Insertion Loss:
1~100MHz: -1.1dB MAX
- Return Loss (dB MIN):
1~40MHz: -18 60MHz: -14
80MHz: -12 100MHz: -10
- Crosstalk (dB TYP):
1~100MHz: -35
- CMR (dB TYP):
0.1~30MHz: -38 30~60MHz: -35
60~100MHz: -30
- Hipot: 1500Vrms
- Operating Temperature: 0°C ~ +70°C.



LEFT LED



RIGHT LED

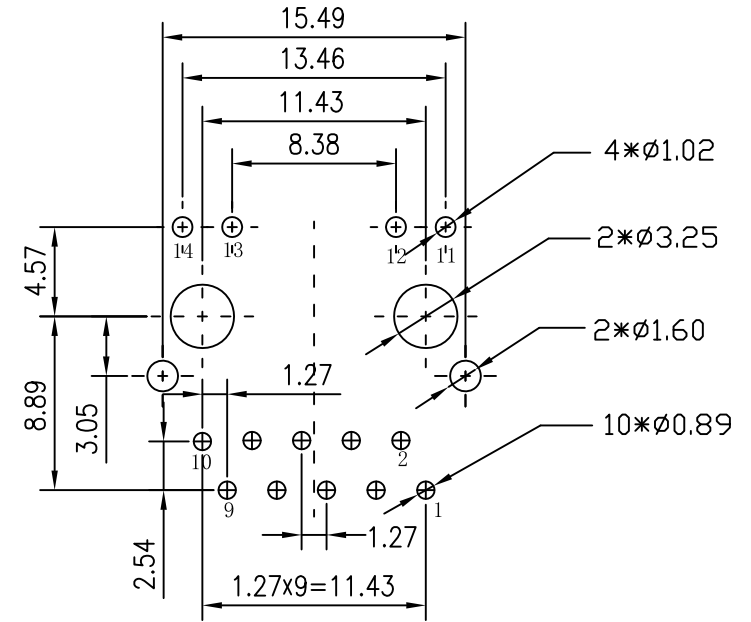
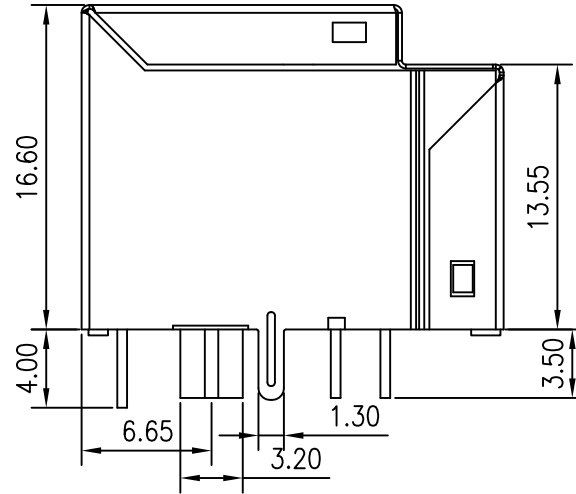
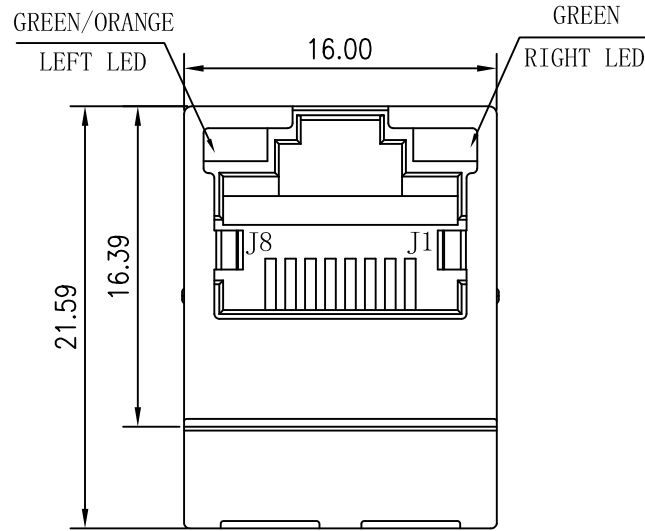


Emitting Color	λ p(nm)	VF@IF=20mA	IR @VR=5V
GREEN	565	1.8~2.6V	10 μ A max
ORANGE	610	1.8~2.6V	10 μ A max

X:X	± 0.30	APPD:	LINK-PP INT'L TECHNOLOGY CO., LIMITED
X:XX	± 0.25	CHKD:	
X:XXX	± 0.05	DR: TOM	TITLE: Vertical RJ45 Connector With 1000 Magnetic
ANGLES	$\pm 1^\circ$	UNIT: mm	PART NO.: LPJD0705B24NL
	SCALE: 2/1	SHEET: 1/2	REV: A DWG NO.: LP16120121

Mechanical :

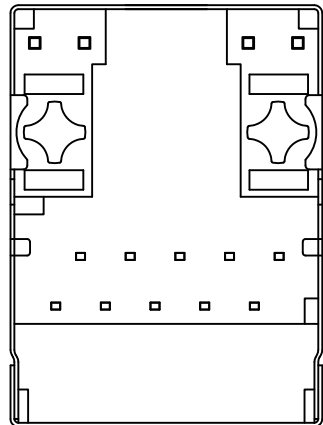
REV.	ECN NO.	DESCRIPTION	DATE	APPD
A	REL		2016/12/01	



SUGGESTED PCB LAYOUT (TOP VIEW)

NOTES:

1. Designed to support application, such as SOHO (ADSL modems), LAN-on-Motherboard (LOM), hub and Switches.
2. Meets IEEE 802.3 specification
3. Connector Materials:
 Housing Material: Thermoplastic PBT+30%G.F UL94V-0
 Contact Material: Phosphor Bronze C5210R-EH Thickness=0.35mm
 Pins: Brass C2680R-H Thickness=0.35mm
 Shield: Copper alloy Brass H65Y Thickness=0.2mm
 Contact plating: Gold 6 micro-inches min. In contact area.
4. Wave solder tip temperature: 265°C Max, 5 Sec Max
5. UL Certification: File Number E484635.



X:X	±0.30	APPD:	LINK-PP INT'L TECHNOLOGY CO., LIMITED
X:XX	±0.25	CHKD:	
X:XXX	±0.05	DR: TOM	TITLE: Vertical RJ45 Connector With 1000 Magnetic
ANGLES	±1°	UNIT: mm	PART NO.: LPJD0705B24NL
	SCALE: 2/1	SHEET: 2/2	REV: A DWG NO.: LP16120121