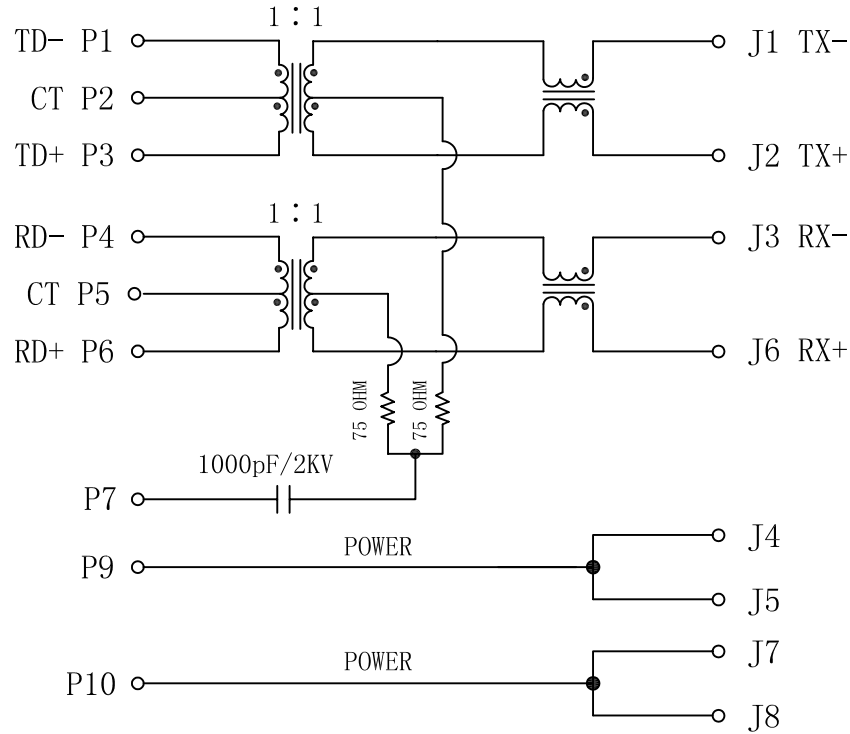


Schematic:

REV.	ECN NO.	DESCRIPTION	DATE	APPD
A	REL		2010/05/20	

PC BOARD CONNECTIONS

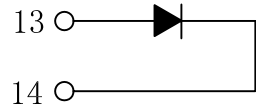


RJ45 CONNECTOR

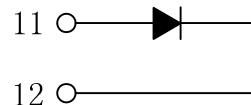
Electrical Specifications @25°C

- Turns Ratio($\pm 3\%$) :
TX=1CT:1CT RX=1CT:1CT
- Inductance:350uH MIN
@ 100KHz, 0.1V, 8mA DC Bias
- Insertion Loss:
0.1-100MHz: -1.1dB MAX
- Return Loss(@ 100 OHM) :
1-30MHz: -18 dB MIN
60-80MHz: -12 dB MIN
- Crosstalk:
1-100MHz: -40dB TYP
- Common to Common Mode Attenuation:
30-100MHz: -35dB TYP
- Hipot: 1500Vrms
- Operating Temperature: 0°C~70°C.

GREEN/LEFT LED



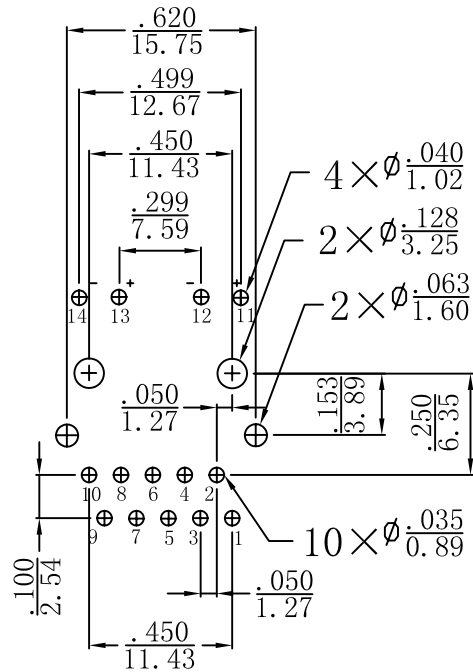
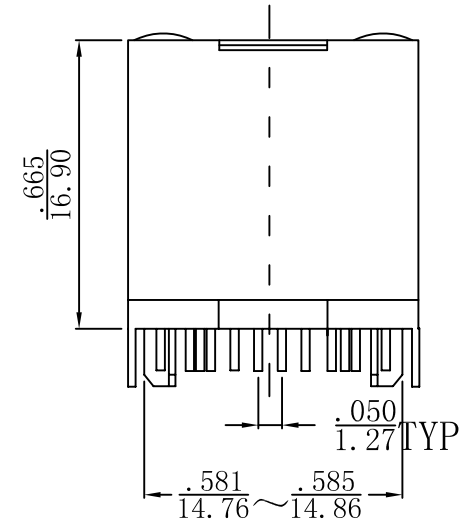
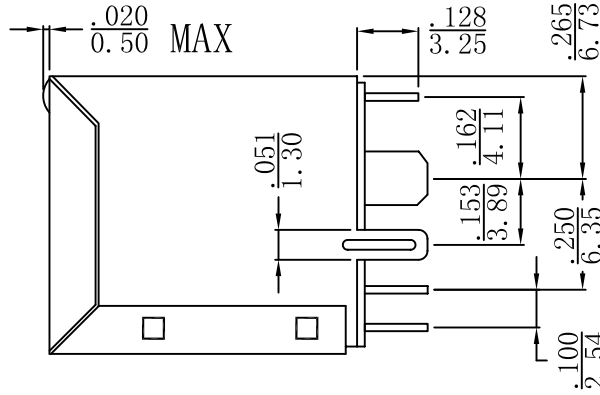
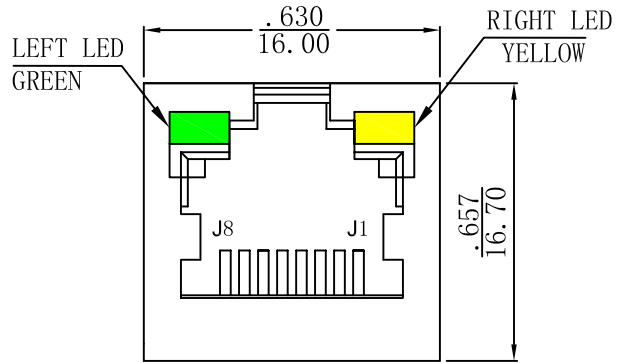
YELLOW/RIGHT LED



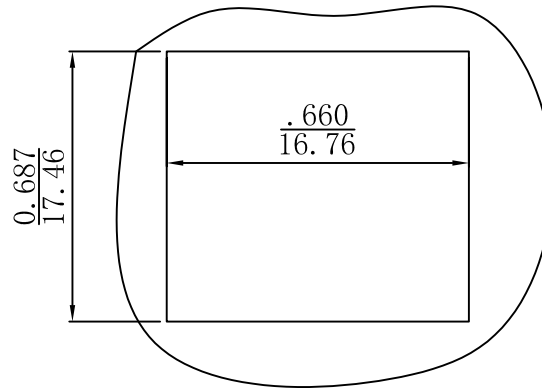
X:X	± 0.20	APPD:	LINK-PP INT'L TECHNOLOGY CO., LIMITED	
X:XX	± 0.10	CHKD:	TITLE: Vertical RJ45 Connector With 10/100 Magnetic & PoE	
X:XXX	± 0.05	DR: TOM	PART NO: LPJD0152BENL	
ANGLES	$\pm 1^\circ$	UNIT: Inches/mm		
	SCALE: 2/1	SHEET: 1/2	REV: A	DWG NO: LP10052007

Mechanical:

REV.	ECN NO.	DESCRIPTION	DATE	APPD
A	REL		2010/05/20	



SUGGESTED PCB LAYOUT (TOP VIEW)



RECOMMENDED PANEL CUTOUT DIMENSION

NOTES:

1. Designed to support application, such as SOHO (ADSL modems), LAN-on-Motherboard (LOM), hub and Switches.
2. Meets IEEE 802.3 specification
3. Connector Materials:
Housing: Thermoplastic UL94V-0
Contact/Shield: Copper alloy
Shield plating: Nickel
Contact plating: Gold 6 micro-inches min. In contact area.
4. Wave solder tip temperature: 265°C Max
Wave solder tip temperature time: 5 Sec Max



X:X	±0.20	APPD:	LINK-PP INT'L TECHNOLOGY CO., LIMITED
X:XX	±0.10	CHKD:	
X:XXX	±0.05	DR: TOM	TITLE: Vertical RJ45 Connector With 10/100 Magnetic & PoE
ANGLES	±1°	UNIT: Inches/mm	PART NO: LPJDO152BENL