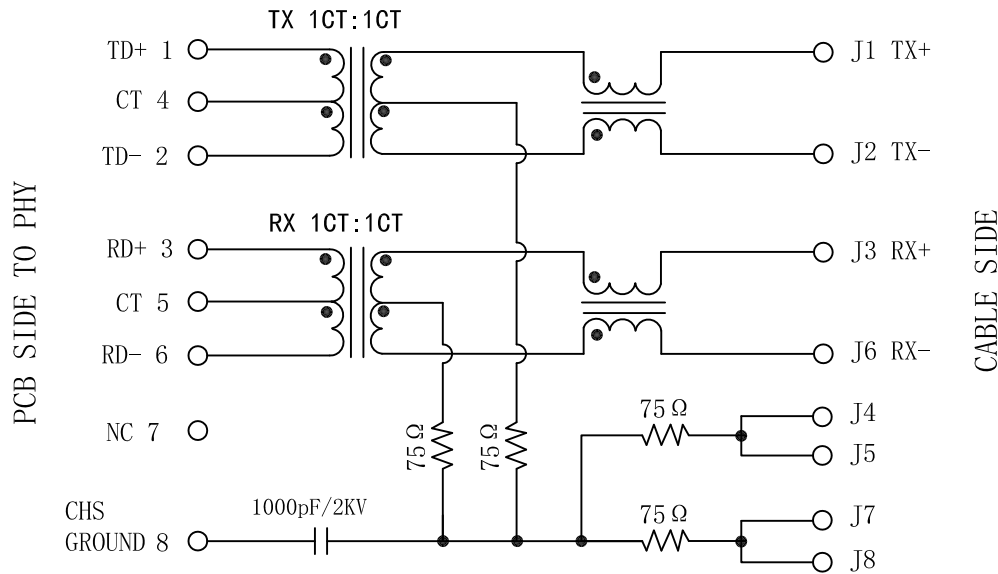


# Schematic:

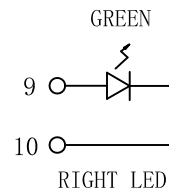
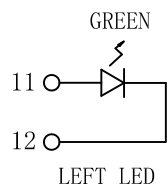
REV.	ECN NO.	DESCRIPTION	DATE	APPD
A	REL		2010/06/02	



## Electrical Specification:

TEST NOTES (25±5°C)

- TR: (@100KHz, 0.1V);  
TX=1CT:1CT ±2%      RX=1CT:1CT ±2%
- LX: (@100KHz, 100mV, 8mA, DC Bias)  
PINS: (P1-P2), (P3-P6)=350uH MIN
- Transmitter filter & Receiver filter Type:  
Balance low pass 100Ω impedance
- HIPOT:  
Input (P1-P2) TO Output (J1-J2): 1500VAC 60sec  
Input (P3-P6) TO Output (J3-J6): 1500VAC 60sec
- INSERTION LOSS:  
-1.0dB MAX @ 1.0MHz TO 100MHz
- RETURN LOSS:  
-18dB MIN @ 1.0MHz TO 30MHz  
-16dB MIN @ 30MHz TO 60MHz  
-12dB MIN @ 60MHz TO 80MHz
- CROSS TALK:  
-30dB MIN @ 1.0MHz TO 100MHz
- COMMON MODE REJECTION:  
-30dB MIN @ 1.0MHz TO 100MHz
- OPERATING TEMPERATURE: 0°C ~ 70°C.



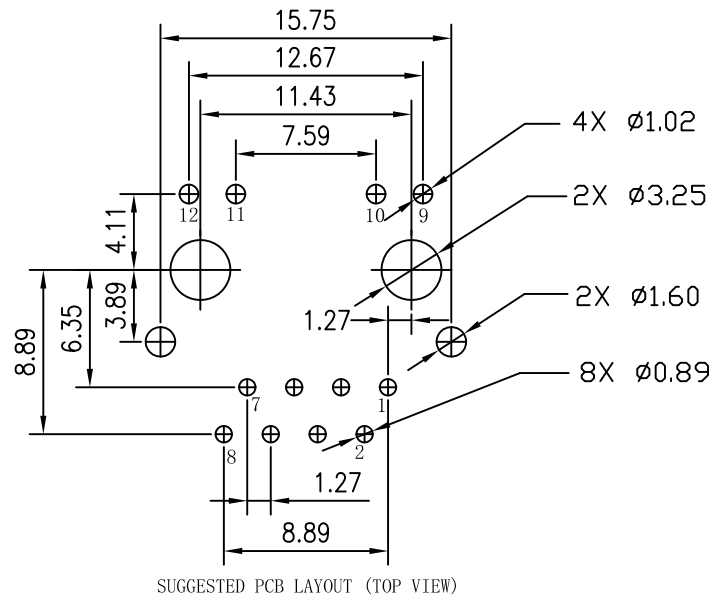
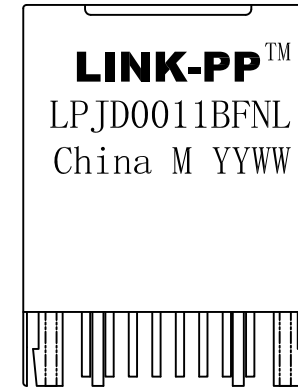
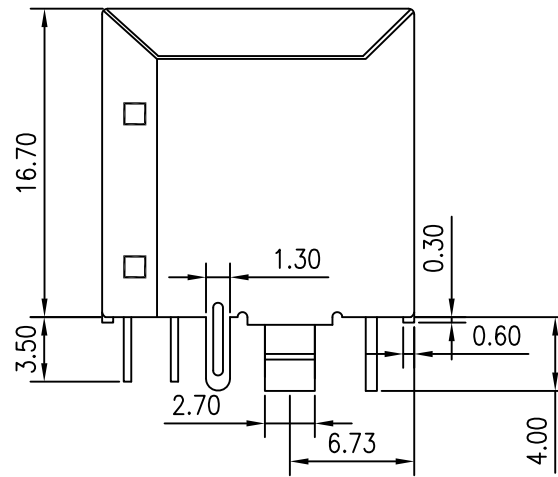
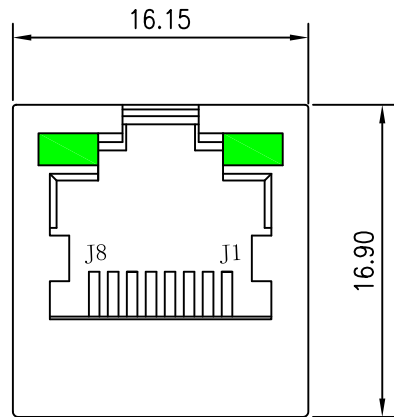
Emitting Color	λ p(nm)	VF@IF=20mA	IR @VR=5V
GREEN	565	1.8~2.6V	10 μ A max



X:X	±0.30	APPD:	LINK-PP INT'L TECHNOLOGY CO., LIMITED
X:XX	±0.25	CHKD:	
X:XXX	±0.05	DR: TOM	TITLE: Vertical RJ45 Connector With 10/100 Magnetic
ANGLES	±1°	UNIT: mm	PART NO.: LPJD0011BFNL
	SCALE: 2/1	SHEET: 1/2	REV: A      DWG NO.: LP10060215

# Mechanical:

REV.	ECN NO.	DESCRIPTION	DATE	APPD
A	REL		2010/06/02	



### NOTES:

1. Designed to support application, such as SOHO (ADSL modems), LAN-on-Motherboard (LOM), hub and Switches.
2. Meets IEEE 802.3 specification
3. Connector Materials:  
 Housing: Thermoplastic UL94V-0  
 Contact/Shield: Copper alloy  
 Shield plating: Nickel  
 Contact plating: Gold 6 micro-inches min. In contact area.
4. Wave solder tip temperature: 265°C Max, 5 Sec.
5. UL Certification: File Number E484635.

X:X	±0.30	APPD:	LINK-PP INT'L TECHNOLOGY CO., LIMITED
X:XX	±0.25	CHKD:	
X:XXX	±0.05	DR: TOM	TITLE: Vertical RJ45 Connector With 10/100 Magnetic
ANGLES	±1°	UNIT: mm	PART NO.: LPJD0011BFNL
	SCALE: 2/1	SHEET: 2/2	REV: A DWG NO.: LP10060215