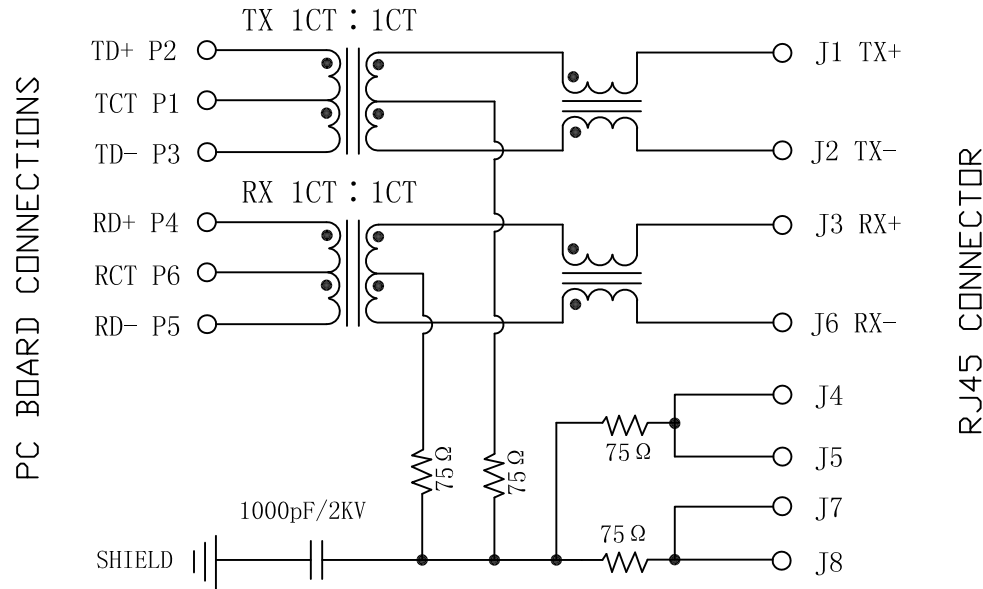


# Schematic:

REV.	ECN NO.	DESCRIPTION	DATE	APPD
A	REL		2010/07/28	



## Electrical Specifications @25°C

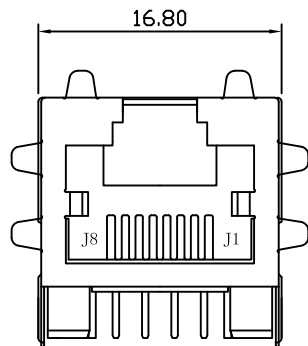
- Turns Ratio ( $\pm 2\%$ ):  
TX=1CT:1CT      RX=1CT:1CT
- Inductance (@100KHz/0.1V@8mA):  
350uH MIN
- Insertion Loss:  
0.1-100MHz:-1.0dB MAX
- Return Loss (dB MIN):  
1-30MHz:-20  
30-60MHz:-15  
60-80MHz:-10
- Crosstalk (dB MIN):  
1-30MHz:-20  
30-60MHz:-15  
60-100MHz:-30
- Common To Common Mode Rejection:  
1-100MHz:-30dB MIN
- Hi-Pot: 1500VAC FOR 60 SECONDS MIN.
- Operating Temperature Range:  $-40^{\circ}\text{C} \sim +85^{\circ}\text{C}$ .



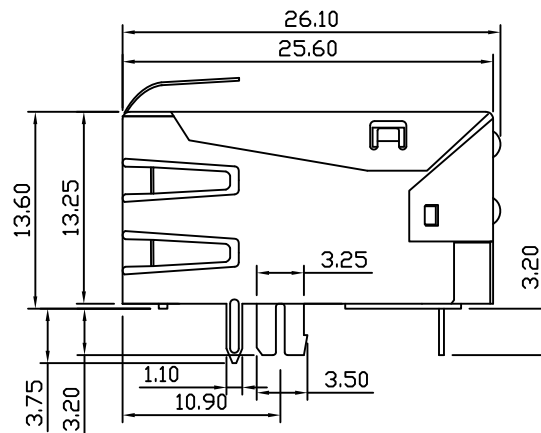
X:X	$\pm 0.30$	APPD:	LINK-PP INT'L TECHNOLOGY CO., LIMITED	
X:XX	$\pm 0.25$	CHKD:	TITLE: RJ45 Connector with 10/100 Base-TX Integrated Magnetic	
X:XXX	$\pm 0.05$	DR: TOM	PART NO.: LPJ9011CNL	
ANGLES	$\pm 1^{\circ}$	UNIT: mm	DWG NO.: LP10072820	
	SCALE: 2/1	SHEET: 1/2	REV: A	

# Mechanical:

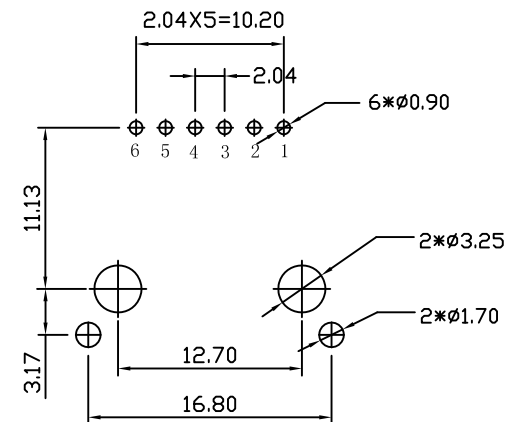
REV.	ECN NO.	DESCRIPTION	DATE	APPD
A	REL		2010/07/28	



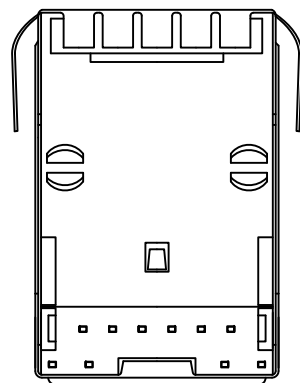
Front Side View



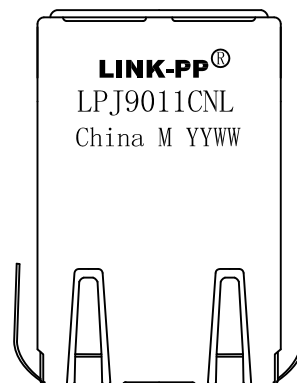
Left Side View



Suggested PCB Layout (Top View)



Bottom Side View



Top Side View

## NOTES:

1. Designed to support application, such as SOHO (ADSL modems), LAN-ON-Motherboard (LOM), hub and Swiches.
2. Meets IEEE 802.3 specification
3. Connector Materials:  
 Housing Material: Thermoplastic PA66+30%G.F UL94V-0  
 Contact Material: Phosphor Bronze C5210R-EH Thickness=0.35mm  
 Pins: Brass C2680R-H Thickness=0.35mm  
 Contact plating: Gold 6 micro-inches min. In contact area.
4. Wave solder tip temperature: 265°C Max, 5 Sec.
5. UL Certification: File Number E484635.

X:X	±0.30	APPD:	LINK-PP INT'L TECHNOLOGY CO., LIMITED	
X:XX	±0.25	CHKD:	TITLE: RJ45 Connector with 10/100 Base-TX Integrated Magnetic	
X:XXX	±0.05	DR: TOM	PART NO.: LPJ9011CNL	
ANGLES	±1°	UNIT: mm	DWG NO.: LP10072820	
	SCALE: 2/1	SHEET: 2/2	REV: A	