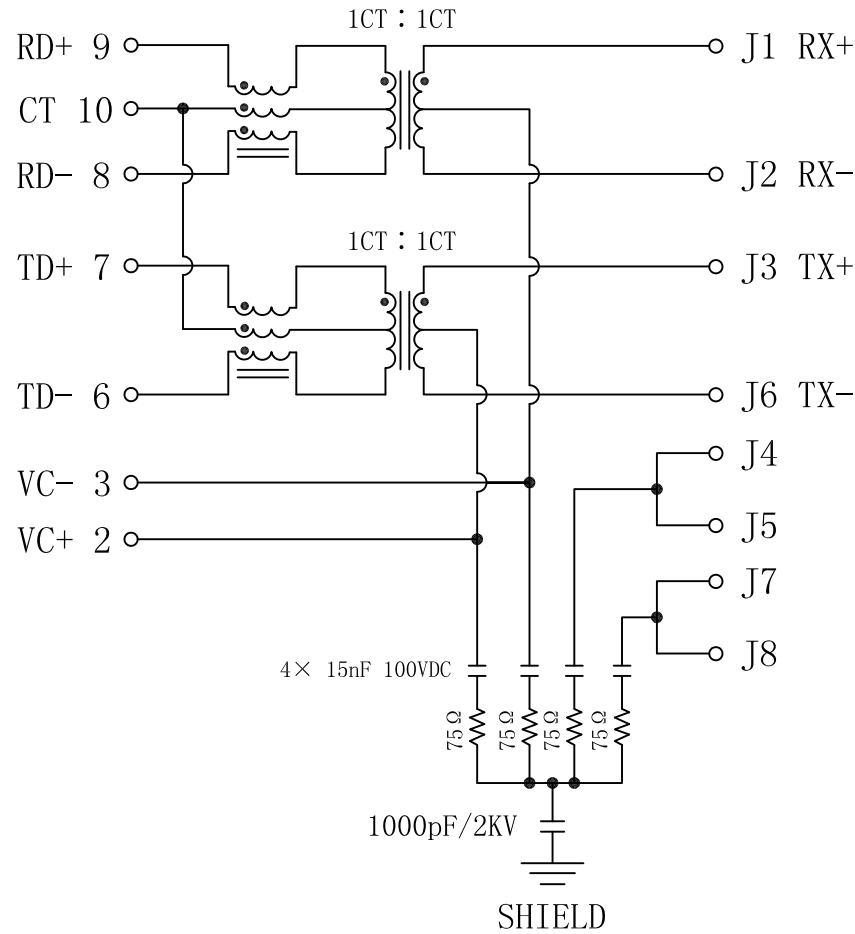


Schematic:

REV.	ECN NO.	DESCRIPTION	DATE	APPD
A	REL		2012/06/14	

PCB CONNECTIONS



RJ45 CONNECTOR

Electrical Specifications @25°C

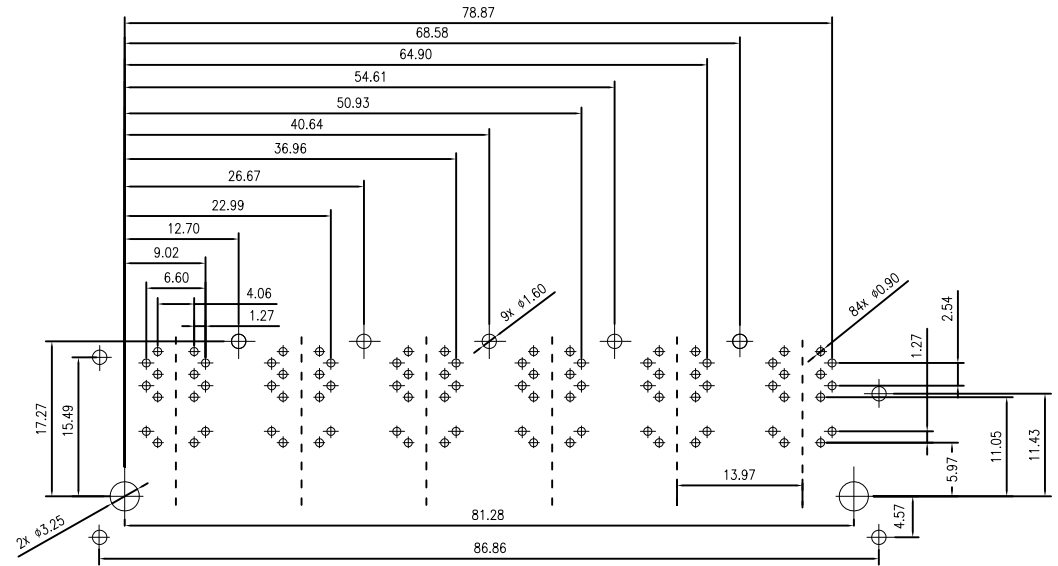
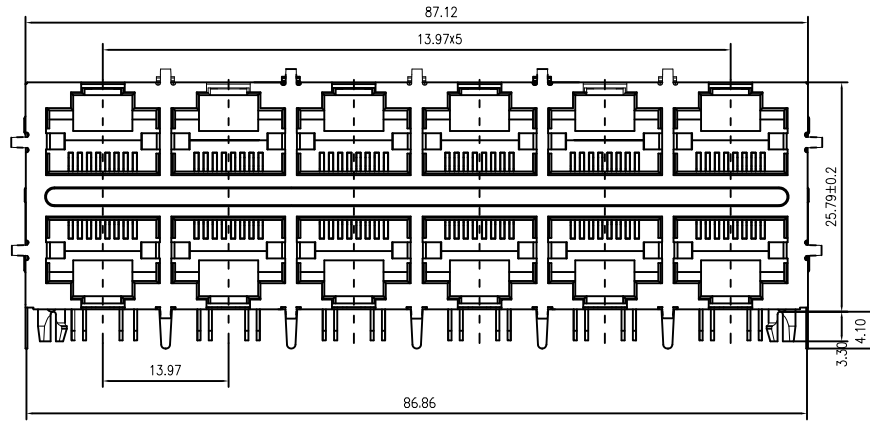
1. OCL: 350uH Min
@100KHz, 100mVrms, 8mA DC Bias
2. Turns Ratio:
TX = 1CT : 1CT ±2%
RX = 1CT : 1CT ±2%
3. Insertion Loss:
0.1~100MHz: -1.5dB Max
4. Return Loss(dB Min):
2~30MHz: -16
60~80MHz: -10
5. Crosstalk:
0.1~100MHz: -30dB Min
6. Balanced DC Line Current:
720mA Max. @57VDC Continuous
1.2A Max. @57VDC for 200 Milliseconds
7. Hi-Pot: 1500Vrms @60Hz
8. Operating Temperature: 0°C~70°C.



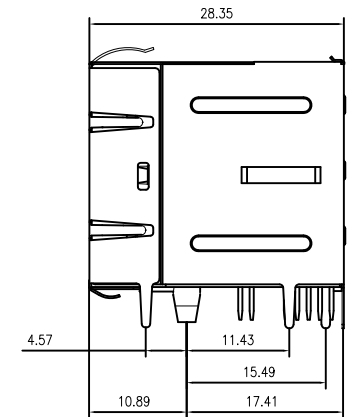
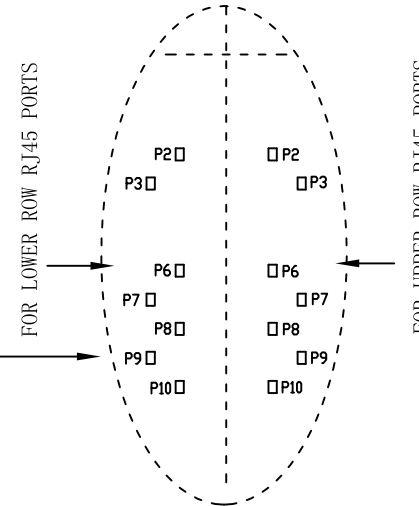
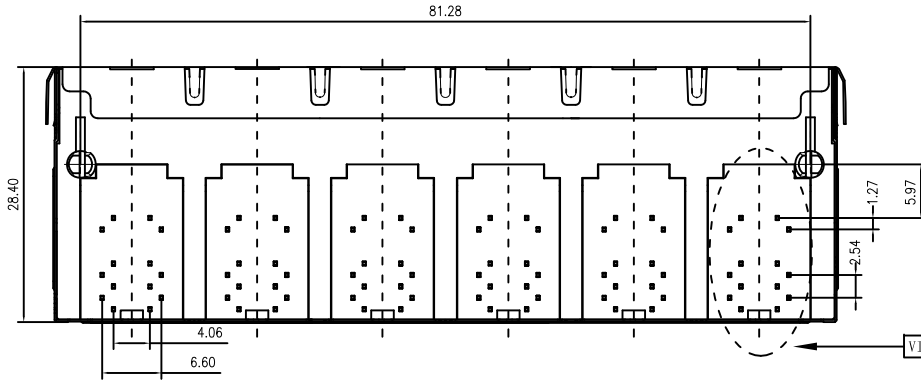
X:X	±0.20	APPD:	LINK-PP INT'L TECHNOLOGY CO., LIMITED
X:XX	±0.10	CHKD:	
X:XXX	±0.05	DR: TOM	TITLE: RJ45 . Transformer. 10/100 Base-T. 2×6 Ports For PoE+ Application.
ANGLES	±1°	UNIT: mm	PART NO.: LPJ67499CNL
	SCALE: 2/1	SHEET: 1/2	REV: A DWG NO.: LP12061411

Mechanical:

REV.	ECN NO.	DESCRIPTION	DATE	APPD
A	REL		2012/06/14	



SUGGESTED PCB LAYOUT (TOP VIEW)



NOTES:

1. Designed to support application, such as SOHO (ADSL modems), LAN-on-Motherboard (LOM), hub and Switches.
2. Meets IEEE 802.3 specification
3. Connector Materials:
 Housing: Thermoplastic UL94V-0
 Contact/Shield: Copper alloy
 Shield plating: Nickel
 Contact plating: Gold 6 micro-inches min. In contact area.
4. Wave solder tip temperature: 265°C Max
 Wave solder tip temperature time: 5 Sec Max



X:X	±0.20	APPD:	LINK-PP INT'L TECHNOLOGY CO., LIMITED
X:XX	±0.10	CHKD:	
X:XXX	±0.05	DR: TOM	TITLE: RJ45 . Transformer. 10/100 Base-T. 2×6 Ports For PoE+ Application.
ANGLES	±1°	UNIT: mm	PART NO.: LPJ67499CNL
	SCALE: 2/1	SHEET: 2/2	REV: A DWG NO.: LP12061411