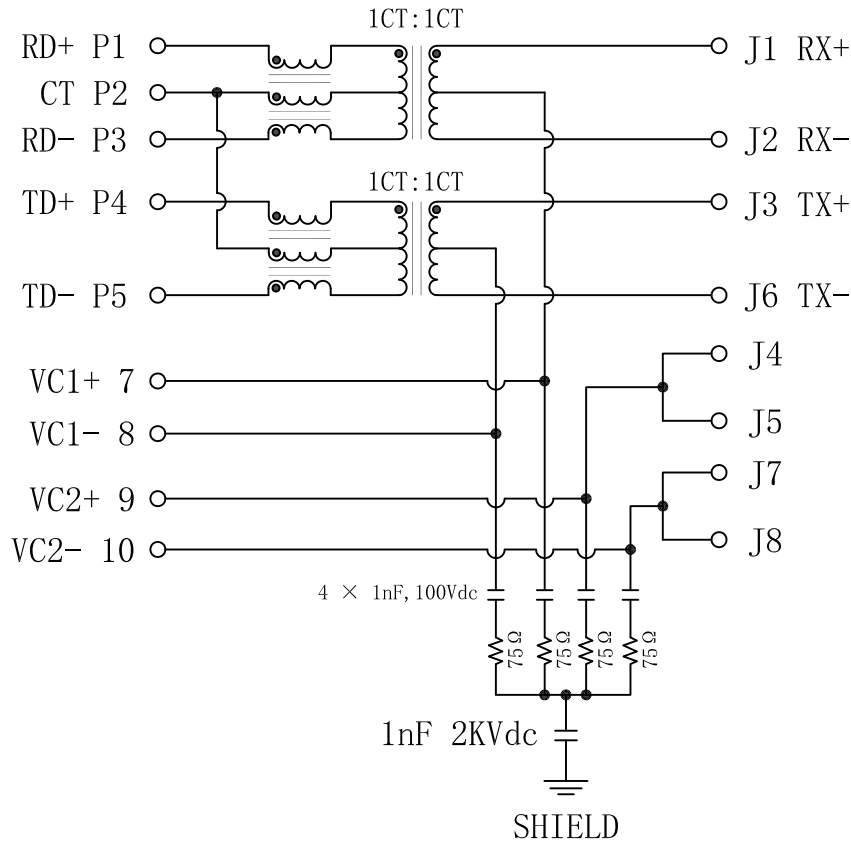


Schematic:

| REV. | ECN NO. | DESCRIPTION | DATE | APPD |
|------|---------|-------------|------|------|
| A    | REL     |             |      |      |

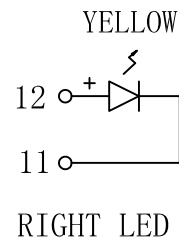
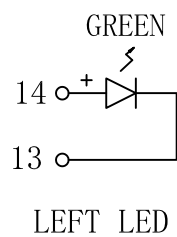
PCB CONNECTIONS



Electrical Specification @25°C

- Turns Ratio ( $\pm 2\%$ ) :  
TX=1CT:1CT      RX=1CT:1CT
- Insertion Loss:  
1~100MHz: -1.5dB Max
- Return Loss:  
1~30MHz:-16dB Min  
60~80MHz:-10dB Min
- Crosstalk:  
1~100MHz:-30dB Min
- CM TO CM REJECTION:  
0.1~100MHz:-30dB Min
- OCL(@100KHz, 0.1V, 8mA DC Bias):  
350uH Min
- Balanced DC Line Current:  
350mA Max.@57VDC continuous.  
500mA Max.@57VDC for 200 miliseconds.
- Hipot: 1500Vrms
- Operating Temperature: -40°C ~+85°C

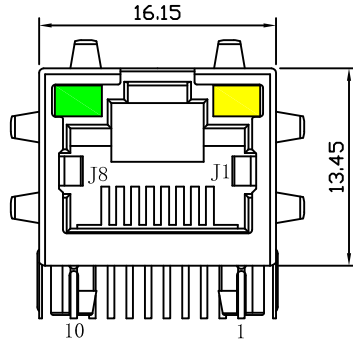
| Emitting Color | $\lambda$ p(nm) | VF@IF=20mA | IR @VR=5V      |
|----------------|-----------------|------------|----------------|
| GREEN          | 565             | 1.8~2.6V   | 10 $\mu$ A max |
| YELLOW         | 585             | 1.8~2.6V   | 10 $\mu$ A max |



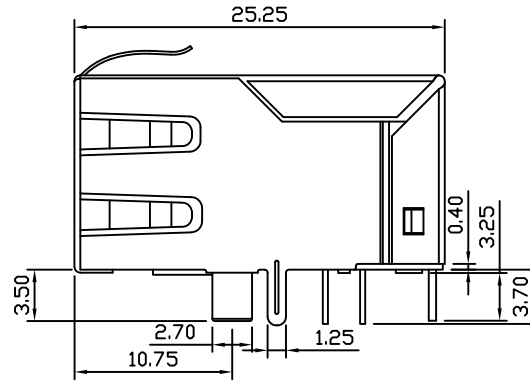
|        |               |            |  |  |
|--------|---------------|------------|--|--|
| X:X    | $\pm 0.30$    | APPD:      | LINK-PP INT'L TECHNOLOGY CO., LIMITED  |  |
| X:XX   | $\pm 0.25$    | CHKD:      | TITLE: RJ45 Connector with 10/100 Base-T<br>Integrated Magnetics For PoE Application |  |
| X:XXX  | $\pm 0.05$    | DR: TOM    | PART NO. : LPJ6144AHNL   |  |
| ANGLES | $\pm 1^\circ$ | UNIT: mm   | DWG NO. : LP11090842   |  |
|        | SCALE: 2/1    | SHEET: 1/2 | REV: A   |  |

# Mechanical:

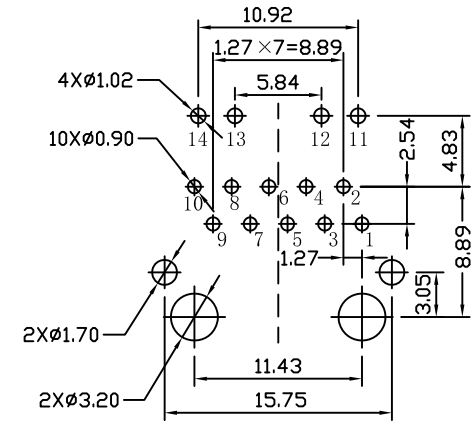
| REV. | ECN NO. | DESCRIPTION | DATE       | APPD |
|------|---------|-------------|------------|------|
| A    | REL     |             | 2011-09-08 |      |



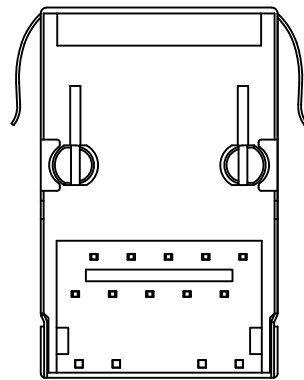
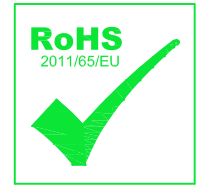
Front Side View



Left Side View



Suggested PCB Layout (Top View)



Bottom Side View



Top Side View

## NOTES:

1. Designed to support application, such as SOHO (ADSL modems), LAN-on-Motherboard (LOM), hub and Switches.
2. Meets IEEE 802.3af specification
3. Connector Materials:  
 Housing: Thermoplastic PBT+30%G.F UL94V-0  
 Contact: Phosphor Bronze C5210R-EH Thickness=0.35mm  
 Pins: Brass C2680R-H Thickness=0.35mm  
 Shield: SUS 201-1/2H Thickness=0.2mm  
 Contact plating: Gold 6 micro-inches min. In contact area.
4. Wave solder tip temperature: 265°C Max, 5 Sec Max
5. UL Certification: File Number E484635.

|             |            |   |
|-------------|------------|---|
| X:X ±0.30   | APPD:      | LINK-PP INT'L TECHNOLOGY CO., LIMITED   |
| X:XX ±0.25  | CHKD:      |   |
| X:XXX ±0.05 | DR: TOM    | TITLE: RJ45 Connector with 10/100 Base-T Integrated Magnetics For PoE Application |
| ANGLES ±1°  | UNIT: mm   | PART NO.: LPJ6144AHNL   |
|             | SCALE: 2/1 | SHEET: 2/2  |
|             | REV: A     | DWG NO.: LP11090842   |