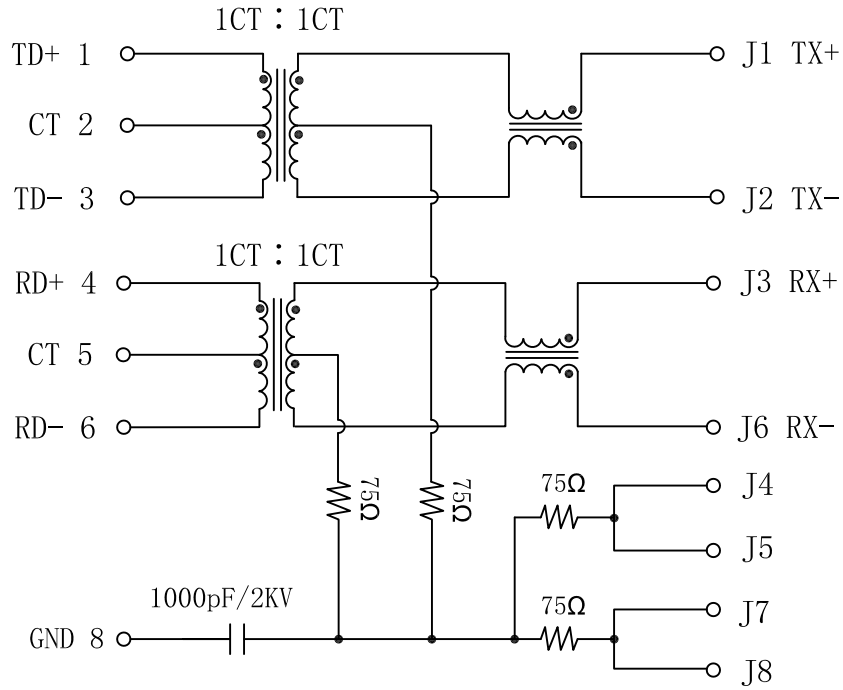


Schematic:

REV.	ECN NO.	DESCRIPTION	DATE	APPD
A	REL		2010-09-25	

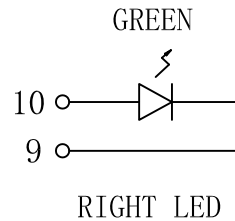
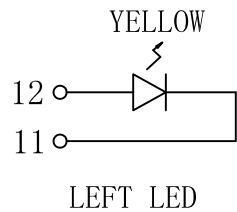
PC BOARD CONNECTIONS



RJ45 CONNECTOR

Electrical Specifications @25°C

- Turns Ratio:
TX = 1CT:1CT RX = 1CT:1CT
- OCV (@100KHz, 0.1V, 8mA DC Bias):
350uH MIN
- Insertion Loss:
1~65MHz:-1.0dB MAX
- Return Loss:
1~10MHz:-2dB MIN.
10~30MHz:-16dB MIN.
30~60MHz:-12dB MIN.
60~100MHz:-10dB MIN.
- Crosstalk:
1~30MHz:-40dB MIN
30~60MHz:-35dB MIN
60~100MHz:-30dB MIN
- Common Mode Rejection:
1~50MHz:-30dB MIN
50~150MHz:-20dB MIN
- Hipot (60Hz/1min): 1500Vrms MIN
- Operating Temperature: -40°C ~+85°C.

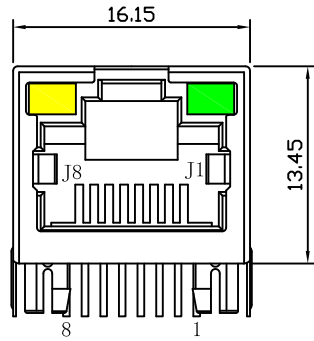


Emitting Color	λ p(nm)	VF@IF=20mA	IR @VR=5V
GREEN	565	1.8~2.6V	10 μ A max
YELLOW	585	1.8~2.6V	10 μ A max

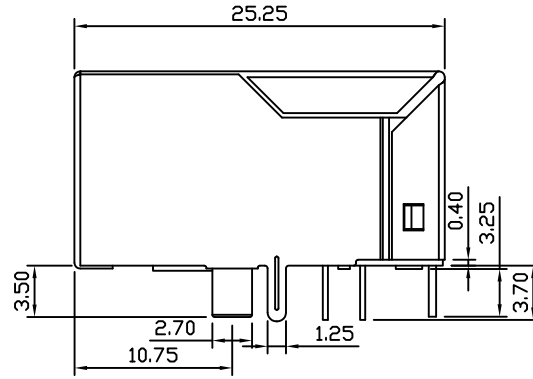
X:X	± 0.30	APPD:	LINK-PP INT'L TECHNOLOGY CO., LIMITED
X:XX	± 0.25	CHKD:	
X:XXX	± 0.05	DR: TOM	
ANGLES	$\pm 1^\circ$	UNIT: mm	TITLE: RJ45 Connector with 10/100 Base-T Integrated Magnetics
		PART NO.:	LPJ6014BGNL
	SCALE: 2/1	SHEET: 1/2	REV: A
		DWG NO.:	LP110092519

Mechanical:

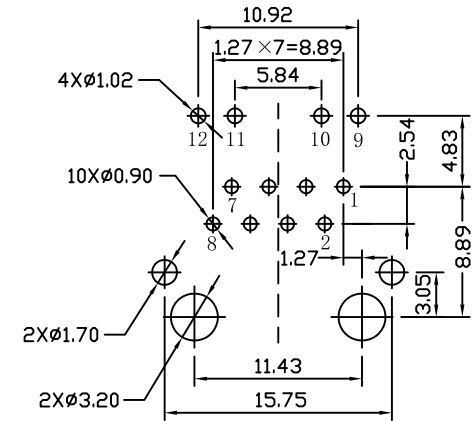
REV.	ECN NO.	DESCRIPTION	DATE	APPD
A	REL		2010-09-25	



Front Side View



Left Side View

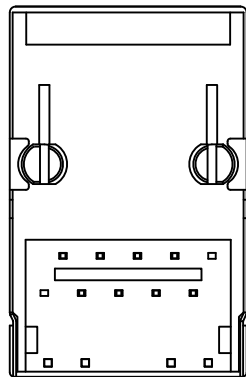


Suggested PCB Layout (Top View)

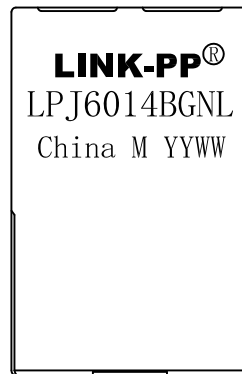


NOTES:

1. Designed to support application, such as SOHO (ADSL modems), LAN-on-Motherboard (LOM), hub and Switches.
2. Meets IEEE 802.3 specification
3. Connector Materials:
 Housing: Thermoplastic PBT+30%G. F UL94V-0
 Contact: Phosphor Bronze C5210R-EH Thickness=0.35mm
 Pins: Brass C2680R-H Thickness=0.35mm
 Shield: SUS 201-1/2H Thickness=0.2mm
 Contact plating: Gold 6 micro-inches min. In contact area.
4. Wave solder tip temperature: 265°C Max, 5 Sec.
5. UL Certification: File Number E484635.



Bottom Side View



Top Side View

X:X ±0.30	APPD:	LINK-PP INT'L TECHNOLOGY CO., LIMITED		
X:XX ±0.25	CHKD:	TITLE: RJ45 Connector with 10/100 Base-T Integrated Magnetics		
X:XXX ±0.05	DR: TOM	PART NO.: LPJ6014BGNL		
ANGLES ±1°	UNIT: mm	DWG NO.: LP110092519		
	SCALE: 2/1	SHEET: 2/2	REV: A	