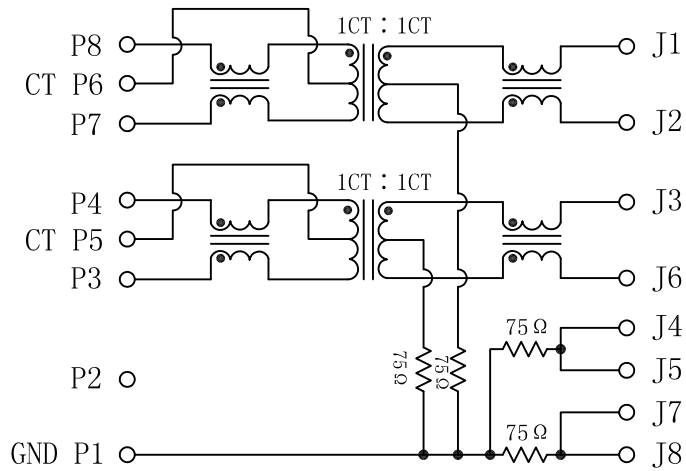
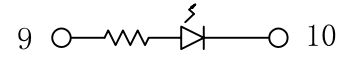


Schematic:

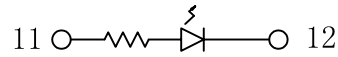
REV.	ECN NO.	DESCRIPTION	DATE	APPD
A	REL		2011/07/20	



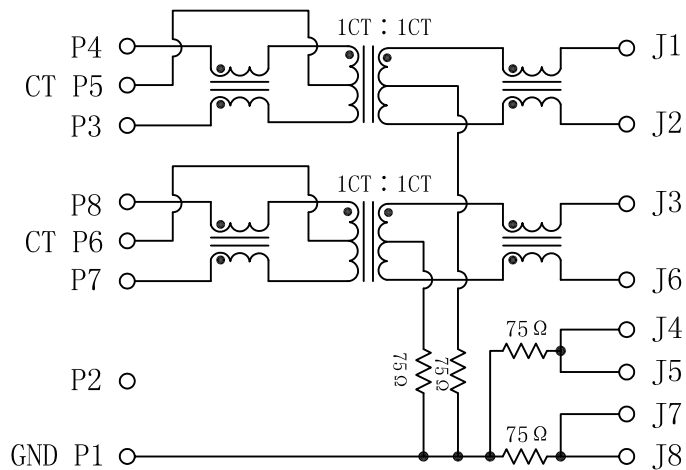
PORTS A & C MAGNETIC CIRCUIT



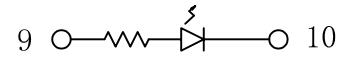
LEFT LED/GREEN



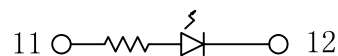
RIGHT LED/GREEN



PORTS B & D MAGNETIC CIRCUIT



LEFT LED/GREEN



RIGHT LED/GREEN



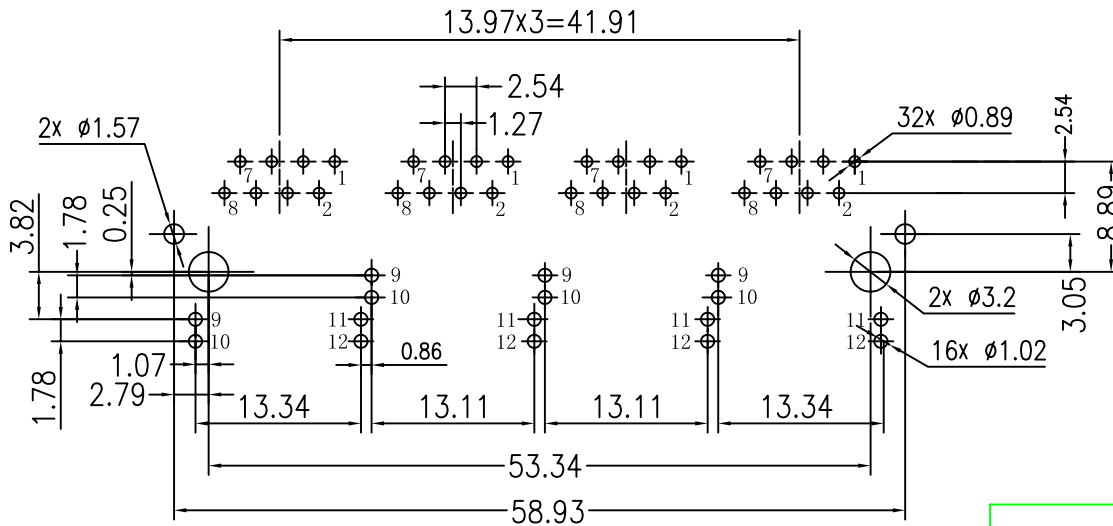
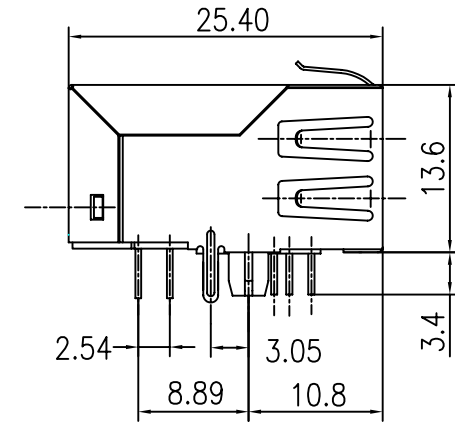
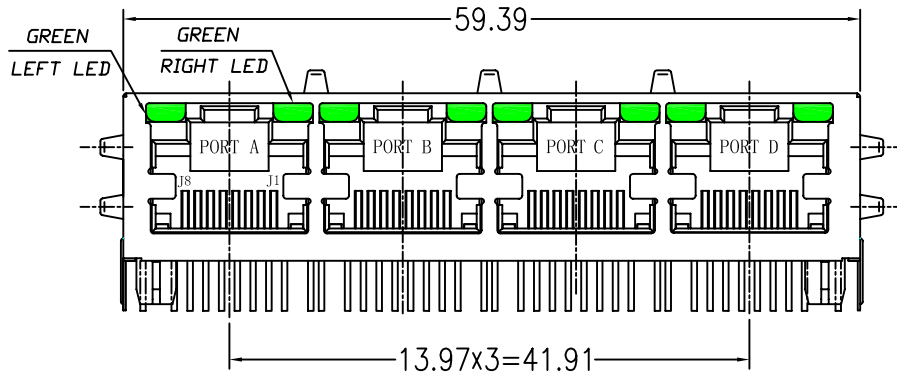
Electrical Specifications @25°C

- Turn Ratio:
TX=1CT:CT RX=1CT:1CT
- OCL(100KHz, 0.1V, 8mA DC BIAS):
350uH MIN
- Insertion Loss:
1~100MHz:-1.0dB MAX
- Return Loss:
1~10MHz:-18dB MIN
10~30MHz:-16dB MIN
30~60MHz:-14dB MIN
60~80MHz:-12dB MIN
80~100MHz:-10dB MIN
- Crosstalk:
1~100MHz:-35dB MIN
- Common Mode Rejection:
1~100MHz:-35dB MIN
- HiPot Test: 1500V AC 1mA 1S
- Operating Temperature: 0°C TO +70°C.

X:X	±0.20	APPD:	LINK-PP INT'L TECHNOLOGY CO., LIMITED	
X:XX	±0.10	CHKD:		
X:XXX	±0.05	DR: TOM	TITLE: RJ45 Connector With 10/100 Base-TX Integrated Magnetic	
ANGLES	±1°	UNIT: mm	PART NO.: LPJ48001AZNL-2	
	SCALE: 2/1	SHEET: 1/2	REV: A	DWG: LP11072003

Mechanical :

REV.	ECN NO.	DESCRIPTION	DATE	APPD
A	REL		2011/07/20	



SUGGESTED PCB LAYOUT (TOP VIEW)



NOTES:

1. Designed to support application, such as SOHO (ADSL modems), LAN-on-Motherboard (LOM), hub and Switches.
2. Meets IEEE 802.3 specification
3. Connector Materials:
Housing: Thermoplastic UL94V-0
Contact/Shield: Copper alloy
Shield plating: Nickel
Contact plating: Gold 6 micro-inches min. In contact area.
4. Wave solder tip temperature: 265°C Max
Wave solder tip temperature time: 5 Sec Max

X:X	± 0.20	APPD:	LINK-PP INT'L TECHNOLOGY CO., LIMITED	
X:XX	± 0.10	CHKD:	TITLE: RJ45 Connector With 10/100 Base-TX Integrated Magnetic	
X:XXX	± 0.05	DR: TOM	PART NO.: LPJ48001AZNL-2	
ANGLES	$\pm 1^\circ$	UNIT: mm		
	SCALE: 2/1	SHEET: 2/2	REV: A	DWG: LP11072003