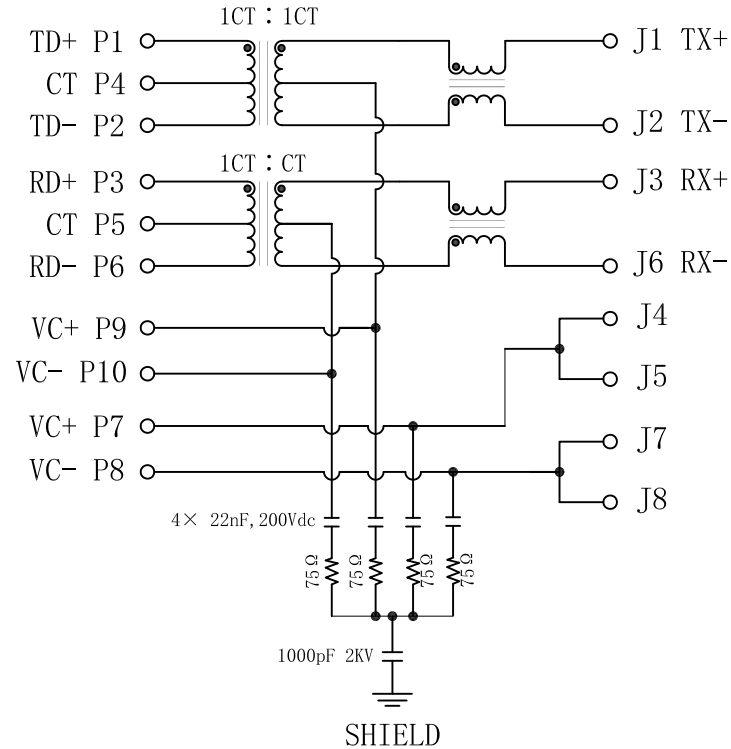


Schematic:

REV.	ECN NO.	DESCRIPTION	DATE	APPD
A	REL		2018/09/04	

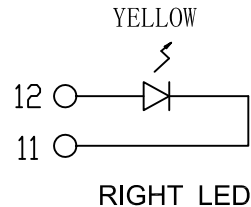
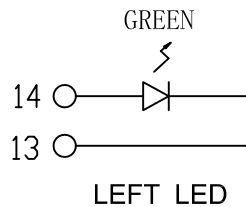
PC BOARD CONNECTIONS



RJ45 CONNECTOR

Electrical Specifications @25°C

1. OCL: 350uH Min
@100KHz, 100mVrms, 8mA DC Bias
2. Turns Ratio:
TX = 1CT : 1CT ±3%
RX = 1CT : 1CT ±3%
3. Insertion Loss:
1~125MHz: -1.2dB Max
4. Return Loss (dB Min):
1~30MHz: -18
30~80MHz: -12
5. Crosstalk:
1~100MHz: -30dB Typ
6. Common Mode Rejection:
1~100MHz: -30dB Typ
7. Balanced DC Line Current:
350mA Max. @57VDC Continuous
500mA Max. @57VDC for 200 Milliseconds
8. Hi-Pot: 1500Vrms @60Hz
9. Operating Temperature: -40°C ~ +85°C.

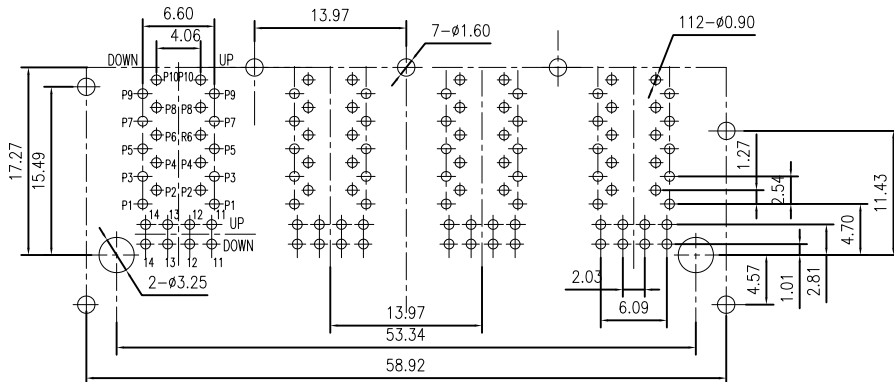
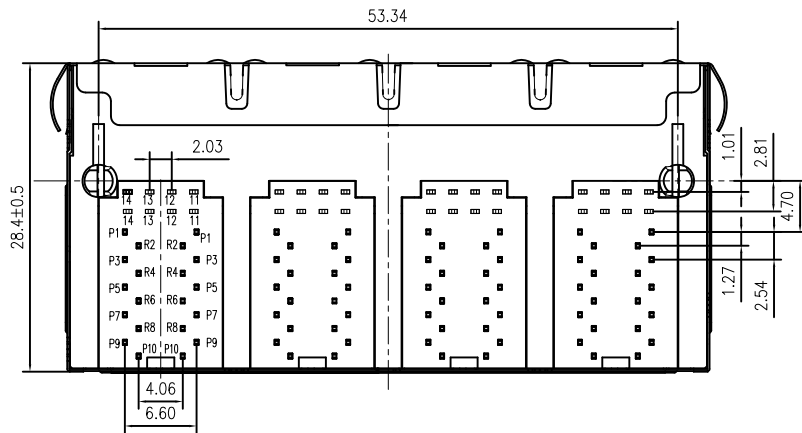
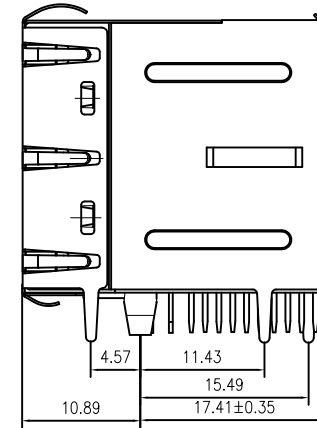
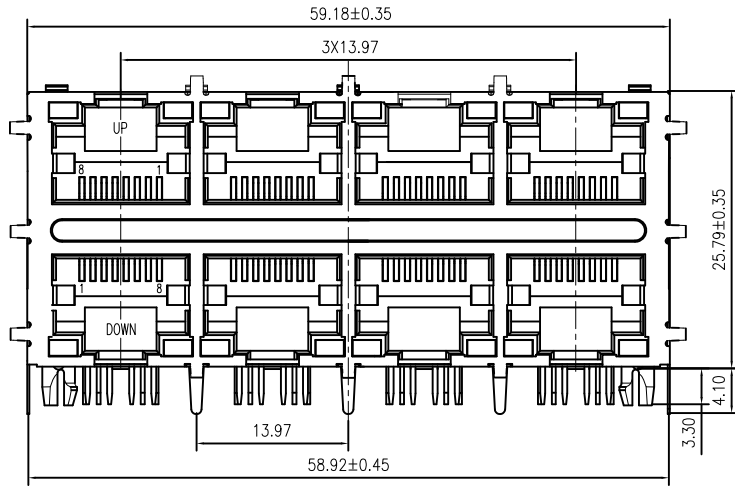


Emitting Color	λ p(nm)	VF@IF=20mA	IR @VR=5V
GREEN	565	1.8~2.6V	10 μ A max
YELLOW	585	1.8~2.6V	10 μ A max

X:X	±0.30	APPD:	LINK-PP INT'L TECHNOLOGY CO., LIMITED
X:XX	±0.25	CHKD:	
X:XXX	±0.05	DR: TOM	TITLE: RJ45 .Transformer. 10/100 Base-T. 2×4 Ports For PoE Application.
ANGLES	±1°	UNIT: mm	PART NO. : LPJ47445-8AHNL
	SCALE: 2/1	SHEET: 1/2	REV: A
			DWG NO. : LP18090401

Mechanical :

REV.	ECN NO.	DESCRIPTION	DATE	APPD
A	REL		2018/09/04	



SUGGESTED PCB LAYOUT (TOP VIEW)

NOTES:

1. Designed to support application, such as SOHO (ADSL modems), LAN-on-Motherboard (LOM), hub and Switches.
2. Meets IEEE 802.3af specification
3. Connector Materials:
Housing: Thermoplastic UL94V-0
Contact/Shield: Copper alloy
Shield plating: Nickel
Contact plating: Gold 30 micro-inches min. In contact area.
4. Wave solder tip temperature: 265°C Max, 5 Sec.
5. UL Certification: File Number E484635.



X:X	±0.30	APPD:	LINK-PP INT'L TECHNOLOGY CO., LIMITED	
X:XX	±0.25	CHKD:	TITLE: RJ45 .Transformer. 10/100 Base-T. 2×4 Ports For PoE Application.	
X:XXX	±0.05	DR: TOM	PART NO. : LPJ47445-8AHNL	
ANGLES	±1°	UNIT: mm	PART NO. : LPJ47445-8AHNL	
	SCALE: 2/1	SHEET: 2/2	REV: A	DWG NO. : LP18090401