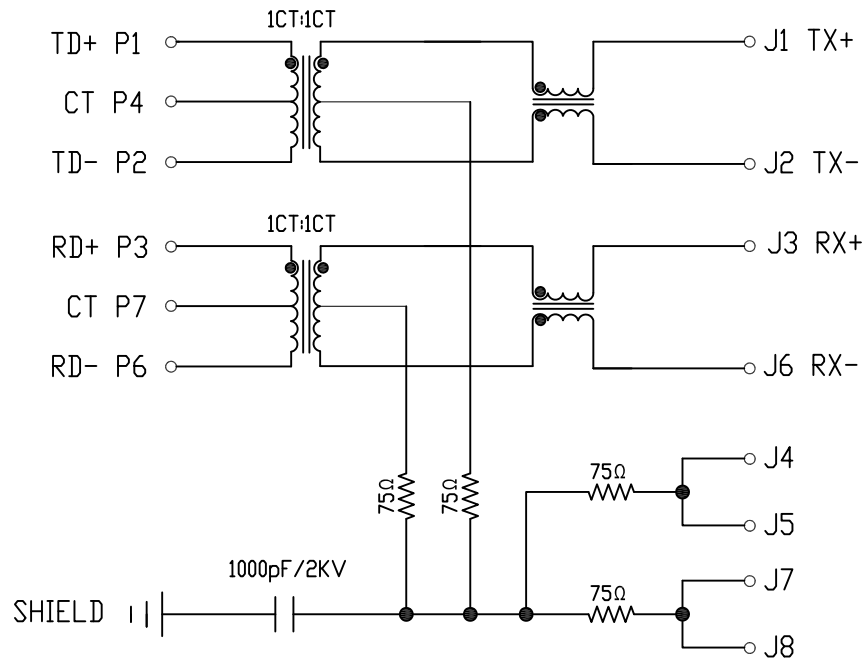


# Schematic:

REV.	ECN NO.	DESCRIPTION	DATE	APPD
A	REL		24/12/2008	

PCB SIDE TD PHY

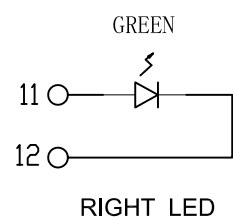
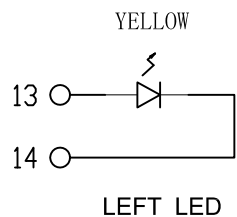


CABLE

## Electrical Specifications:

- Transmitter filter & Receiver filter  
Type: Balance low pass 100Ω impedance  
Insertion Loss:  
1-100MHz: -1.0dB MAX  
Return Loss:  
1-30MHz: -18dB MIN. load 100Ω  
30-60MHz: -16dB MIN. load 100Ω  
60-80MHz: -12dB MIN. load 100Ω
- Turns Ratio: 1:1
- Inductance @ 100KHz, 0.1V, 8mA DC BIAS  
Input (P1-P2), Input (P3-P6) : 350uH MIN
- Crosstalk: 1-100MHz: -30dB MIN
- CMR: 1-100MHz: -30dB MIN
- Hipot:  
Input (P1-P2) to Output (J1-J2) : 1500VAC, 60sec  
Input (P3-P6) to Output (J3-J6) : 1500VAC, 60sec.
- Operating Temperature: -40°C ~ +85°C.

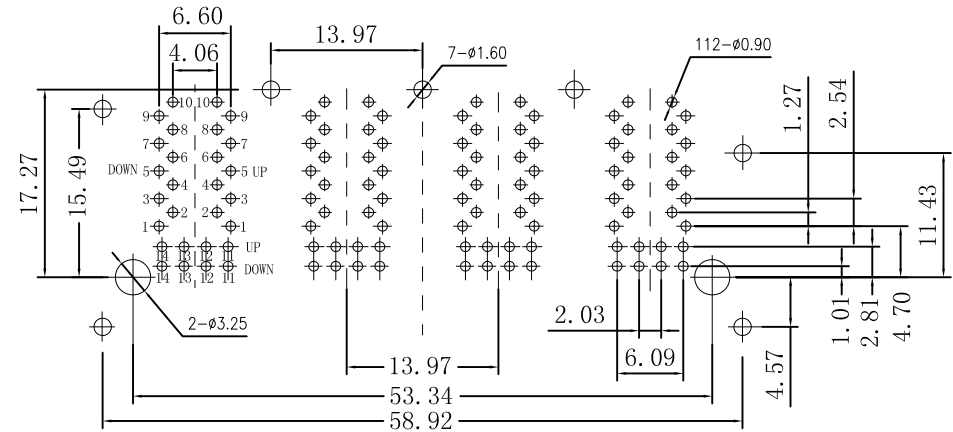
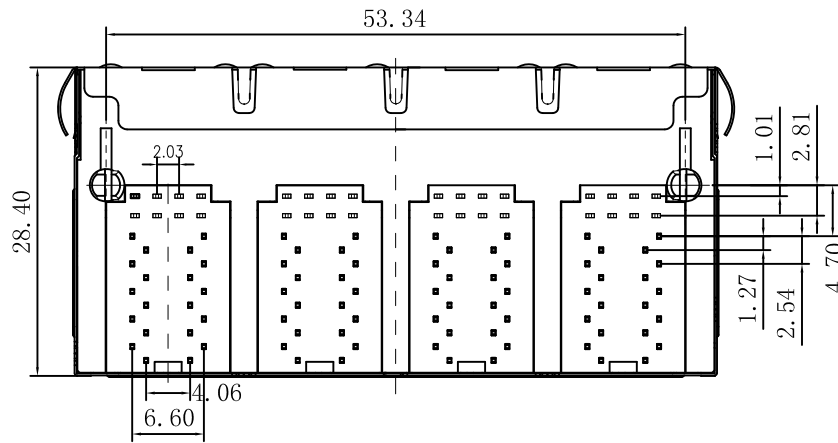
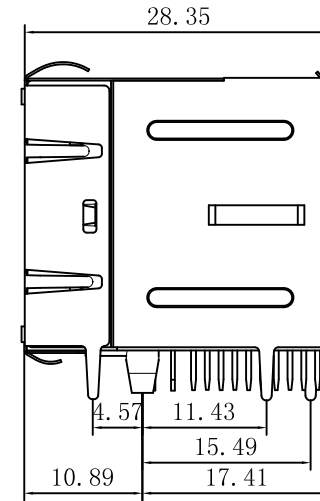
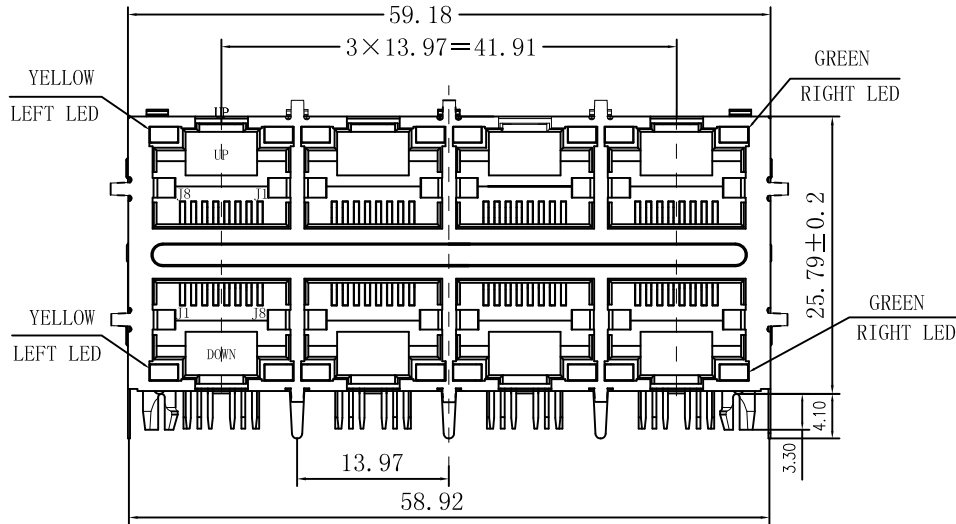
Emitting Color	λ p(nm)	VF@IF=20mA	IR @VR=5V
GREEN	565	1.8~2.6V	10 μ A max
YELLOW	585	1.8~2.6V	10 μ A max



X:X	±0.20	APPD:	LINK-PP INT'L TECHNOLOGY CO., LIMITED
X:XX	±0.10	CHKD:	
X:XXX	±0.05	DR: TOM	TITLE: RJ45 . Transformer. 10/100 Base-T W/LED. 2×4
ANGLES	±1°	UNIT: mm	PART NO.: LPJ47403ADNL
	SCALE: 2/1	SHEET: 1/2	REV: A
			DWG NO.: LP08122429

# Mechanical:

REV.	ECN NO.	DESCRIPTION	DATE	APPD
A	REL		24/12/2008	



SUGGESTED PCB LAYOUT (TOP VIEW)

**NOTES:**

1. Designed to support application, such as SOHO (ADSL modems), LAN-on-Motherboard (LOM), hub and Switches.
2. Meets IEEE 802.3 specification
3. Connector Materials:  
 Housing: Thermoplastic UL94V-0  
 Contact/Shield: Copper alloy  
 Shield plating: Nickel  
 Contact plating: Gold 6 micro-inches min. In contact area.
4. Wave solder tip temperature: 265°C Max, 5 Sec Max.



X:X	±0.20	APPD:	LINK-PP INT'L TECHNOLOGY CO., LIMITED
X:XX	±0.10	CHKD:	
X:XXX	±0.05	DR: TOM	
ANGLES	±1°	UNIT: mm	TITLE: RJ45 .Transformer.10/100 Base-T W/LED.2x4
			PART NO.: LPJ47403ADNL
SCALE: 2/1		SHEET: 2/2	REV: A
		DWG NO.: LP08122429	