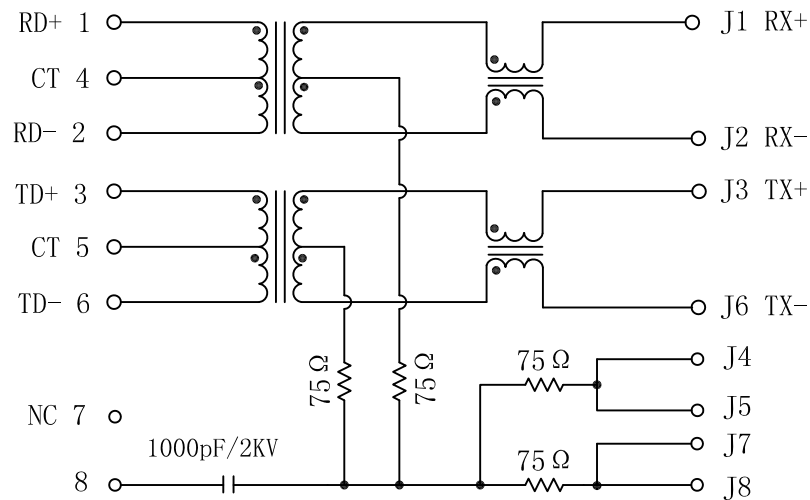


Schematic:

REV.	ECN NO.	DESCRIPTION	DATE	APPD
A	REL		2008/07/02	

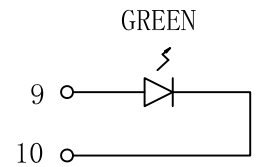
PCB CONNECTIONS



RJ45 CONNECTOR

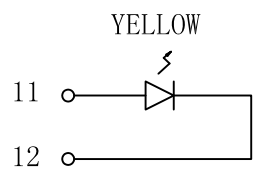
Electrical Specification @25°C

- Turns Ratio ($\pm 2\%$) :
TX=1CT:1CT RX=1CT:1CT
- OCL: 350uH Min
@100KHz, 0.1V, 8mA DC Bias
- Insertion Loss:
1~100MHz:-1.0dB Max
- Return Loss(dB Min):
1~30MHz:-16 30~60MHz:-12
60~80MHz:-10
- Crosstalk(dB Min):
1~30MHz:-40 30~60MHz:-35
60~100MHz:-30
- Common Mode Rejection(dB Min):
1~50MHz:-40 50~150MHz:-30
- Hipot: 1500V AC 6S 1mA
- Operating Temperature: -40°C~+85°C.



LEFT LED

LED POLARITY		COLOR
PIN 9	PIN 10	
+	-	GREEN



RIGHT LED

LED POLARITY		COLOR
PIN 11	PIN 12	
+	-	YELLOW

Emitting Color	λ p(nm)	VF@IF=20mA	IR @VR=5V
GREEN	565	1.8~2.4V	10 μ A max
YELLOW	585	1.8~2.4V	10 μ A max

X:X	± 0.30	APPD:	LINK-PP INT'L TECHNOLOGY CO., LIMITED
X:XX	± 0.25	CHKD:	
X:XXX	± 0.05	DR: TOM	TITLE: RJ45 Connector With 10/100 Base-TX Integrated Magnetic
ANGLES	$\pm 1^\circ$	UNIT: mm	PART NO.: LPJ46404AENL
	SCALE: 2/1	SHEET: 1/2	REV: A DWG: TRC07081120

