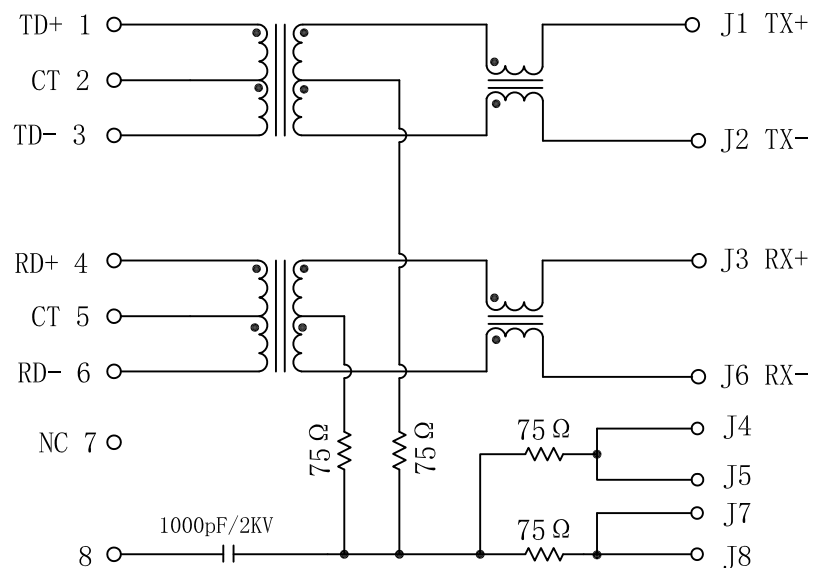


Schematic:

REV.	ECN NO.	DESCRIPTION	DATE	APPD
A	REL		2012/11/19	

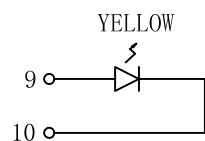
PCB CONNECTIONS



RJ45 CONNECTOR

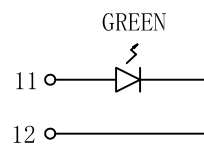
Electrical Specification @25°C

- Turns Ratio:
TX=1CT : 1CT RX=1CT : 1CT
- OC: 350uH Min
@100KHz, 0.1V, 8mA DC Bias
- Insertion Loss:
0.1~100MHz:-1.2dB Max
- Return Loss(dB Min):
1~10MHz:-18 30MHz:-16
60~1100MHz:-12
- Crosstalk(dB Min):
1~10MHz:-40 30~60MHz:-35
60~100MHz:-30
- Common Mode Rejection(dB Min):
1~50MHz:-30 50~130MHz:-20
- Hipot: 1500Vrms
- Operating Temperature: -40°C~+85°C.



LEFT LED

LED POLARITY		COLOR
PIN 9	PIN 10	
+	-	YELLOW



RIGHT LED

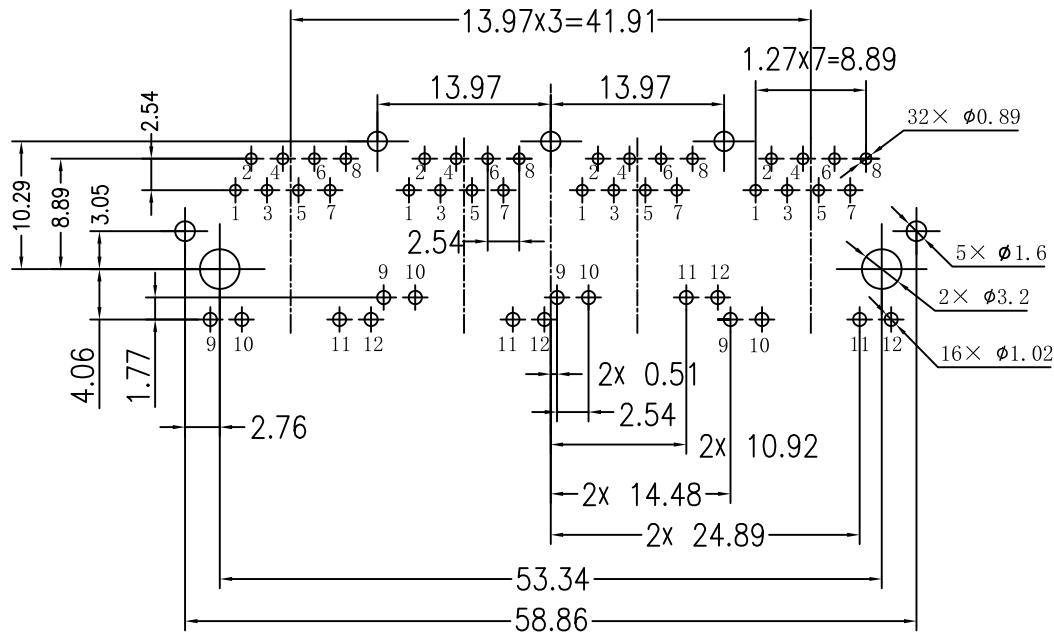
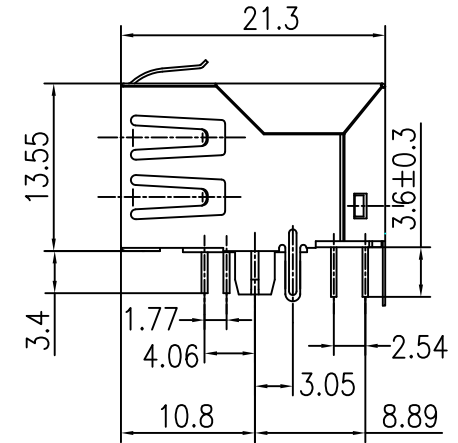
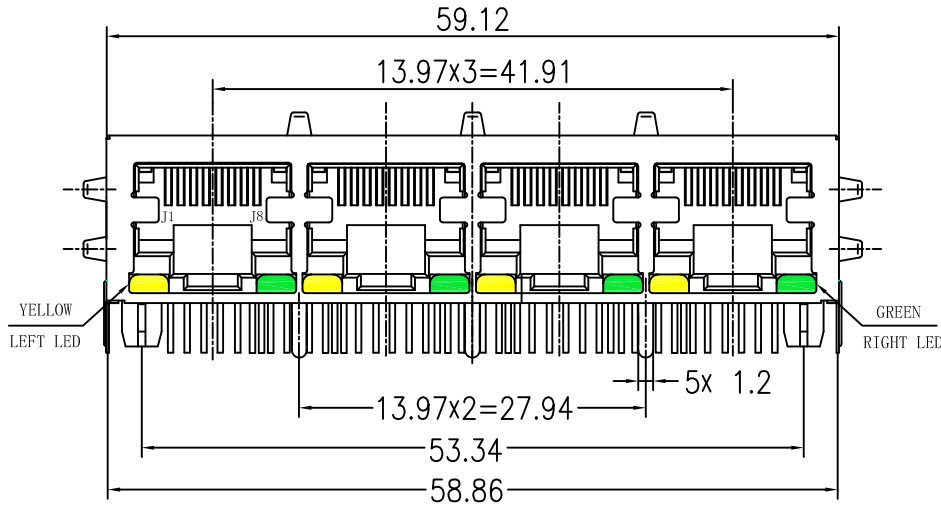
LED POLARITY		COLOR
PIN 11	PIN 12	
+	-	GREEN

Emitting Color	λ p(nm)	VF@IF=20mA	IR @VR=5V
GREEN	565	1.8~2.6V	10 μ A max
YELLOW	585	1.8~2.6V	10 μ A max

X:X	± 0.30	APPD:	LINK-PP INT'L TECHNOLOGY CO., LIMITED
X:XX	± 0.25	CHKD:	
X:XXX	± 0.05	DR: TOM	TITLE: RJ45 Connector With 10/100 Base-TX Integrated Magnetic
ANGLES	$\pm 1^\circ$	UNIT: mm	PART NO.: LPJ46401ADNL
	SCALE: 2/1	SHEET: 1/2	REV: A DWG: LP12111931

Mechanical:

REV.	ECN NO.	DESCRIPTION	DATE	APPD
A	REL		2012/11/19	



SUGGESTED PCB LAYOUT (TOP VIEW)

NOTES:

1. Designed to support application, such as SOHO (ADSL modems), LAN-on-Motherboard (LOM), hub and Switches.
2. Meets IEEE 802.3 specification
3. Connector Materials:
 Housing: Thermoplastic UL94V-0
 Contact/Shield: Copper alloy
 Shield plating: Nickel
 Contact plating: Gold 6 micro-inches min. In contact area.
4. Wave peak temperature: 260°C, 5Sec.



X:X	±0.30	APPD:	LINK-PP INT'L TECHNOLOGY CO., LIMITED
X:XX	±0.25	CHKD:	
X:XXX	±0.05	DR: TOM	TITLE: RJ45 Connector With 10/100 Base-TX Integrated Magnetic
ANGLES	±1°	UNIT: mm	PART NO.: LPJ46401ADNL
	SCALE: 2/1	SHEET: 2/2	REV: A DWG: LP12111931