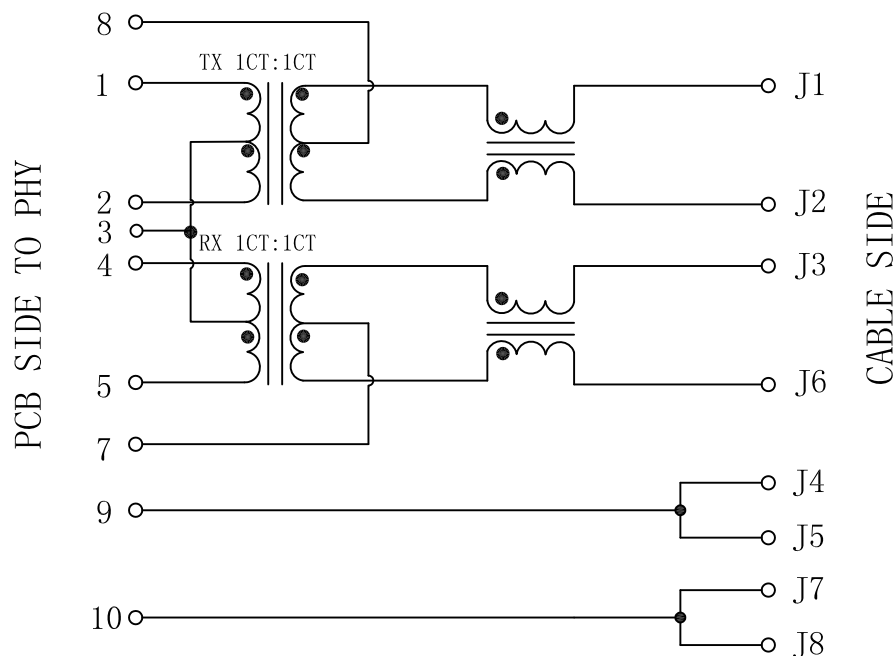


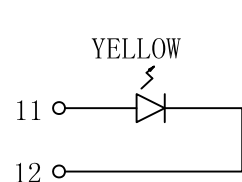
Schematic:

REV.	ECN NO.	DESCRIPTION	DATE	APPD
A	REL		2008/07/02	



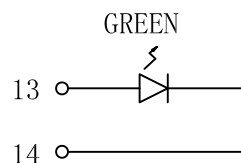
Electrical Specifications @25°C

1. TURNS RATIO ($\pm 5\%$):
TX=1CT:1CT RX=1CT:1CT
2. HI-POT: 1500Vrms
3. INSERTION LOSS:
-1.0dB MAX @1-100MHz
4. RETURN LOSS:
-20dB MIN @1-30MHz
-15dB MIN @30-60MHz
-10dB MIN @60-80MHz
5. CROSS TALK:
-30dB MIN @1-100MHz
6. CCMR:
-30dB MIN @1-100MHz
7. OCL: 350uH Min
@100KMHz 0.1Vrms With 8mA DC Bias
8. Operating temperature range: 0°C to +70°C



LEFT LED

LED POLARITY		COLOR
PIN 11	PIN 12	
+	-	YELLOW



RIGHT LED

LED POLARITY		COLOR
PIN 13	PIN 14	
+	-	GRREN

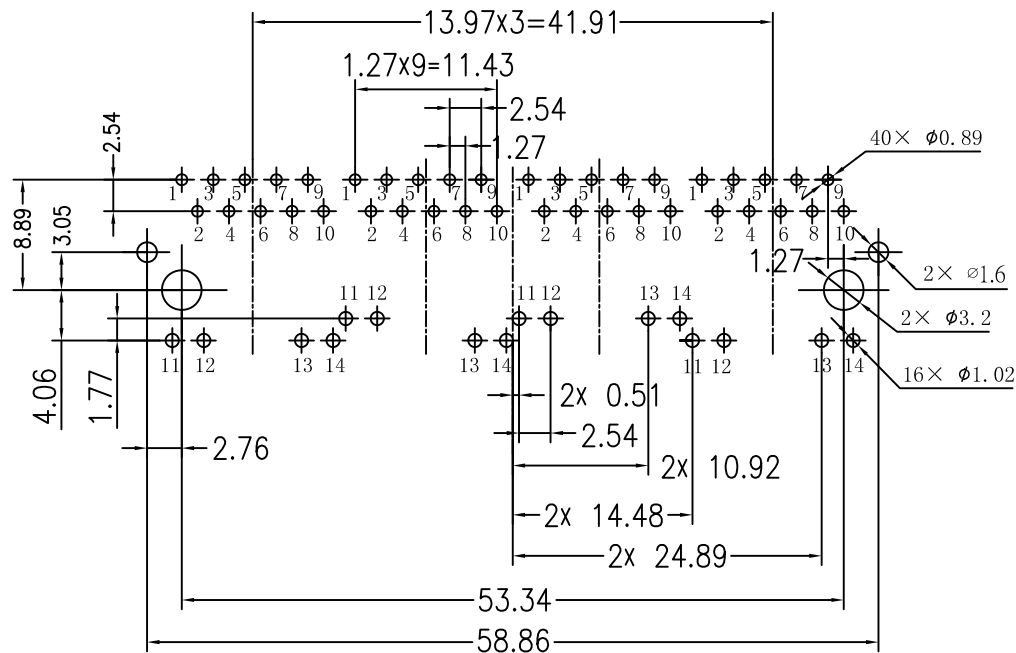
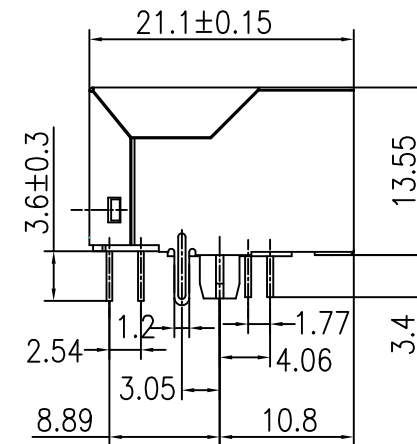
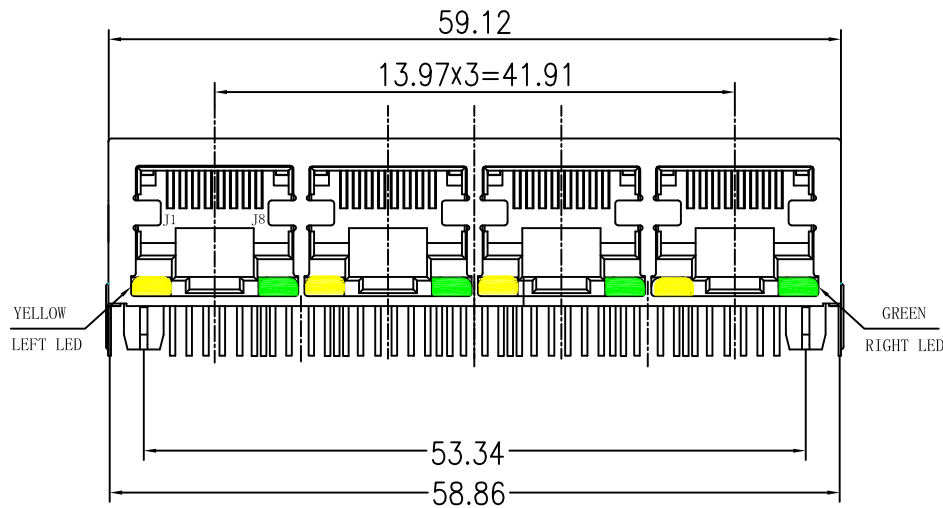


Emitting Color	λp (nm)	V _F @I _F =20mA	I _R @V _R =5V
GREEN	565	1.8~2.4V	10 μ A max
YELLOW	585	1.8~2.4V	10 μ A max

X:X	± 0.20	APPD:	LINK-PP INT'L TECHNOLOGY CO., LIMITED
X:XX	± 0.10	CHKD:	
X:XXX	± 0.05	DR: TOM	TITLE: RJ45 Connector With 10/100 Base-TX Integrated Magnetic For PoE Application
ANGLES	$\pm 1^\circ$	UNIT: mm	PART NO.: LPJ46297BDNL
	SCALE: 2/1	SHEET: 1/2	REV: A DWG: LP08070211

Mechanical:

REV.	ECN NO.	DESCRIPTION	DATE	APPD
A	REL		2008/07/02	



SUGGESTED PCB LAYOUT (TOP VIEW)

NOTES:

1. Designed to support application, such as SOHO (ADSL modems), LAN-on-Motherboard (LOM), hub and Switches.
2. Meets IEEE 802.3af specification
3. Connector Materials:
 Housing: Thermoplastic UL94V-0
 Contact/Shield: Copper alloy
 Shield plating: Nickel
 Contact plating: Gold 6 micro-inches min. In contact area.
4. Wave peak temperature: 260°C, 5Sec.
5. Support Power over Ethernet (PoE).
6. Designed to handle 350mA DC for PoE.



X:X	±0.20	APPD:	LINK-PP INT'L TECHNOLOGY CO., LIMITED
X:XX	±0.10	CHKD:	
X:XXX	±0.05	DR: TOM	TITLE: RJ45 Connector With 10/100 Base-TX Integrated Magnetic For PoE Application
ANGLES	±1°	UNIT: mm	PART NO.: LPJ46297BDNL
	SCALE: 2/1	SHEET: 2/2	REV: A DWG: LP08070211